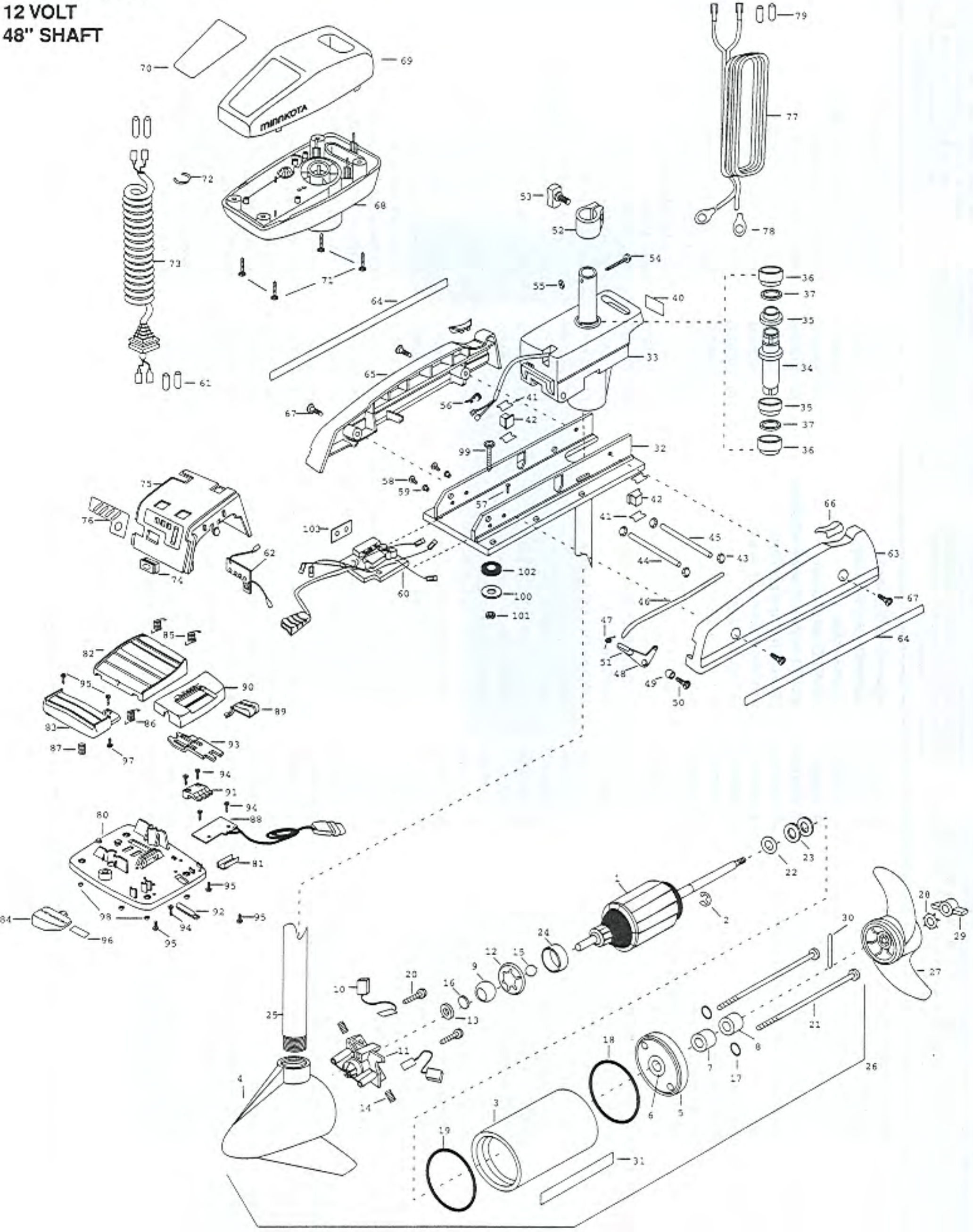


POWERDRIVE PRO 38
38 LBS. THRUST
12 VOLT
48" SHAFT



In the U.S.A., replacement parts may be ordered directly from MINN KOTA Parts Dept., Jane, Mankato, Minnesota 56001. In Canada, parts may be ordered from any of the Canadian Authorized Service Centers shown on the enclosed list. Be sure to provide the model and SERIAL numbers of your motor when ordering parts. Please use the correct part numbers from the parts list. Payment for any parts ordered from the MINN KOTA parts department, may be by cash, personal check, Discover Card MasterCard or VISA. To order, call 1-800-227-6433 or FAX 1-800-527-4464.

Fuera de los Estados Unidos, consultar la lista anexa para ubicar el Centro de servicio autorizado MINN KOTA. No dejar de incluir el número del MODELO y el número de SERIE del motor para el cual se solicitan las piezas. Usar siempre los números de pieza correctos indicados en la lista de piezas.

Hors de États-Unis, voir la liste ci-jointe pour le Centre de Service Agréé MINN KOTA le plus proche. Lors d'une commande, ne pas oublier de fournir le numéro de modèle et le numéro de série du moteur. Toujours mentionner le numéro de pièce exact figurant sur la liste des pièces de rechange.

Fora da América do Norte, consultar a lista anexa para identificar o Centro de Serviço Autorizado MINN KOTA. Não deixe de incluir o número do MODELO e o número da SÉRIE do seu motor ao pedir peças. Sempre use os números corretos das peças da lista de peças.

1	2-100-178	ARM ASSEMBLY 12V 3.25	*35	2307304	BUSHING- INNER [2.EA]	71	2012100	SCREW-8-18 X 5/8 [4.EA]
2	788-015	RETAINING RING	*36	2307305	BUSHING- OUTER [2.EA]	72	2303005	PIG RING
3	431-079	HOUSING ASSEMBLY CENTER 3.25 TXT	*37	2304603	O-RING [2.EA]	73	2301211	COIL CORD-W/STRAIN RELIEF
4	421-132	HOUSING BRUSH END 3.25 TXT	38	2302221	DRIVE HOUSING GEAR	74	2302920	GROMMET-LEADWIRE
5	2-400-124	PLAIN END HOUSING ASSEMBLY	39	2307045	MOTOR-HIGH SPD DRIVE HOUSING	75	2306538	COVER-SPD CONTROL
6	144-049	FLANGE BEARING (SERVICE ONLY)	40	2305519	DECAL-STEERING MOTOR	76	2306607	DECAL BATTERY GAUGE
7	880-003	SEAL	41	2305110	PAD-PIVOT SUPPORT [4.EA]	77	2090601	LEADWIRE 10GA 44' ASSEMBLY
8	880-006	SEAL WITH SHIELD	42	2305101	PAD-PIVOT [2.EA]	78	2020700	RING TERMINAL [2.EA]
9	144-050	BEARING - SPHERICAL	43	2013100	NUT-SPEED [4.EA]	79	2065400	WIRE INSULATOR-LARGE 1-3/4 [2.EA]
10	188-052	BRUSH ASSEMBLY [2. EA]	44	2300500	PIN-LATCH	■	2774700	FOOT PEDAL ASSEMBLY INCLUDES 80-97
11	737-031	BRUSH PLATE W/HOLDER 3.25 ASSEMBLY INCLUDES 9,11,12,13	45	2300510	PIN-PIVOT	80	2304511	FOOT PEDAL-BASE
12	784-036	BEARING RETAINER	46	2303610	ROD-RELEASE	81	2308500	WEAR PLATE
13	991-025	WASHER - FELT	47	2302700	SPRING-RELEASE LEVER	82	2304516	FOOT PEDAL-UPPER
14	975-032	SPRING - COMPRESSION	48	2303710	LEVER-RELEASE	83	2304520	FOOT PEDAL-LOWER
15	116-020	BALL - STEEL	49	2301700	SPACER-RELEASE LEVER	84	2307210	LEVER MOM/CON
16	303-039	THRUST DISC - METAL	50	2303430	SCREW- 1/4-20 X 5/8	85	2302730	SPRING-LONG-UPPER PEDAL [2.EA]
17	701-007	O-RING [2. EA]	51	2300101	RELEASE-KNOB	86	2302731	SPRING-SHORT-UPPER PEDAL
18	701-039	O-RING MK406460	52	2031521	COLLAR- DRIVE W/INSERT	87	2302732	SPRING-LOWER PEDAL
19	701-041	O-RING	53	2011365	SCREW-COLLAR W/KNOB	88	2304012	CNTRL BRD ASSEMBLY FP
20	830-001	SCREW - SELF-THREAD 8-32 X 1.7 [2.EA]	54	2033400	SCREW-10-24 X 1-3/4	89	2300120	KNOB-SPEED SELECTOR
21	830-078	THRU BOLT 8-32 X 8.96 [2.EA]	55	2013110	NUT-HEX	90	2300121	HOUSING-SPEED SELECTOR
22	990-067	WASHER - STEEL THRUST	56	2302935	STRAIN RELIEF-DRIVE HOUSING	91	2302840	ACTUATOR-BOARD
23	990-070	WASHER - NYLATRON [2.EA]	57	2332100	SCREW-8-32 X 3/8	92	2302841	ACTUATOR-MOM/CON
24	725-033	BRUSH RETENTION	58	2332101	SCREW-8-32 X 1/2 [2.EA]	93	2302842	ACTUATOR-STEERING)
25	2032054	TUBE 48"	59	2301710	WASHER-INSUL. TRANSFER BAR [2.EA]	94	2302100	SCREW-6-20 X 1/2 [5.EA]
26	2069043	MOTOR ASSEMBLY 12V 3.25 VARS TXT	60	2304014	CNTRL BOARD ASSEMBLY	95	2372100	SCREW-8-18 X 5/8 [5.EA]
27	1378126	PROPELLER KIT INCL 26,27,28,30	61	2305400	SHRINK TUBE-3/8 OD [4.EA]	96	2266610	DECAL-ON / OFF SWITCH
28	2051700	LOCKWASHER-PROP	62	2034037	BATTERY METER- 12V	97	2335130	BUMPER- ACTUATOR
29	2053100	NUT-PROP	63	2993806	SIDEPLATE (LEFT) W/REST PAD	98	2994807	BAG ASSEMBLY- (4 RUBBER BUMPERS)
30	2092600	PIN-DRIVE	64	2305545	DECAL SIDEPLATE [2.EA]	■	2994803	BAG ASSY- (BOLTS, NUTS, WASHERS)
31	2006603	DECAL- LOWER UNIT WHITE	65	2993906	SIDEPLATE (RIGHT) W/REST PAD	*99	2153501	BOLT-MOUNTING- STGD [4. EA]
32	2301912	BASE MACHINED	66	2305150	REST PAD	*100	2151726	WASHER-STANDARD 5/16 [4. EA]
33	2301842	DRIVE HOUSING	67	2303430	SCREW-1/4-20 X 5/8 [4.EA]	*101	2153100	NUT-MOUNTING [4. EA]
34	2302010	DRIVE HOUSING OUTPUT SHAFT	68	2302512	CONTROL BOX	*102	2301720	WASHER-MOUNTING RUBBER [6. EA]
■	2882011	OUTPUT SHAFT/ BUSHING KIT (INCLUDES 34,35,36,37)	69	2300217	COVER- CONTROL BOX BLACK PD	103	2305141	INSULATING PAD
			70	2305647	DECAL-COVER 38PD			

* This item is part of an assembly. It cannot be sold separately due to machining and /or assembly that is required.

Wiring Diagrams

765MXT, 40PD, 44PD, 50PD

