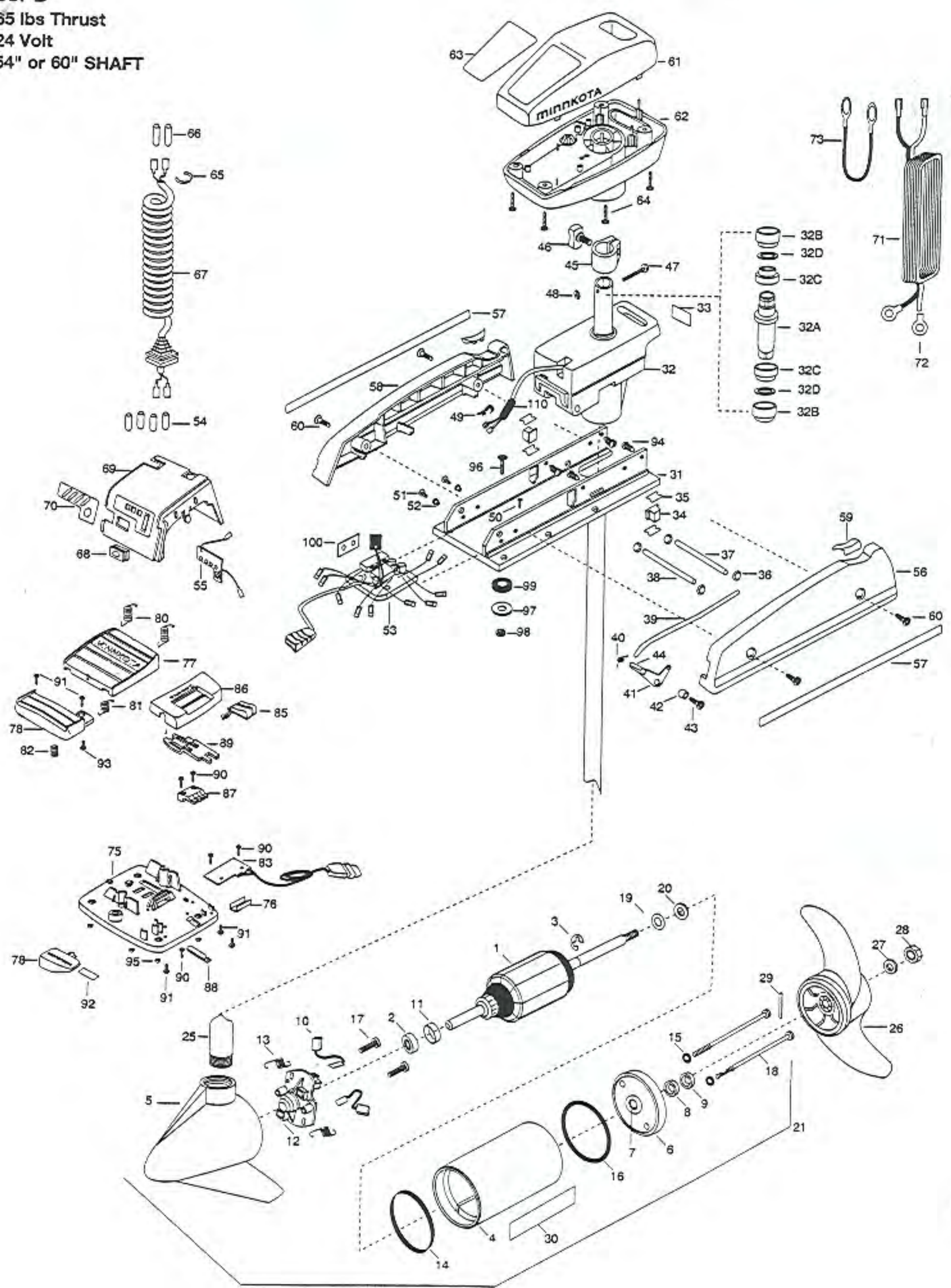


65PD  
 65 lbs Thrust  
 24 Volt  
 54" or 60" SHAFT



In the U.S.A., replacement parts may be ordered directly from MINN KOTA Parts Dept., JWA Marine, 706 110th St., Mankato, Minnesota 56001. In Canada, parts may be ordered from any of the Canadian Authorized Service Centers shown on the enclosed list. Be sure to provide the MODEL and SERIAL numbers of your motor when ordering parts. Please use the correct part numbers from the parts list. Payment for any parts ordered from the MINN KOTA parts department, may be by cash, personal check, Discover Card MasterCard or VISA. To order, call 1-800-227-6433 or FAX 1-800-527-4464.

Fuera de los Estados Unidos, consultar la lista anexa para ubicar el Centro de Servicio Autorizado MJNN KOTA. No dejar de incluir el número del MODELO y el número de SERIE del motor para el cual se solicitan las piezas. Usar siempre los números de pieza correctos indicados en la lista de piezas.

Hors de États-Unis, voir la liste ci-jointe pour le Centre de Service Agréé MINN KOTA le plus proche. Lors d'une commande, ne pas oublier de fournir la numéro de modèle et le numéro de série du moteur. Toujours mentionner le numéro de pièce exact figurant sur la liste des pièces de rechange.

Fora da América do Norte, consultar a lista anexa para identificar o Centro de Serviço Autorizado MINN KOTA. Não deixe de incluir o número do MODELO e o número de SÉRIE do seu motor ao pedir peças. Sempre use os números corretos das peças da lista de peças.

1	2-100-009	ARMATURE ASSEMBLY	32E	2307045	MOTOR- DRIVE HOUSING HIGH SPD	67	2301232	COIL CORD W/STRAIN RELIEF 54"
2	140-010	BALL BEARING	33	2305519	DECAL-STEERING MOTOR		2301233	COIL CORD W/STRAIN RELIEF 60"
3	788-015	RETAINING RING	34	2305110	PAD-PIVOT SUPT (4.EA)	68	2302920	GROMMET -LEADWIRE/SP.COVER
4	431-005	CENTER HOUSING ASSEMBLY	35	2305101	PIVOT PAD [2.EA]	69	2306538	COVER-SPEED CONTROL
5	421-065	HOUSING BRUSH END 3.62 TXT	36	2013100	NUT-SPEED [4.EA]	70	2306607	DECAL, BATTERY GAUGE
6	2-400-101	PLAIN END HOUSING ASSEMBLY	37	2300500	PIN-LATCH	71	2090601	LEADWIRE 10GA 44"
7	144-049	BEARING - FLANGE (SERVICE ONLY)	38	2300510	PIN-PIVOT	72	2020700	TERMINAL RING [2.EA]
8	880-003	SEAL	39	2303610	ROD-RELEASE	73	2090620	CONNECTOR CABLE- (24 VOLT)
9	880-006	SEAL WITH SHIELD	40	2302700	SPRING-RELEASE LEVER	74	2774700	FOOT PEDAL ASSEMBLY
10	188-036	BRUSH ASSEMBLY [2.EA]	41	2303710	LEVER-RELEASE	75	2304511	FOOT PEDAL BASE
11	725-050	BRUSH RETENTION- PAPER TUBE	42	2301700	SPACER-RELEASE LEVER	76	2308500	WEAR PLATE FOOT PDL
12	738-036	BRUSH PLATE WHOLDER	43	2303430	SCREW-1/4-20 X 5/8	77	2304516	FOOT PEDAL-UPPER
13	975-040	SPRING - TORSION [2.EA]	44	2300101	RELEASE-KNOB	78	2304520	FOOT PEDAL-LOWER
14	337-036	GASKET	45	2031521	COLLAR DRIVE (W/INSERT)	79	2307210	LEVER MOM/CON
15	701-008	O-RING, THRU-BOLT [2.EA]	46	2011365	SCREW-COLLAR/NEW KNOB	80	2302730	SPRING-LONG-UPPER PEDAL [2.EA]
16	701-081	O-RING	47	2033400	SCREW-10-24 X 1-3/4	81	2302731	SPRING-SHORT-UPPER PEDAL
17	830-007	SCREW-8-32 [2.EA]	48	2013110	NUT-HEX- 10-24	82	2302732	SPRING-LOWER PEDAL
18	830-008	THRU-BOLT 10-32 X 9.2 [2.EA]	49	2302935	STRAIN RELIEF-DR. HOUSING	83	2304012	CONTROL BOARD ASSEMBLY -FT PDL
19	990-067	WASHER- STEEL THRUST	50	2332100	SCREW-8-32 X 3/8	85	2300120	KNOB-SPEED SELECTOR
20	990-070	WASHER - NYLATRON	51	2332101	SCREW-8-32 X 1/2 [2.EA]	86	2300121	HOUSING SPEED SELECTOR
21	2098032	MOTOR ASSEMBLY 24V FW 65.5" LDS	52	2301710	WASHER-INSUL. (TRANSF.BAR) [2.EA]	87	2302840	ACTUATOR-BOARD
25	2032055	TUBE-CARBON COMPOSITE 54"	53	2304035	CTRL BOARD ASSEMBLY-24V PWR DRIVE	88	2302841	ACTUATOR-MOM/CON
	2032080	TUBE-CARBON COMPOSITE 62"	54	2305400	SHRINK TUBE-3/8 OD [4.EA]	89	2302842	ACTUATOR-STEERING
26	1378122	PROPELLER KIT (26-29)	55	2034038	BATTERY METER - 24 VOLT	90	2302100	SCREW-6-20 X 1/2 THD [5.EA]
27	2151726	WASHER- 5/16 SS	56	2993806	SIDEPLATE(LEFT)W/REST PAD	91	2372100	SCREW-8-18 X 5/8 THD [5.EA]
28	2053101	NUT-PROP NYLOC	57	2305560	DECAL SIDEPLATE-GOLD [2.EA]	92	2266610	DECAL-ON/OFF SWITCH
29	2092600	PIN-DRIVE	58	2993906	SIDEPLATE (RIGHT) W/REST PAD	93	2335130	BUMPER ACTUATOR
30	2006603	DECAL-LWR UN WHITE	59	2305150	REST PAD	94	2301701	SPACER DRIVE HOUSING
31	2301912	BASE MACHINED	60	2303430	SCREW-1/4-20 X 5/8 [4.EA]	95	2994807	BAG ASSEMBLY -(4 RUBBER BUMPERS)
32	2301842	DRIVE HOUSING	61	2300215	COVER -CONTROL BOX	■	2994803	BAG ASSEMBLY- INCL. 96,97,98, 99
■	2882011	BUSHING/ OUTSHAFT KIT (INCLUDES 32A,32B,32C)	62	2302512	CONTROL BOX	*96	2153501	BOLT-MOUNTING-3500 W/STG [4.EA]
*32A	2302010	DRIVE HOUSING OUTPUT SHAFT	63	2305629	DECAL -COVER 65PD	*97	2151726	WASHER-5/16 [4.EA]
*32B	2307304	BUSHING- INNER [2.EA]	64	2012100	SCREW-8-18 X 5/8 [4.EA]	*98	2153100	NUT-5/16-18 MOUNTING [4.EA]
*32C	2307305	BUSHING- OUTER [2.EA]	65	2303006	RING -PIG	*99	2301720	WASHER-MOUNTING RUBBER [6.EA]
32D	2304603	O-RING [2.EA]	66	2065400	WIRE INSULATOR -LGE 1-3/4 [2.EA]	100	2315105	INSULATING PAD

65 PD

This item is part of an assembly. This item cannot be sold separately due to machining and /or assembly that is required.

# 724, 60PD, 64PD, 65PD

