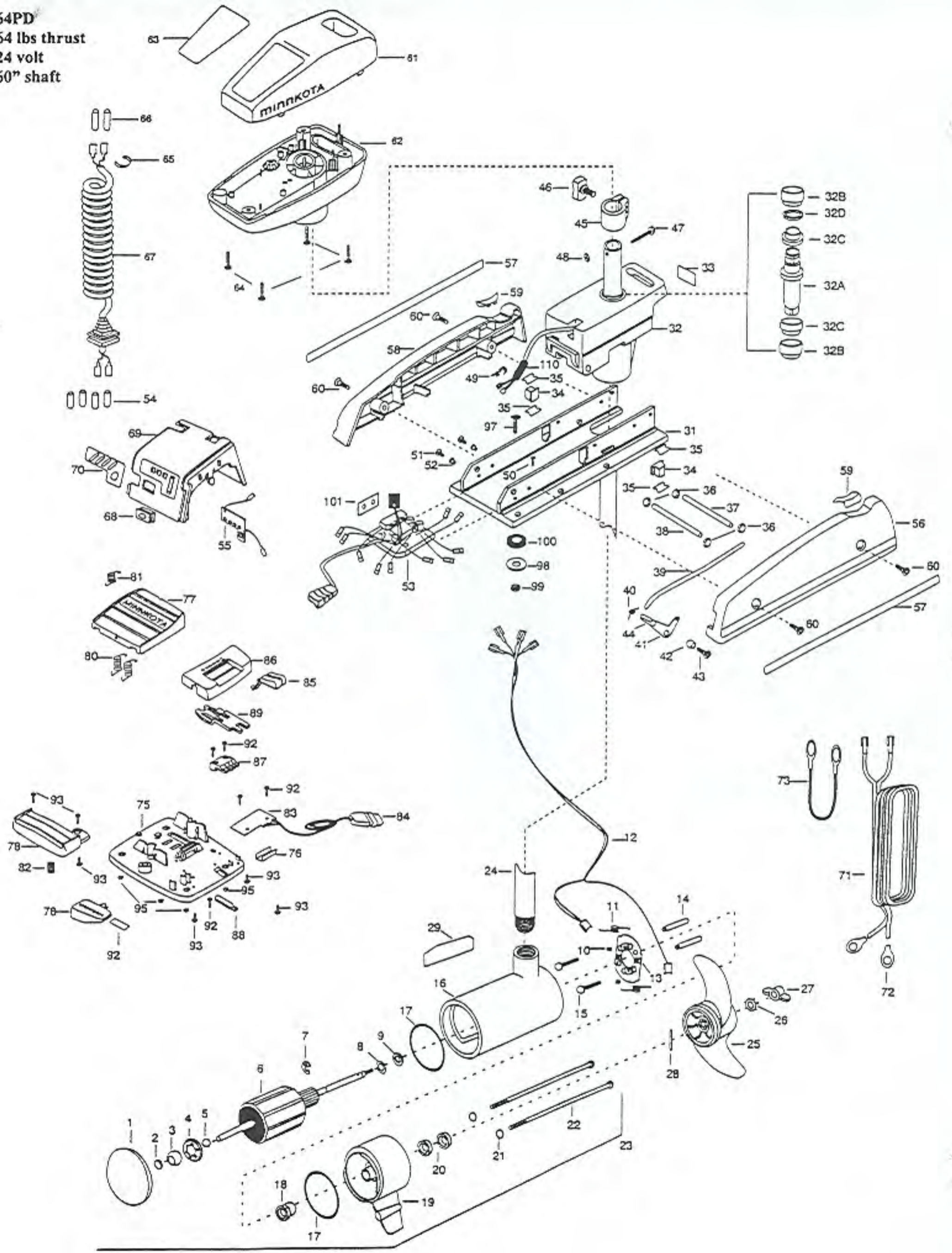


64PD
64 lbs thrust
24 volt
60" shaft



JWA Marine, 708 Holly Lane, Mankato, Minnesota 56001. In Canada, parts may be ordered from any of the Canadian Authorized Service Centers shown on the enclosed list. Be sure to provide part and serial numbers of your motor when ordering parts. Please use the correct part numbers from the parts list. Payment for any parts ordered from the MINN KOTA parts department, may be by cash, personal check, Discover Card MasterCard or VISA. To order, call 1-800-227-8433 or FAX 1-800-527-4464.

Fuera de los Estados Unidos, consultar la lista anexa para ubicar el Centro de servicio autorizado MINN KOTA. Debe incluir el número del MODELO y el número de SERIE del motor para el cual se solicitan las piezas. Usar siempre los números de pieza correctos indicados en la lista de piezas.

Hors de États-Unis, voir la liste ci-jointe pour le Centre de Service Agréé MINN KOTA le plus proche. Lors d'une commande, ne pas oublier de fournir le numéro de modèle et le numéro de série du moteur. Toujours mentionner le numéro de pièce exact figurant sur la liste des pièces de rechange.

Fora da América do Norte, queira consultar a lista anexa para identificar o Centro de Serviço Autorizado MINN KOTA. Não deixe de incluir o número do MODELO e o número de SÉRIE do seu motor ao pedir peças. Sempre use os números corretos das peças da lista de peças.

1	409024	PLAIN END HOUSING ASSEMBLY	32E	2887301	BUSHING KIT (INCLUDES 32B, 32C, 32D)	66	2065400	WIRE INSULATOR - LGE 1-3/4 (2 REQ'D)
2	406060	THRUST DISC (METAL)	32F	2302221	DRIVE HOUSING GEAR	67	2301233	COIL CORD W/STRAIN RELIEF
3	409600	BEARING - SPHERICAL	*32G	2307045	DRIVE HOUSING MOTOR ASSEMBLY	68	2302920	GROMMET - LEADWIRE/SP. COVER
4	409301	BEARING RETAINER	33	2305519	DECAL - STEERING MTR	69	2306538	COVER-SPEED CONTROL
5	405010	PRECISION BALL	34	2305110	PAD-PIVOT SUPT (4 REQ'D)	70	2306607	DECAL, BATTERY GAUGE
6	410206	ARMATURE	35	2305101	PIVOT PAD (2 REQ'D)	71	2090601	LEADWIRE 10GA 44"
7	409300	E-RING-ARMATURE	36	2013100	NUT-SPEED (4 REQ'D)	72	2020700	TERMINAL RING (2 REQ'D)
8	409170	WASHER - STEEL THRUST	37	2300500	PIN-LATCH	73	2090620	CONNECTOR CABLE- (24 VOLT)
9	409171	WASHER - NYLATRON	38	2300510	PIN-PIVOT	74	2994700	FOOT PEDAL ASSEMBLY
10	409343	BRUSH SET SCREW (2 REQ'D)	39	2303610	ROD-RELEASE	75	2304511	FOOT PEDAL BASE-CORDLESS
11	408083	SPRING - BRUSH (2 REQ'D)	40	2302700	SPRING-RELEASE LEVER	76	2308500	WEAR PLATE FOOT PDL
12	409078	BRUSH ASSEMBLY	41	2303710	LEVER-RELEASE	77	2304516	FOOT PEDAL-UPPER
13	409402	PLATE - BRUSH	42	2301700	SPACER-RELEASE LEVER	78	2304520	FOOT PEDAL- LOWER
14	405151	SPACER - BRUSH PLATE (2 REQ'D)	43	2303430	SCREW-1/4-20 X 5/8	79	2307210	LEVER MOM/CON
15	405341	SCREW - BRUSH PLATE (2 REQ'D)	44	2300101	RELEASE-KNOB	80	2302730	SPRING-LONG-UPPER PEDAL (2 REQ'D)
16	409257	CENTER HOUSING FIELD ASSEMBLY	45	2031521	COLLAR DRIVE (W/INSERT)	81	2302731	SPRING-SHORT-UPPER PEDAL
17	409460	O-RING (2 REQ'D)	46	2011365	SCREW-COLLAR/NEW KNOB	82	2302732	SPRING-LOWER PEDAL
18	409000	BEARING - FLANGE (SERVICE ONLY)	47	2033400	SCREW-10-24 X 1-3/4	83	2304012	CONTROL BOARD ASSEMBLY -FT PDL
19	409033	BRUSH END HOUSING ASSEMBLY	48	2013110	NUT-HEX	85	2300120	KNOB-SPEED SELECTOR
20	409461	SEAL (2 REQ'D)	49	2302935	STRAIN RELIEF-DR. HOUSING	*86	2300121	HOUSING SPEED SELECTOR
21	409462	O-RING -THRU BOLT (2 REQ'D)	50	2332100	SCREW-8-32 X 3/8	87	2302840	ACTUATOR-BOARD
22	409352	THRU BOLT (2 REQ'D)	51	2332101	SCREW-8-32 X 1/2 (2 REQ'D)	88	2302841	ACTUATOR-MOM/CON
23	2319050	MOTOR ASSEMBLY	52	2301710	WASHER-INSUL (TRANSF. BAR) (2 REQ'D)	89	2302842	ACTUATOR-STEERING
24	2032080	TUBE - CARBON COMPOSITE 62"	53	2304033	CTRL BOARD ASSEMBLY-24V PWR DRIVE	90	2302100	SCREW-6-20 X 1/2 THD (5 REQ'D)
25	2331120	PROPELLER (W. WEDGE)	54	2305400	SHRINK TUBE-3/8 OD (4 REQ'D)	91	2372100	SCREW-8-18 X 5/8 THD (5 REQ'D)
26	2091700	LOCKWASHER - PROP (LARGE)	55	2034038	BATTERY METER - 24 VOLT	92	2266610	DECAL-ON/OFF SWITCH
27	2093100	NUT - PROP (LARGE)	56	2993806	SIDEPLATE (LEFT) W/REST PAD	93	2335130	BUMPER ACTUATOR
28	2092600	PIN -DRIVE	57	2305560	DECAL SIDEPLATE-GOLD (2 REQ'D)	94	2994807	BAG ASSEMBLY -(RUBBER BUMPERS)
29	2006609	DECAL, MOTOR - LWR UN STGR/LNG	58	2993906	SIDEPLATE (RIGHT) W/REST PAD	*95	2305131	RUBBER BUMPER (4 REQ'D) ORDER 96
30	2991933	BASE ASSEMBLY (INCL. 31 - 43)	59	2305150	REST PAD	96	2994803	BAG ASSEMBLY- (BOLTS, NUTS, WASHERS)
31	2301912	BASE MACHINED	60	2303430	SCREW-1/4-20 X 5/8- (4 REQ'D)	*97	2153501	BOLT-MOUNTING-3500 W/STG (4 REQ'D)
32	2301842	DRIVE HOUSING	61	2300215	COVER - CONTROL BOX	*98	2151726	WASHER-5/16 (4 REQ'D)
32A	2032016	DRIVE HOUSING SLEEVE	62	2302512	CONTROL BOX	*99	2153100	NUT-5/16-18 MOUNTING (4 REQ'D)
*32B	2307302	BUSHING - INSIDE (2 REQ'D) ORDER 32E	63	2305624	DECAL - COVER 64PD	*100	2301720	WASHER-MOUNTING RUBBER (6 REQ'D)
*32C	2307303	BUSHING - OUTSIDE (2 REQ'D) ORDER 32E	64	2012100	SCREW-8-18 X 5/8 (4 REQ'D)	101	2315105	INSULATING PAD
*32D	2304600	O-RING ORDER 32E	65	2303005	RING -PIG			

* This item is part of an assembly. This item cannot be sold separately due to machining and /or assembly that is required.

724, 60PD, 64PD, 65PD

