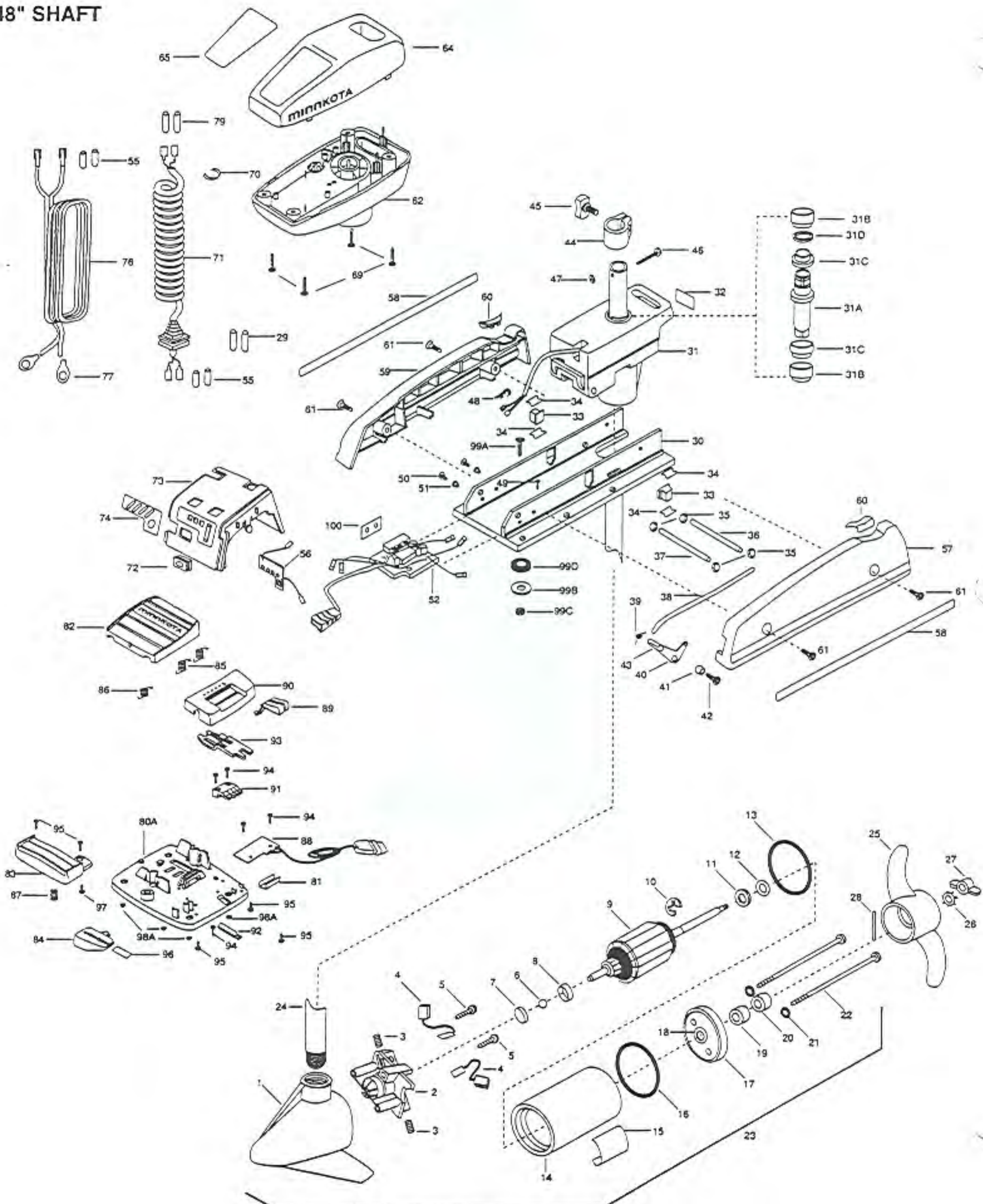


765 MXTA  
36 LBS. THRUST  
12 VOLT  
48" SHAFT



JWA MARINE, 708 Holly Lane, Mankato, Minnesota 56001. In Canada, parts may be ordered from any of the Canadian Authorized Service Centers shown on the enclosed list. Be sure to provide the part number and serial numbers of your motor when ordering parts. Please use the correct part numbers from the parts list. Payment for any parts ordered from the MINN KOTA parts department, may be by cash, personal check, Discover Card MasterCard or VISA. To order, call 1-800-227-8433 or FAX 1-800-527-4484.

Fuera de los Estados Unidos, consultar la lista anexa para ubicar el Centro de servicio autorizado MINN KOTA. No olvidar de incluir el número del MODELO y el número de SERIE del motor para el cual se solicitan las piezas. Usar siempre los números de pieza correctos indicados en la lista de piezas.

Hors de États-Unis, voir la liste ci-jointe pour le Centre de Service Agréé MINN KOTA le plus proche. Lors d'une commande, ne pas oublier de fournir le numéro de modèle et le numéro de série du moteur. Toujours mentionner le numéro de pièce exact figurant sur la liste des pièces de rechange.

Fora da América do Norte, queira consultar a lista anexa para localizar o Centro de Serviço Autorizado MINN KOTA. Não deixe de incluir o número do MODELO e o número de SÉRIE do seu motor ao pedir peças. Sempre use os números corretos das peças da lista de peças.

1	406029	BRUSH END HOUSING	31F	2302221	DRIVE HOUSING GEAR	72	2302920	GROMMET-LEADWIRE
2	406405	BRUSH PLATE ASSEMBLY	*31G	2307030	DRIVE HOUSING MOTOR ASSEMBLY	73	2306538	COVER-SPD CONTROL
3	406081	BRUSH SPRING (2 REQ'D)	32	2305519	DECAL-STEERING MOTOR	74	2306607	DECAL BATTERY GAUGE
4	406072	BRUSH ASSEMBLY (2 REQ'D)	33	2305110	PAD-PIVOT SUPPORT (4 REQ'D)	76	2090601	LEADWIRE 10GA 44" ASSEMBLY
5	406341	BRUSH PLATE SCREW (2 REQ'D)	34	2305101	PAD-PIVOT (2 REQ'D)	77	2020700	RING TERMINAL (2 REQ'D)
6	403010	THRUST BALL	35	2013100	NUT-SPEED (4 REQ'D)	79	2065400	WIRE INSULATOR-LARGE 1-3/4 (2 REQ'D)
7	403050	THRUST DISC	36	2300500	PIN-LATCH	80	2994700	FOOT PEDAL ASSY- (INCLUDES ITEMS 80-97)
8	406090	BRUSH HOLDER	37	2300510	PIN-PIVOT	80A	2304511	FOOT PEDAL-BASE
9	405205	ARMATURE ASSEMBLY	38	2303610	ROD-RELEASE	81	2308500	WEAR PLATE
10	405300	E-RING	39	2302700	SPRING-RELEASE LEVER	82	2304516	FOOT PEDAL-UPPER 765T
11	408170	THRUST WASHER- STEEL	40	2303710	LEVER-RELEASE	83	2304520	FOOT PEDAL-LOWER 765T
12	405171	THRUST WASHER- NYLATRON	41	2301700	SPACER-RELEASE LEVER	84	2307210	LEVER MOM/CON
13	403460	O-RING	42	2303430	SCREW- V4-20 X 5/8	85	2302730	SPRING-LONG-UPPER PEDAL (2 REQ'D)
14	405259	CENTER SECTION W/MAGNETS	43	2300101	RELEASE-KNOB	86	2302731	SPRING-SHORT-UPPER PEDAL
15	2006603	DECAL -MOTOR	44	2031521	COLLAR- DRIVE W/INSERT	87	2302732	SPRING-LOWER PEDAL
16	406460	O-RING	45	2011365	SCREW-COLLAR W/KNOB	88	2304012	CONTROL BOARD ASSEMBLY-FOOT PEDAL
17	406035	PLAIN ENDBELL	46	2033400	SCREW-10-24 X 1-3/4	89	2300120	KNOB-SPEED SELECTOR
18	406600	FLANGE BEARING (SERVICE CENTER ONLY)	47	2013110	NUT-HEX 10-24	90	2300121	HOUSING-SPEED SELECTOR
19	406461	SEAL	48	2302935	STRAIN RELIEF-DRIVE HOUSING	91	2302840	ACTUATOR-BOARD
20	406471	SEAL- CUP	49	2332100	SCREW-8-32 X 3/8	92	2302841	ACTUATOR-MOM/CON
21	401462	O-RING - THRU BOLT (2 REQ'D)	50	2332101	SCREW-8-32 X 1/2 (2 REQ'D)	93	2302842	ACTUATOR-STEERING
22	405352	THRU BOLT (2 REQ'D)	51	2301710	WASHER-INSUL. TRANSFER BAR (2 REQ'D)	94	2302100	SCREW-6-20 X 1/2 (5 REQ'D)
23	2069043	MOTOR ASSEMBLY 12V 3.25	52	2304014	CNTRL BOARD ASSEMBLY (INCLUDES 100)	95	2372100	SCREW-8-18 X 5/8 (5 REQ'D)
24	2032054	TUBE -COMPOSITE 48"	55	2305400	SHRINK TUBE-3/8 OD (4 REQ'D)	96	2266610	DECAL-ON / OFF SWITCH
25	2061125	PROPELLER (W.WEDGE)	56	2034037	BATTERY METER- ELECTRIC 12 VOLT	97	2335130	BUMPER- ACTUATOR
26	2051700	LOCKWASHER-PROP MEDIUM	57	2993806	SIDEPLATE (LEFT) W/REST PAD	98	2994807	BAG ASSEMBLY- (RUBBER BUMPERS)
27	2053100	NUT-PROP	58	2305545	DECAL SIDEPLATE (2 REQ'D )	*98A	2305131	RUBBER BUMPER (4 REQ'D)
28	2092600	PIN-DRIVE	59	2993906	SIDEPLATE (RIGHT) W/REST PAD	99	2994803	BAG ASSY- (BOLTS, NUTS, WASHERS)
29	2991935	BASE ASSEMBLY (700s)	60	2305150	REST PAD	*99A	2153501	BOLT-MOUNTING- STGD (4 REQ'D)
*30	2301912	BASE MACHINED	61	2303430	SCREW-1/4-20 X 5/8 (4 REQ'D)	*99B	2151726	WASHER-STANDARD 5/16 (4 REQ'D)
31	2301834	DRIVE HOUSING -ALL ALUMINUM	62	2302512	CONTROL BOX	*99C	2153100	NUT-MOUNTING (4 REQ'D) (4 REQ'D)
2302010 31A	2032904	DRIVE HOUSING SLEEVE	64	2300201	CONTROL BOX COVER -RED	*99D	2301720	WASHER-MOUNTING RUBBER (6-REQ'D)
*31B	2307302	BUSHING- INSIDE (2 REQ'D) ORDER 31E	65	2305609	DECAL-COVER 765MXT	100	2305141	INSULATING PAD
*31C	2307303	BUSHING- OUTSIDE (2 REQ'D) ORDER 31E	69	2012100	SCREW-8-18 X 5/8 (4 REQ'D)			
*31D	2304600	O-RING ORDER 31E	70	2303005	PIG RING -DH18			
31E	2887301	BUSHING KIT (INCLUDES 31B, 31C, 31D)	71	2301211	COIL CORD-W/STRAIN RELIEF 48"			

765MXT

\* This item is part of an assembly. This item cannot be sold separately due to machining and /or assembly that is required.

P/N 2304954 REV.J 5-99

PARISLIST

# Wiring Diagrams

765MXT, 40PD, 44PD, 50PD

