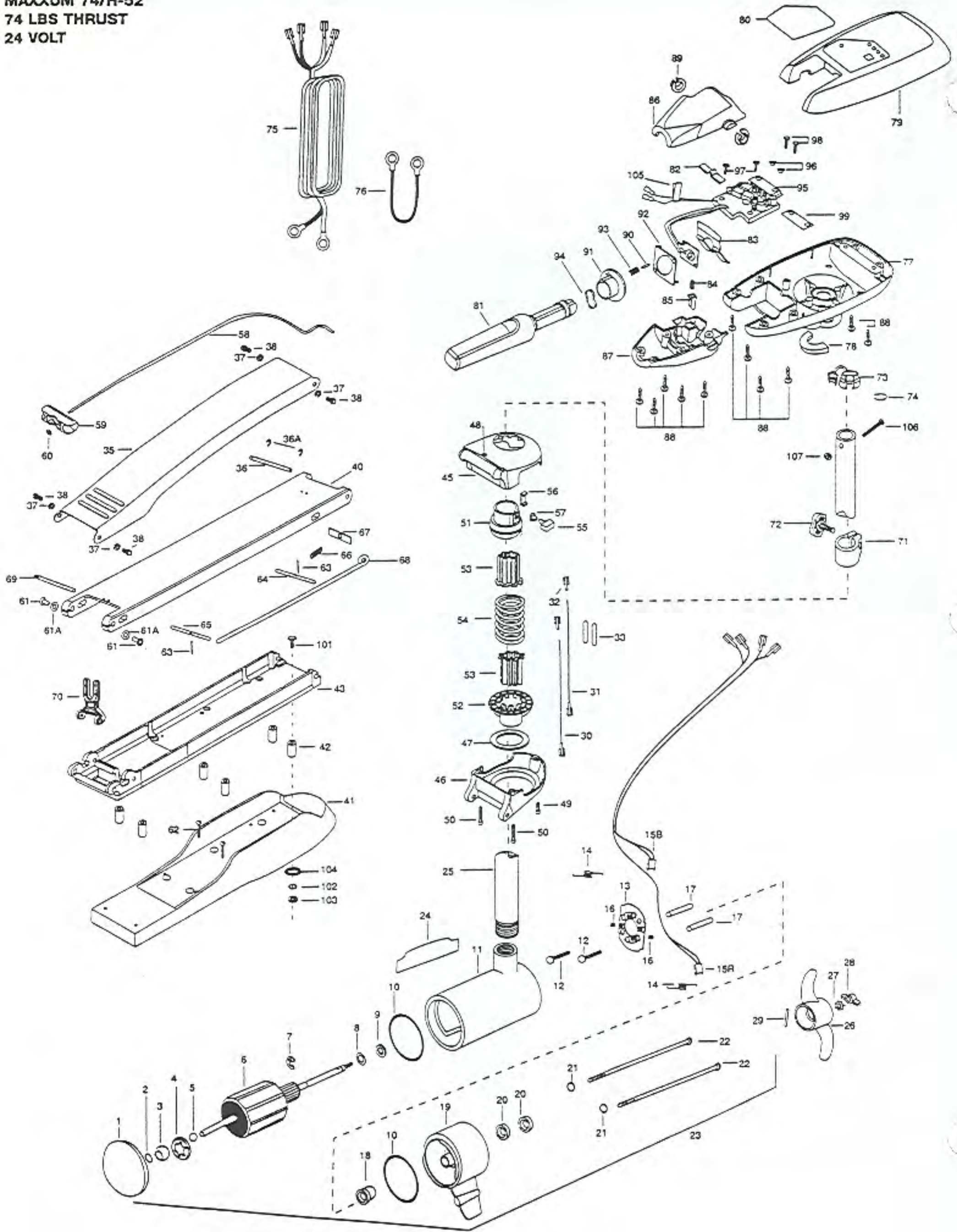


MAXXUM 74/H-52
74 LBS THRUST
24 VOLT



In the U.S.A., replacement parts may be ordered directly from MINN KOTA Parts Dept., JWA MARINE, 706 Highway 10, Mankato, Minnesota 56001. In Canada, parts may be ordered from any of the Canadian Authorized Service Centers shown on the enclosed list. Be sure to provide the MODEL and SERIAL numbers of your motor when ordering parts. Please use the correct part numbers from the parts list. Payment for any parts ordered from the MINN KOTA parts department, may be by cash, personal check, Discover Card MasterCard or VISA. To order, call 1-800-227-6433 or FAX 1-800-527-4464.

Fuera de los Estados Unidos, consultar la lista anexa para ubicar el Centro de servicio autorizado MINN KOTA. No olvidar incluir el número del MODELO y el número de SERIE del motor para el cual se solicitan las piezas. Usar siempre los números de pieza correctos indicados en la lista de piezas.

Hors de États-Unis, voir la liste ci-jointe pour le Centre de Service Agréé MINN KOTA le plus proche. Lors d'une commande, ne pas oublier de fournir le numéro de modèle et le numéro de série du moteur. Toujours mentionner le numéro de pièce exact figurant sur la liste des pièces de rechange.

Fora da América do Norte, queira consultar a lista anexa para identificar o Centro de Serviço Autorizado MINN KOTA. Não deixe de incluir o número do MODELO e o número de SÉRIE do seu motor ao pedir peças. Sempre use os números corretos das peças da lista de peças.

1	409024	PLAIN ENDBELL	39	2771973	MOUNT- BOW ASSEMBLY (INCL. 35-43, AND 58-70)	75	2330600	LEADWIRE (10 GA-4) (RINGS)
2	406050	THRUST DISC				76	2340610	CONNECTOR CABLE- (12")
3	409600	SPHERICAL BEARING	40	2994307	LOWER ARM ASSEMBLY (INCL. 40, 58, 59, 60, 63, 64, 65, 66, 67, 68)	77	2062582	CONTROL BOX
4	409301	BEARING RETAINER				78	2061512	COLLAR-CONTROL BOX
5	405010	THRUST BALL- STEEL	41	2999266	MOTOR REST ASSEMBLY	79	2990294	CONTROL BOX COVER/DECAL ASSMBLY
6	410203	ARMATURE ASSEMBLY	42	2261505	SPACER- MOTOR REST (6 REQ'D)	80	2265535	DECAL COVER, MAXXUM 74/H
7	409300	E-RING	43	2771962	BOW PLATE W/ INSERT	81	2990914	HANDLE ASSEMBLY W/O U-JOINT
8	409170	THRUST WASHER- STEEL (AS REQ'D)	44	2771934	BOWGUARD ASSMBLY W/INSRT (INCL. 45, 46, 47, 48, 49, 50, 51, 52, 53, 54, 55, 56, 57)	82	2302742	SPRING-DETENT OFF
9	409171	THRUST WASHER- NYLON (AS REQ'D)				83	2302743	SPRING-DETENT, HANDLE-TILT
10	409460	O-RING (2 REQ'D)	*45	2991992	BRACKET BASE-TOP W/INSERT	84	2302745	SPRING-RELEASE BUTTON
11	409257	CENTER SECTION W/MAGNETS	*46	2991993	BRACKET BASE BOTTOM W/BEARING	85	2303720	RELEASE BUTTON-HANDLE
12	405341	BRUSH PLATE SCREW (2 REQ'D)	*47	2261531	BEARING- BOWGUARD	86	2060409	HANDLE (TOP HALF)
13	409402	BRUSH PLATE ASSEMBLY	*48	2232351	EYELET-ROPE	87	2060415	HANDLE (LOWER HALF)
14	406083	BRUSH SPRING (2 REQ'D)	*49	2263402	SCREW 1/4-20 X 3/4	88	2303412	SCREW-6-20 X 5/8 SELF TAP (11 REQ'D)
15B	409072	BRUSH ASSEMBLY- BLACK	*50	2263420	BOLT 1/4-20 X 2 (2 REQ'D)	89	2060005	BEARING-HANDLE PIVOT (2 REQ'D)
15R	409071	BRUSH ASSEMBLY- RED	*51	2261525	SPRING-SLEEVE UPPER	90	2302600	PIN-ACTUATOR
16	409343	BRUSH SET SCREW (2 REQ'D)	*52	2261535	SPRING SLEEVE LWR	91	2302850	ACTUATOR-CAM
17	405151	BRUSH PLATE SPACER (2 REQ'D)	*53	2264701	INSERT-TUBE (2 PER) (2 REQ'D)	92	2302851	ACTUATOR- FWD/REV
18	409000	FLANGE BEARING (SERVICE ONLY)	*54	2262704	SPRING, BOWGUARD	93	2302740	SPRING- (ACTUATOR)
19	409033	BRUSH END HOUSING	55	2011365	SCREW-COLLAR/NEW KNOB	94	2302741	SPRING-CAM
20	409461	SEAL (2 REQ'D)	56	2262800	TENSION BLOCK -ALUM	95	2344005	CONTROL BOARD ASSEMBLY
21	409462	O-RING- THRU BOLT (2 REQ'D)	*57	2263100	NUT-1/4-20 INSERT	96	2301710	WASNER-INSUL. (2 REQ'D)
22	409352	THRU BOLT (2 REQ'D)	58	2251601	ROPE (40"), MAXXUM MOUNT	97	2372100	SCREW-8-18 X 5/8 (2 REQ'D)
23	2317036	MOTOR ASSEMBLY (52")	59	2150400	PULL-GRIP	98	2301310	SCREW-8-18 X 1/2 (2 REQ'D)
24	2006601	DECAL--MAXXUM	60	2151700	WASHER-EYE SHAFT(.562 OD)	99	2365105	INSULATED PAD
25	2032081	TUBE-52"	61	2236000	BEARING NYLINER (2 REQ'D)	100	2994830	BAG ASSY-MAXXUM FRESNW
26	2331120	PROPELLER	61A	2261707	WASHER 3/8 X 1/2OD (2 REQ'D)	*101	2263431	SCREW 1/4-20 X 3.5 (6 REQ'D)
27	2091700	LOCKWASHER	62	2263434	SCREW-8-18 X 1 PPH SS (2 REQ'D)	*102	2261713	WASHER-1/4 FLAT (6 REQ'D)
28	2093100	NUT- PROP	63	2152610	SPRING-PIN (LOCKBAR) (2 REQ'D)	*103	2263103	NUT-1/4-20 NYLOCK JAM (6 REQ'D)
29	2092600	PIN- DRIVE	64	2233600	LOCK BAR- (FRONT)	*104	2301720	WASHER-MOUNTING RUBBER (6 REQ'D)
30	2030317	WIRE EXTENSION-18" - RED (2 REQ'D)	65	2233602	LOCK BAR- (REAR)	105	2305810	TAG- AIR SWITCH LEADS
31	2030316	WIRE EXTENSION-18" - BLACK (2 REQ'D)	66	2152700	SPRING- (LOCKBAR)	106	2033400	SCREW- 10-24 X 1-3/4
32	2030710	CONNECTOR- BUTT (4 REQ'D)	67	2262703	SPRING STOP- MAXXUM	107	2013110	NUT- HEX 10-24
33	2375400	SHRINK TUBE-1/4 X 1-3/4 (4 REQ'D)	68	2153603	EYE SHAFT 2LOCKBAR STD SS			
34	2771975	MOUNT, BOW ASSEMBLY COMPLETE	69	2260506	HINGE-PIN (HEADLESS) ZINC			
35	2264206	ARM- UPPER	70	2293810	YOKE, MAXXUM MOUNT			
36	2260513	HINGE PIN (MAX, A/T)- PLATED	71	2031520	COLLAR-DEPTH (W/O INSERT)			
36A	2263010	E-RING 3/8 DIA SHAFT (2 REQ'D)	72	2011365	SCREW-COLLAR/NEW KNOB			
37	2293501	BUSHING (4 REQ'D)	73	2332900	STRAIN RELIEF-COIL CORD			
38	2263500	BOLT, SHOULDER (4 REQ'D)	74	2303001	RING-PIG			

PARTS LIST

MAX 74/H - 52"

* This item is part of an assembly. This item cannot be sold separately due to machining and /or assembly that is required.

Maxxum Bowmount Series Wiring Diagrams

Max 74/H

