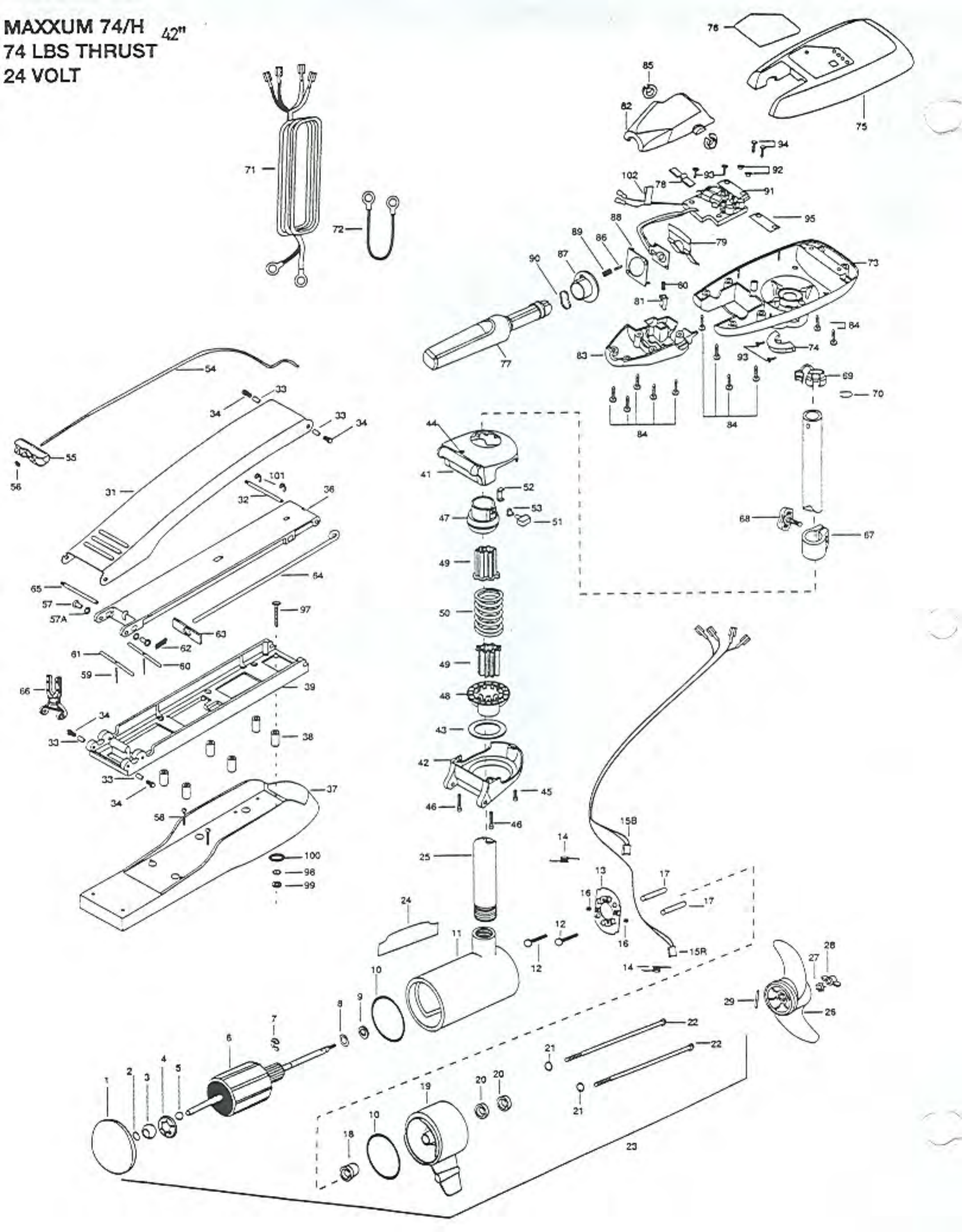


MAXXUM 74/H 42"  
74 LBS THRUST  
24 VOLT



In the U.S.A., replace parts may be ordered directly from MINN KOTA Parts Dept., JWA MARINE, 706 H... no, Mankato, Minnesota 56001. In Canada, parts may be ordered from any of th... nadian Authorized Service Centers shown on the enclosed list. Be sure to provide the MODEL and SERIAL numbers of your motor when ordering parts. Please use the correct part numbers from the parts list. Payment for any parts ordered from the MINN KOTA parts department, may be by cash, personal check, Discover Card MasterCard or VISA. To order, call 1-800-227-6433 or FAX 1-800-527-4464.

Fuera de los Estados Unidos, consultar la lista anexa para ubicar el o de servicio autorizado MINN KOTA. I... jar de incluir el número del MODELO y el número de SERIE del motor para el cual se solicitan las piezas. Usar siempre los números de pieza correctos indicados en la lista de piezas.

Hors de États-Unis, voir la liste ci-jointe pour le Centre de Service Agréé MINN KOTA le plus proche. Lors d'une commande, ne pas oublier de fournir le numéro de modèle et le numéro de série du moteur. Toujours mentionner le numéro de pièce exact figurant sur la liste des pièces de rechange.

Fora da América do Norte, queira consultar a lista anexa para id... ar o Centro de Serviço Autorizado M... OTA. Não deixa de incluir o número... MODELO e o número de SÉRIE do seu motor ao pedir peças. Sempre use os números corretos das peças da lista de peças.

1	409024	PLAIN ENDBELL	37	2999266	MOTOR REST ASSEMBLY	72	2340610	CONNECTOR CABLE- (12")
2	406050	THRUST DISC	38	2261505	SPACER- MOTOR REST (6 REQ'D)	73	2062582	CONTROL BOX
3	409600	SPHERICAL BEARING	39	2771962	BOW PLATE STD	74	2061510	COLLAR-CONTROL BOX
4	409301	BEARING RETAINER	40	<del>2091900</del>	BOWGUARD ASSEMBLY HAND CNTL (INCL 41-53)	75	2990294	CONTROL BOX COVER/DECAL ASSEMBLY
5	405010	BALL	*41	2991992	BRACKET BASE-TOP/ INSERT	76	2265535	DECAL COVER, MAXXUM 74/H
6	410203	ARMATURE ASSEMBLY	*42	2991993	BRACKET BOTTOM/ BEARING ASSEMBLY	77	2990915	HANDLE ASSEMBLY W/O U-JOINT
7	409300	E-RING	*43	2261531	BEARING - BOWGUARD	78	2302742	SPRING-DETENT OFF
8	409170	THRUST WASHER- STEEL (AS REQ'D)	*44	2232351	EYELET-ROPE	79	2302743	SPRING-DETENT, HANDLE-TILT
9	409171	THRUST WASHER- NYLON (AS REQ'D)	*45	2263402	SCREW 1/4-20 X 3/4	80	2302745	SPRING-RELEASE BUTTON
10	409460	O-RING (2 REQ'D)	*46	2263420	BOLT 1/4-20 X 2 (2 REQ'D)	81	2303720	RELEASE BUTTON-HANDLE
11	409257	CENTER SECTION W/MAGNETS	*47	2261525	SPRING-SLEEVE UPPER	82	2060411	HANDLE (TOP HALF)
12	405341	BRUSH PLATE SCREW (2 REQ'D)	*48	2261535	SPRING SLEEVE LWR	83	2060415	HANDLE (LOWER HALF)
13	409402	BRUSH PLATE ASSEMBLY	*49	2264701	INSERT-TUBE (2 PER) (2 REQ'D)	84	2303412	SCREW-6-20 X 5/8 SELF TAP (11 REQ'D)
14	406083	BRUSH SPRING (2 REQ'D)	*50	2262704	SPRING, BOWGUARD	85	2060005	BEARING-HANDLE PIVOT (2 REQ'D)
15B	409072	BRUSH ASSEMBLY- BLACK (42")	51	2011365	SCREW-COLLAR/NEW KNOB	86	2302600	PIN-ACTUATOR
15R	409071	BRUSH ASSEMBLY- RED (42")	52	2262800	TENSION BLOCK -ALUM	87	2302850	ACTUATOR-CAM
16	409343	BRUSH SET SCREW (2 REQ'D)	*53	2263100	NUT-1/4-20 INSERT	88	2302851	ACTUATOR- FWD/REV
17	405151	BRUSH PLATE SPACER (2 REQ'D)	54	2251601	ROPE (40') MAXXUM MOUNT	89	2302740	SPRING- (ACTUATOR)
18	409000	FLANGE BEARING	55	2150400	PULL-GRIP	90	2302741	SPRING-CAM
19	409033	BRUSH END HOUSING	56	2151700	WASHER-EYE SHAFT(.562 OD)	91	2344005	CONTROL BOARD ASSEMBLY
20	409461	SEAL (2 REQ'D)	57	2236000	BEARING NYLINER (2 REQ'D)	92	2301710	WASHER-INSUL (2 REQ'D)
21	409462	O-RING- THRU BOLT (2 REQ'D)	57A	2261707	WASHER- 3/8 X 1/2	93	2372100	SCREW-8-18 X 5/8 (4 REQ'D)
22	409352	THRU BOLT (2 REQ'D)	58	2373434	SCREW-8-18 X 1 (2 REQ'D)	94	2301310	SCREW-8-18 X 1/2 (2 REQ'D)
23	2317036	MOTOR ASSEMBLY (42")	59	2152610	SPRING-PIN (LOCKBAR) (2 REQ'D)	95	2365105	INSULATED PAD
24	2006601	DECAL--MAXXUM	60	2233600	LOCK BAR- (BOW MOUNT)	96	2994830	BAG ASSY-MAXXUM FRESHW
25	2032084	TUBE- COMPOSITE 43 3/4	61	2233602	LOCK BAR-REAR	*97	2263431	SCREW 1/4-20 X 3.5 (6 REQ'D)
26	2331120	PROPELLER	62	2152700	SPRING- (LOCKBAR)	*98	2261713	WASHER-1/4 FLAT (6 REQ'D)
27	2091700	LOCKWASHER	63	2262703	SPRING STOP	*99	2263103	NUT-1/4-20 NYLOCK JAM (6 REQ'D)
28	2093100	NUT- PROP	64	2153603	EYE SHAFT	*100	2301720	WASHER-MOUNTING RUBBER (6 REQ'D)
29	2092600	PIN- DRIVE	65	2260506	HINGE-PIN (HEADLESS) ZINC	101	2263010	E-RING 3/8 DIA SHAFT (2 REQ'D)
30	2771985	MOUNT, BOW ASSEMBLY	66	2293810	YOKE, MAXXUM MOUNT	102	2305810	TAG- AIR SWITCH LEADS
31	2264206A	ARM-UPPER W/O ADDED HOLE	67	2031520	COLLAR-DEPTH (W/O INSERT)			
32	2260513	HINGE PIN- MAX A/T	68	2011365	SCREW-COLLAR/NEW KNOB			
33	2293501	BUSHING (4 REQ'D)	69	2332900	STRAIN RELIEF-COIL CORD			
34	2263500	BOLT, SHOULDER (4 REQ'D)	70	2303001	RING-PIG			
36	2774311	LOWER ARM ASSEMBLY (INCL. 36, 54, 55, 56, 59, 60, 61, 62, 63, 64)	71	2330600	LEADWIRE (10 GA-4) (RINGS)			

# Maxxum Bowmount Series Wiring Diagrams

Max 74/H

