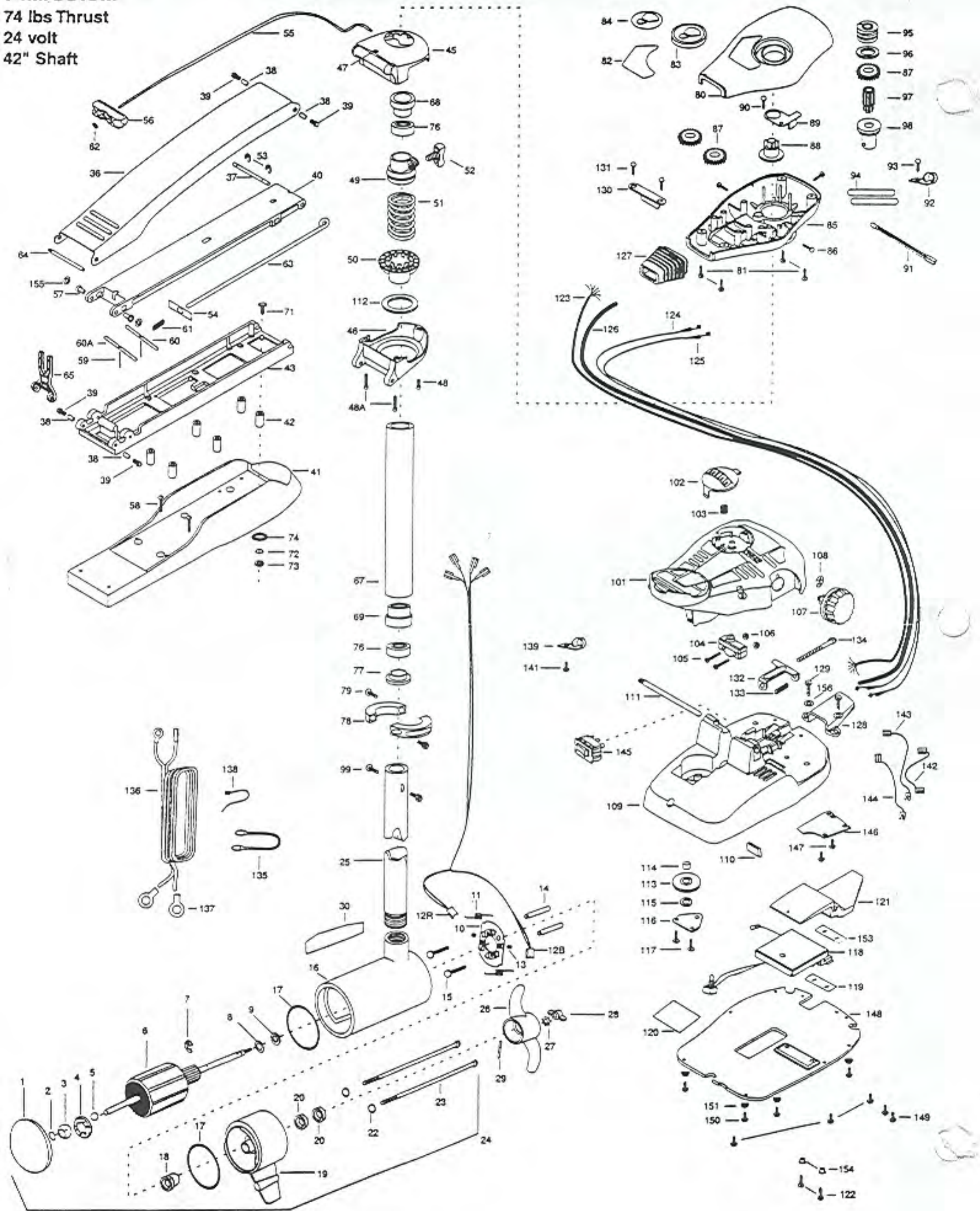


74MAXXUM

74 lbs Thrust

24 volt

42" Shaft



In the U.S.A., replacement parts may be ordered directly from MINN KOTA Parts Dept., JWA MARINE, 706 Highway 101, Mankato, Minnesota 56001. In Canada, parts may be ordered from any of the Canadian Authorized Service Centers shown on the enclosed list. Be sure to provide the MODEL and SERIAL numbers of your motor when ordering parts. Please use the correct part numbers from the parts list. Payment for any parts ordered from the MINN KOTA parts department, may be by cash, personal check, Discover Card MasterCard or VISA. To order, call 1-800-227-6433 or FAX 1-800-527-4464.

Fuera de los Estados Unidos, consultar la lista anexa para ubicar el Centro de Servicio autorizado MINN KOTA. No olvidar de incluir el número del MODELO y el número de SERIE del motor para el cual se solicitan las piezas. Usar siempre los números de pieza correctos indicados en la lista de piezas.

Hors de États-Unis, voir la liste ci-jointe pour le Centre de Service Agréé MINN KOTA le plus proche. Lors d'une commande, ne pas oublier de fournir le numéro de modèle et le numéro de série du moteur. Toujours mentionner le numéro de pièce exact figurant sur la liste des pièces de rechange.

Fora da América do Norte, consultar a lista anexa para identificar o Centro de Serviço Autorizado MINN KOTA. Não deixe de incluir o número do MODELO e o número de SÉRIE do seu motor ao pedir peças. Sempre use os números corretos das peças da lista de peças.

1	409024	PLAIN ENDBELL	57	2236000	BEARING NYLINER (2 REQ'D)	*109	2992100	FOOT PEDAL BASE/PIN ASSEMBLY
2	406050	THRUST DISC	58	2263434	SCREW - 8 - 18 X 1 (2 REQ'D)	*110	2266413	PLATE - TENSION SCREW
3	409600	SPHERICAL BEARING	59	2152610	SPRING - PIN (LOCKBAR) (2 REQ'D)	111	2260511	PIN - PIVOT
4	409301	BEARING RETAINER	60	2233600	LOCK BAR - BOW MOUNT	112	2261531	BEARING BOWGUARD - PLASTIC
5	405010	BALL - STEEL	60A	2233602	LOCK BAR - REAR	113	2262301	PULLEY (FOOT PEDAL)
6	410203	ARMATURE ASSEMBLY	61	2152700	SPRING - (LOCKBAR)	114	2260000	BEARING - PULLEY
7	409300	E-RING	62	2151700	WASHER - EYE SHAFT 5/8 OD	115	2261705	WASHER - NYLATRON
8	409170	THRUST WASHER - STEEL (AS REQ'D)	63	2153602	EYE SHAFT 2 LOCKBAR STD PLID	116	2266400	COVER - PULLEY
9	409171	THRUST WASHER - NYLON (AS REQ'D)	64	2260506	HINGE - PIN, HEADLESS ZINC	117	2301310	SCREW - 8 - 18 X 1/2 (2 REQ'D)
10	409402	BRUSH PLATE ASSEMBLY	65	2293811	YOKE, MAXXUM MOUNT	118	2264011	CONTROL BOARD ASSEMBLY
11	406093	BRUSH SPRING (2 REQ'D)	66	2992012	TUBE W/BEARING RACE ASSEMBLY	119	2365106	INSULATING PAD - 1.1 X 2.75
12R	409071	BRUSH ASSEMBLY - RED 42*	*67	2272069	TUBE OUTER 21" - ORDER 66	120	2365107	INSULATING PAD - 2.3 X 3.2
12B	409072	BRUSH ASSEMBLY - BLK 42*	68	2266260	BEARING RACE	121	2264018	HEAT SINK, MAXXUM FT
13	409343	SET SCREW - BRUSH	69	2266220	BEARING RACE - STEEL	122	2263447	SCREW - 8 - 32 X 1 (2 REQ'D)
14	405151	BRUSH PLATE SPACER (2 REQ'D)	70	2994830	BAG ASSEMBLY - MAXXUM FW	123	2261219	WIRE HARNESS AT & MAX
15	405341	BRUSH PLATE SCREW (2 REQ'D)	*71	2263431	SCREW 1/4-20 X 3.5 (6 REQ'D) - ORDER 70	124	2267500	CABLE ASSY - RIGHT (5')
16	409257	CENTER SECTION W/MAGNETS	*72	2261713	WASHER - 1/4 FLAT (6 REQ'D) - ORDER 70	125	2267510	CABLE ASSY - LEFT (5')
17	409460	O-RING (2 REQ'D)	*73	2263103	NUT - 1/4-20 NYLOCK JAM (6 REQ'D) - ORDER 70	126	2265430	CABLE JACKET (5')
18	409000	FLANGE BEARING (SERVICE ONLY)	*74	2301720	WASHER - MOUNTING, RUBBER (6 REQ'D) - ORDER 70	127	2265110	BOOT - CONTROL BOX
19	409033	BRUSH END HOUSING	75	2266610	DECAL - ON/OFF SWITCH	128	2265115	BOOT - FOOT PEDAL BASE
20	409461	SEAL (2 REQ'D)	76	2266000	BEARING BALL - STEEL (2 REQ'D)	129	2372100	SCREW - 8 - 18 X 5/8 FT.PDL (2 REQ'D)
22	409462	O-RING - THRU BOLT (2 REQ'D)	77	2266115	BEARING CONE	130	2261900	BRACKET - CONDUIT
23	409352	THRU BOLT (2 REQ'D)	78	2771615	COLLAR HALVES KIT	131	2301310	SCREW - 8 - 18 X 1/2 (2 REQ'D)
24	2317032	MOTOR - ASSEMBLY 42*	79	2263450	SCREW - 10 - 24 X 7/8 (2 REQ'D)	132	2263210	BRACKET - CONDUIT ADJUSTMENT
25	2032061	TUBE - COMPOSITE W/CSK HOLE 43-3/4	80	2260283	CONTROL BOX COVER - MAXXUM	133	2262720	SPRING - CONDUIT ADJUSTMENT
26	2331120	PROPELLER (W/WEDGE)	81	2372100	SCREW - 8 - 18 X 5/8 (4 REQ'D)	134	2263460	SCREW - 1/4 - 20 X 2"
27	2091700	LOCKWASHER - PROP	82	2265532	DECAL COVER, MAXXUM 74	135	2340810	CONNECTOR CABLE - (12', 4GA)
28	2093100	NUT - PROP	83	2260150	POINTER DISC TRNSLCNT RED	136	2261227	LEADWIRE - VARIABLE
29	2092600	PIN - DRIVE	84	2265800	DECAL - INDICATOR	137	2020700	TERMINAL RING, 3/8" (2 REQ'D)
30	2006602	DECAL - LOWER UNIT	85	2262531	CONTROL BOX - PLASTIC	138	2266300	TIE WRAP - 5 5" BLACK
35	2991975	MOUNT, BOW ASSEMBLY	86	2262109	SCREW - 8 - 32 X 1/2 (3 REQ'D)	139	2263201	CLAMP WIRE HARNESS MICRO
36	2264206	ARM UPPER - FW STD	87	2267800	GEAR - INDICATOR (3 REQ'D)	141	2332103	SCREW - 6 - 20 X 3/8 (2 REQ'D)
37	2260513	HINGE PIN MAX/AT PLATED	88	2262220	INDICATOR - DRIVE	142	2260316	CONNECTING WIRE (VAR SPD)
38	2293501	BUSHING (4 REQ'D)	89	2261905	BRACKET/INDICATOR	143	2260312	WIRE - BLK/WHI 19 1/4"
39	2263500	BOLT, SHOULDER (4 REQ'D)	90	2301310	SCREW - 8 - 18 X 1/2	144	2260323	WIRE - BLK/GRN VARIABLE
40	2994307	ARM - LOWER ASSEMBLY FW	91	2264015	LIGHT/INDICATOR	145	2254031	SWITCH - MOM/OFF/COM
41	2999266	MOTOR REST ASSEMBLY	92	2263201	CLAMP WIRE HARNESS	146	2266412	SWITCH PLATE, FT PEDAL
42	2261505	SPACER, MOTOR REST (8 REQ'D)	93	2301310	SCREW - 8 - 18 X 1/2	147	2332103	SCREW - 6 - 20 X 3/8 (2 REQ'D)
43	2251967	BOW PLATE	94	2355410	SHRINK TUBE - 3/8 OD X 2" (2 REQ'D)	148	2264510	BOTTOM PLATE, MAXXUM
44	2991918	BOWGUARD ASSEMBLY FT CNTRL MAX (INCL 45 - 54)	95	2232360	PULLEY - CABLE DRUM	149	9953104	SCREW 8 X 1/2 (5 REQ'D)
*45	2991992	BRACKET BASE - TOP/INSERT ASSEMBLY	96	2261730	WASHER - NYLON	150	2263455	SCREW #12 - 14 X 1/2 (4 REQ'D)
*46	2991999	BRACKET BASE BOTTOM/BEARING ASSEMBLY	*97	2267805	PINION DRIVE	151	2265126	BUMBER PAD, FOOT PEDAL (4 REQ'D)
*47	2232351	EYELET - ROPE	*98	2266246	TOP BEARING RACE	153	2265105	INSULATING PAD
*48	2263402	SCREW 1/4 - 20 X 3/4	99	2263410	SCREW - 8 - 32 X 5/16 (2 REQ'D)	154	2261712	INSULATING WASHER (2 REQ'D)
*48A	2263404	SCREW 1/4 - 20 X 2-1/4 SHCP SS (2 REQ'D)	100	2992023	FOOT PEDAL ASSEMBLY	155	2261707	WASHER 3/8 X 1/2 (2REQ'D)
*49	2261525	SPRING - SLEEVE UPPER	101	2790002	FOOT PEDAL/PLUG ASSEMBLY	156	2261714	WASHER MAX FT PDL (2REQ'D)
*50	2261535	SPRING SLEEVE LWR	102	2263700	PUSH-BUTTON, FOOT PEDAL			
*51	2262706	SPRING, BOWGUARD, NIK PL	103	2302732	SPRING - LOWER PEDAL			
52	2011365	SCREW - COLLAR/NEW KNOB	104	2264023	SWITCH - SEALED ASSEMBLY			
53	2263010	E-RING 3/8 DIA SHAFT (2 REQ'D)	105	2262114	SCREW - MOUNTING/SWITCH (2 REQ'D)			
54	2262703	SPRING STOP	106	2233100	NUT - SWITCH MOUNT (2 REQ'D)			
55	2251601	ROPE - 40"	107	2260160	KNOB - SPEED CONTROL			
56	2150400	PULL - GRIP	108	2263000	E RING			

* This item is part of an assembly. This item cannot be sold separately due to machining and /or assembly that is required

Max 74

