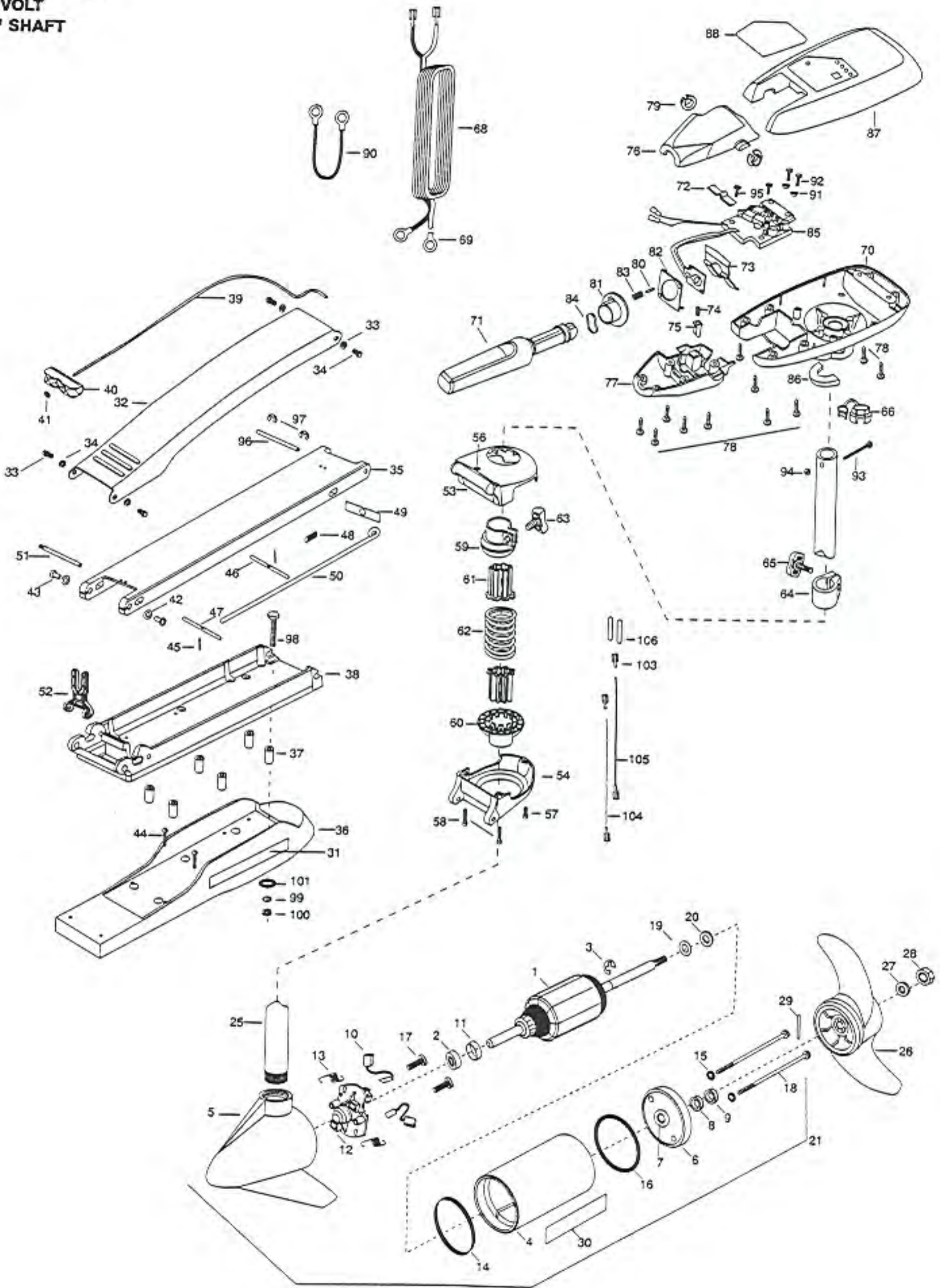


MAX65/HC 52
65 LBS THRUST
24 VOLT
52" SHAFT



In the U.S.A., replace parts may be ordered directly from MINN KOTA Parts Dept., JWA MARINE, 706 Highway 101, Mankato, Minnesota 56001. In Canada, parts may be ordered from any of the Canadian Authorized Service Centers shown on the enclosed list. Be sure to provide the MODEL and SERIAL numbers of your motor when ordering parts. Please use the correct part numbers from the parts list. Payment for any parts ordered from the MINN KOTA parts department, may be by cash, personal check, Discover Card MasterCard or VISA. To order, call 1-800-227-6433 or FAX 1-800-527-4464.

Fuera de los Estados Unidos, consultar la lista anexa para ubicar el número de servicio autorizado MINN KOTA. No olvidar de incluir el número del MODELO y el número de SERIE del motor para el cual se solicitan las piezas. Usar siempre los números de pieza correctos indicados en la lista de piezas.

Hors de États-Unis, voir la liste ci-jointe pour le Centre de Service Agréé MINN KOTA le plus proche. Lors d'une commande, ne pas oublier de fournir le numéro de modèle et le numéro de série du moteur. Toujours mentionner le numéro de pièce exact figurant sur la liste des pièces de rechange.

Fora da América do Norte, consultar a lista anexa para identificar o Centro de Serviço Autorizado MINN KOTA. Não deixe de incluir o número do MODELO e o número de SÉRIE do seu motor ao pedir peças. Sempre use os números corretos das peças da lista de peças.

1	2-100-009	ARMATURE ASSEMBLY	37	2261505	SPACER, MOTOR REST [6.EA]	72	2302742	SPRING-DETENT (OFF)
2	140-010	BALL BEARING	38	2251967	BOWPLATE,STD FW-MACH	73	2302743	SPRING-DETENT (HANDLE-TILT)
3	788-015	RETAINING RING	39	2251601	ROPE (40'), MAXXUM MOUNT	74	2302745	SPRING-RELEASE BUTTON
4	431-005	CENTER HOUSING ASSEMBLY	40	2150400	PULL-GRIP	75	2303720	RELEASE BUTTON-HANDLE
5	421-065	HOUSING BRUSH END 3.62 TXT	41	2151700	WASHER-EYE SHAFT (.562 OD)	76	2060409	HANDLE (TOP HALF)
6	2-400-101	PLAIN END HOUSING ASSEMBLY	42	2261707	WASHER-3/8XL/2 X .016 [2.EA]	77	2060415	HANDLE (LOWER HALF)
7	144-049	BEARING - FLANGE (SERVICE ONLY)	43	2236000	BEARING NYLINER- [2.EA]	78	2303412	SCREW-6-20 X 5/8 SELF TAP [11.EA]
8	880-003	SEAL	44	2263434	SCREW, 8-18 X 1 PPH [2.EA]	79	2060005	BEARING-HANDLE PIVOT [2.EA]
9	880-006	SEAL WITH SHIELD	45	2152610	SPRING-PIN (LOCKEAR) [2.EA]	80	2302600	PIN-ACTUATOR
10	188-036	BRUSH ASSEMBLY [2.EA]	46	2233600	LOCK BAR- (BOW MOUNT)	81	2302850	ACTUATOR-CAM
11	725-050	BRUSH RETENTION- PAPER TUBE	47	2233602	LOCK BAR, REAR - ZINC	82	2302851	ACTUATOR-FWD/REV
12	738-036	BRUSH PLATE W/HOLDER	48	2152700	SPRING-(LOCKBAR) CAD.PLTD	83	2302740	SPRING- (ACTUATOR)
13	975-040	SPRING - TORSION [2.EA]	49	2262703	SPRING STOP MAXXUM	84	2302741	SPRING-CAM (ZNC PLTH STEEL)
14	337-036	GASKET	50	2153602	EYE SHAFT-2LOCKBAR STD PLTD	85	2194006	CTRL BOARD ASSEMBLY MAX65/HC
15	701-008	O-RING, THRU-BOLT [2.EA]	51	2260506	HINGE-PIN (HEADLESS) ZINC	86	2061512	COLLAR-CTRL BOX (FRS-WTR)
16	701-081	O-RING	52	2293811	YOKE,MAX MNT-POLYPROPYLENE	87	2990294	CTRL BOX CVR/DECAL ASSEMBLY
17	830-007	SCREW-8-32 [2.EA]	■	2771990	BOWGUARD ASSEMBLY-HAND CTRL	88	2185605	DECAL-COVER (MAX65/HC)
18	830-008	THRU-BOLT 10-32 X 9.2 [2.EA]	53	2771992	BRKT BASE TOP/INSERT ASSEMBLY	90	2090620	CONNECTOR CABLE- (24 VOLT)
19	990-067	WASHER- STEEL THRUST	54	2771993	BRKT BTM/BEARING FW ASEMBLY	91	2301710	WASHER-INSUL.(TRANSF.BAR) [2.EA]
20	990-070	WASHER - NYLATRON	56	2232351	EYELET-ROPE	92	2372100	SCREW-8-18 X 5/8 THD [2.EA]
21	2098030	MOTOR ASSMBLY 24V F/W 51.5" LDS	57	2263402	SCREW 1/4-20 X 3/4(ZINC)	93	2383407	SCREW-10-24 X 2 PPH ZINC
25	2032068	TUBE COMPOSITE 52*	58	2263404	SCREW-1/4-20 X 2 1/4 [2.EA]	94	2383124	NUT-10-24 NYLOCK
26	1378122	PROPELLER KIT INCL. 26-29	59	2261525	SPRING-SLEEVE UPPER	95	2301310	SCREW-8-18 X 1/2
27	2151726	WASHER- 5/16 SS	60	2261535	SPRING SLEEVE, LOWER	96	2260513	HINGE PIN (MAX,AT) PLATED
28	2053101	NUT-PROP NYLOC	61	2264701	INSERT-TUBE (2 PER) B.MNT	97	2263010	E-RING 3/8 DIA. SHAFT [2.EA]
29	2092600	PIN-DRIVE (95-4HP'S)	62	2262704	SPRING, BOWGUARD, HAND CT	■	2994830	BAG ASSEMBLY-MAXXUM INCL. 98-101
30	2006602	DECAL-LOWER UNIT, PMSL22C	63	2011365	SCREW-COLLAR/NEW KNOB	*98	2263431	SCREW 1/4-20 X 3.5 PPH [6.EA]
31	2265514	DECAL- MAXXUM MOTOR REST	64	2031520	COLLAR-DEPTH (W/O INSERT)	*99	2261713	WASHER-1/4 FLAT S/S [6.EA]
2771985	■ 2771975	MOUNT, BOW ASSEMBLY, FW	65	2011365	SCREW-COLLAR/NEW KNOB	*100	2263103	NUT-1/4-20 NYLOCK-JAM S/S [6.EA]
32	2264206	ARM-UPPER FW,STD	66	2052900	STRAIN RELIEF-C.CORD/SP.C	*101	2301720	WASHER-MOUNTING*RUBBER [6.EA]
33	2293501	BUSHING, STAINLESS STEEL [4.EA]	68	2090600	LEADWIRE (10 GA) RINGS	103	2030710	CONNECTOR BUTT
34	2263500	BOLT, SHOULDER (MAXXUM) [4.EA]	69	2020700	TERMINAL RING, 3/8 [2.EA]	104	2030317	WIRE EXTENSION-18" -RED
35	2774307	ARM-LOWER ASSEMBLY, STD, FW,	70	2062585	CONTROL BOX,FW, .725 BORE	105	2030316	WIRE EXTENSION-18" -BLACK
36	2999266	MOTOR REST ASSEMBLY (STD) FW	71	2990914	HANDLE ASSEMBLY W/O U-JOINT	106	2375400	SHRINK TUBE-1/4OD X 1-3/4 [2.EA]

* This item is part of an assembly. This item cannot be sold separately due to machining and /or assembly that is required.

Maxxum Bowmount Series Wiring Diagrams

Max 65/H

