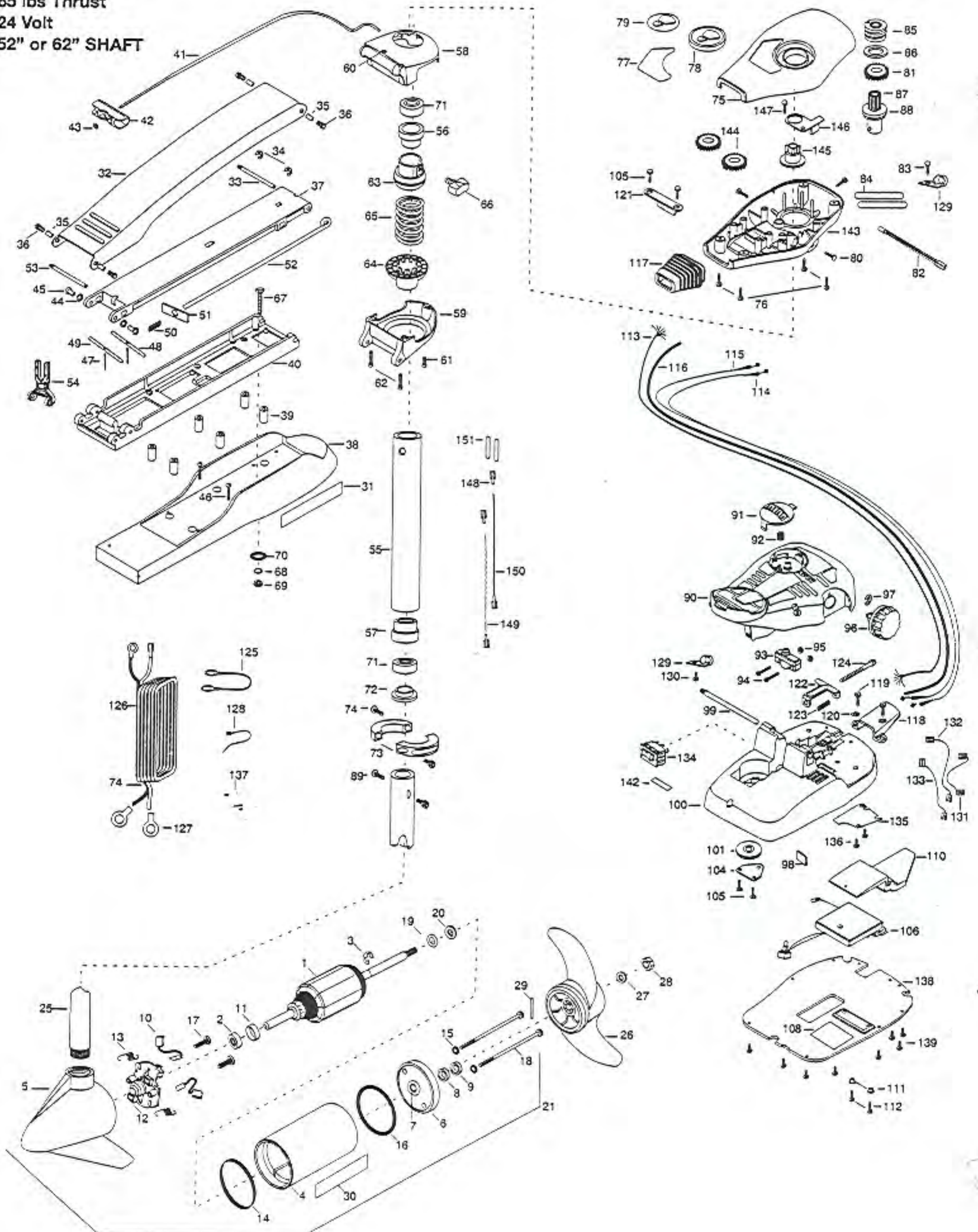


MAX65FC 52-62  
 65 lbs Thrust  
 24 Volt  
 52" or 62" SHAFT



In the U.S.A., replacement parts may be ordered directly from MINN KOTA Parts Dept., JWA MARINE, 706 Highway 10, Mankato, Minnesota 56001. In Canada, parts may be ordered from any of the Canadian Authorized Service Centers shown on the enclosed list. Be sure to provide the make, model and serial numbers of your motor when ordering parts. Please use the correct part numbers from the parts list. Payment for any parts ordered from the MINN KOTA parts department, may be by cash, personal check, Discover Card MasterCard or VISA. To order, call 1-800-227-6433 or FAX 1-800-527-4464.

Fuera de los Estados Unidos, consultar la lista anexa para ubicar el Centro de Servicio autorizado MINN KOTA. No deje de incluir el número del MODELO y el número de SERIE del motor para el cual se solicitan las piezas. Usar siempre los números de pieza correctos indicados en la lista de piezas.

Hors de États-Unis, voir la liste ci-jointe pour le Centre de Service Agréé MINN KOTA le plus proche. Lors d'une commande, ne pas oublier de fournir le numéro de modèle et le numéro de série du moteur. Toujours mentionner le numéro de pièce exact figurant sur la liste des pièces de rechange.

Fora da América do Norte, consulte a lista anexa para identificar o Centro de Serviço Autorizado MINN KOTA. Não deixe de incluir o número do MODELO e o número de SÉRIE do seu motor ao pedir peças. Sempre use os números corretos das peças da lista de peças.

|    |           |   |     |         |  |     |         |                                    |
|----|-----------|---|-----|---------|--|-----|---------|------------------------------------|
| 1  | 2-100-009 | ARMATURE ASSEMBLY   | 52  | 2153604 | EYE SHAFT - 2 LOCKBAR LONG SS          | 99  | 2260511 | PIN - PIVOT A/T FT PDL             |
| 2  | 140-010   | BALL BEARING  | 53  | 2260506 | HINGE - PIN (HEADLESS) ZINC            | 100 | 2992100 | FT PEDAL BASE/PIN ASSEMBLY         |
| 3  | 788-015   | RETAINING RING  | 54  | 2293811 | YOKE, MAXXUM MOUNT, POLYPROPYLENE      | 101 | 2262301 | PULLEY (FOOT PEDAL)                |
| 4  | 431-005   | CENTER HOUSING ASSEMBLY                                     | ■   | 2772016 | TUBE W/BEARING RACE ASSEMBLY 52"       | 104 | 2266400 | COVER - PULLEY                     |
| 5  | 421-065   | HOUSING BRUSH END 3.62 TXT                                  |     | 2772014 | TUBE W/BEARING RACE ASSEMBLY 62"       | 105 | 2301310 | SCREW - 8 - 18 X 1/2 [4.EA]        |
| 6  | 2-400-101 | PLAIN END HOUSING ASSEMBLY                                  | 55  | 2272067 | TUBE OUTER - 24" 4 HOLES - 52"         | 106 | 2774011 | CONTROL BOARD ASSEMBLY - MAX74     |
| 7  | 144-049   | BEARING - FLANGE (SERVICE CENTER ONLY)                      |     | 2272068 | TUBE OUTER - 34" 4 HOLES - 62"         | 108 | 2365107 | INSULATING PAD (2.3 X 3.2)         |
| 8  | 880-003   | SEAL  | 56  | 2266260 | BEARING RACE - (565T)                  | 110 | 2264018 | HEAT SINK, MACH, MAX FTL           |
| 9  | 880-006   | SEAL WITH SHIELD  | 57  | 2266220 | BEARING RACE - STEEL                   | 111 | 2261712 | SHOULDER WASHER MAXXUM [2.EA]      |
| 10 | 188-036   | BRUSH ASSEMBLY [2.EA]                                       | ■   | 2771988 | BOWGUARD ASSEMBLY - FT CTRL, XL        | 112 | 2263447 | SCREW, 8 - 32 X 1" [2.EA]          |
| 11 | 725-050   | BRUSH RETENTION - PAPER TUBE                                | 58  | 2771992 | BRACKET BASE TOP/INSERT ASSEMBLY       | 113 | 2261219 | WIRE HARNESS AT & MAX              |
| 12 | 738-036   | BRUSH PLATE W/HOLDER  | 59  | 2771999 | BRKT BOTTOM/BEARING FW ASSEMBLY        | 114 | 2267500 | CABLE ASSY - RIGHT (5')            |
| 13 | 975-040   | SPRING - TORSION [2.EA]                                     | 60  | 2232351 | EYELET - ROPE                          | 115 | 2267510 | CABLE ASSY - LEFT (5')             |
| 14 | 337-036   | GASKET  | 61  | 2263402 | SCREW 1/4 - 20 X 3/4 ZINC              | 116 | 2265430 | CABLE JACKET (5')                  |
| 15 | 701-008   | O-RING, THRU-BOLT [2.EA]                                    | 62  | 2263404 | SCREW - 1/4 - 20 X 2 1/4 [2.EA]        | 117 | 2265110 | BOOT - CONTROL BOX                 |
| 16 | 701-081   | O-RING  | 63  | 2261525 | SPRING - SLEEVE, UPPER                 | 118 | 2265115 | BOOT - FOOT PEDAL BASE             |
| 17 | 830-007   | SCREW - 8 - 32 [2.EA]                                       | 64  | 2261535 | SPRING - SLEEVE, LOWER                 | 119 | 2372100 | SCREW - 8 - 18 X 5/8 THD [2.EA]    |
| 18 | 830-008   | THRU-BOLT 10 - 32 X 9.2 [2.EA]                              | 65  | 2262706 | SPRING, BOWGUARD, NIK PL               | 120 | 2261714 | WASHER - MAXXUM FT PDL [2.EA]      |
| 19 | 990-067   | WASHER - STEEL THRUST                                       | 66  | 2011365 | SCREW - COLLAR/NEW KNOB                | 121 | 2261900 | BRACKET - CONDUIT                  |
| 20 | 990-070   | WASHER - NYLATRON   | ■   | 2994830 | BAG ASSEMBLY - MAXXUM                  | 122 | 2263210 | BRACKET - CONDUIT ADJUST           |
| 21 | 2098031   | MOTOR ASSEMBLY 24V F/W 57.5" LDS 52"                        | *67 | 2263431 | SCREW 1/4 - 20 X 3.5 PPH [6.EA]        | 123 | 2262720 | SPRING - CONDUIT ADJUST            |
|    | 2098030   | MOTOR ASSEMBLY 24V F/W 51.5" LDS 62"                        | *68 | 2261713 | WASHER - 1/4 FLAT S/S [6.EA]           | 124 | 2263462 | SCREW - 1/4 - 20 X 2 SS PPH        |
| 25 | 2032067   | TUBE (COMP) W/CSK HOLE - 52"                                | *69 | 2263103 | NUT - 1/4 - 20 NYLOCK - JAM S/S [6.EA] | 125 | 2340610 | CONNECTOR CABLE - (12')            |
|    | 2032066   | TUBE (COMP) W/CSK HOLE - 62"                                | *70 | 2301720 | WASHER - MOUNTING RUBBER [6.EA]        | 126 | 2261227 | LEADWIRE (A/T VARIABLE)            |
| ■  | 1378122   | PROPELLER KIT   | 71  | 2266000 | BEARING BALL - STEEL [2.EA]            | 127 | 2020700 | TERMINAL RING, 3/8 [2.EA]          |
| 26 | 2091150   | PROPELLER W/WEDGE   | 72  | 2266115 | BEARING CONE                           | 128 | 2256300 | TIE WRAP - 5.5 BLACK               |
| 27 | 2151726   | WASHER - 5/16 SS  | 73  | 2771615 | COLLAR HALF - ZINC - 2 PER KIT         | 129 | 2263201 | CLAMP WIRE HARNESS MICRO [2.EA]    |
| 28 | 2053101   | NUT - PROP NYLOC  | 74  | 2263452 | SCREW - 1/4 - 24 X 3/4 [2.EA]          | 130 | 2332103 | SCREW - 6 - 20 X 3/8 THD (SS)      |
| 29 | 2092600   | PIN - DRIVE (95-4HP'S)                                      | 75  | 2260283 | CONTROL BOX COVER - MAXXUM             | 131 | 2260316 | CONNECTING WIRE (VAR.SPD)          |
| 30 | 2006602   | DECAL - LOWER UNIT, PMSL22C                                 | 76  | 2372100 | SCREW - 8 - 18 X 5/8 THD [4.EA]        | 132 | 2260312 | WIRE, BLK W/WHT STRP 19-1/4        |
| 31 | 2265514   | DECAL - MAXXUM MOTOR REST                                   | 77  | 2265620 | DECAL - COVER (MAX65/FC)               | 133 | 2260323 | WIRE, BLK W/GRN STP VARIABLE       |
| ■  | 2771974   | MOUNT, BOW ASSEMBLY, FW XL BG                               | 78  | 2260150 | POINTER DISC TRNSLCNT RED              | 134 | 2254031 | SWITCH - MOM/OFF/COM               |
| 32 | 2264216   | ARM - UPPER FW, 52" LONG                                    | 79  | 2265800 | DECAL - INDICATOR                      | 135 | 2266412 | SWITCH PLATE, FT PEDAL             |
| 33 | 2260513   | HINGE PIN (MAX,A/T) PLATED                                  | 80  | 2053414 | SCREW - 8 - 32 X 1/2 TRI-LOBE [3. EA]  | 136 | 2332103 | SCREW - 6 - 20 X 3/8 THD SS [2.EA] |
| 34 | 2263010   | E-RING 3/8 DIA. SHAFT [2.EA]                                | 81  | 2267800 | GEAR - INDICATOR                       | 137 | 2256301 | TIE WRAP - 5.5 WHITE [2.EA]        |
| 35 | 2293501   | BUSHING, STAINLESS STEEL [4.EA]                             | 82  | 2264015 | LIGHT/INDICATOR                        | 138 | 2774510 | BOTTOM PLATE, MAXXUM FT            |
| 36 | 2263500   | BOLT, SHOULDER (MAXXUM) [4.EA]                              | 83  | 2301310 | SCREW - 8 - 18 X 1/2 SS                | 139 | 9953104 | SCREW - 8 X 1/2 (S/S) [8.EA]       |
| 37 | 2774317   | ARM - LOWER ASSEMBLY, LG, FW, EXTRA [INCLUDES 41-43, 47-51] | 84  | 2355410 | SHRINK TUBE - 3/8 OD X 2" [2.EA]       | 142 | 2266610 | DECAL - ON/OFF SWITCH              |
|    |           |   | 85  | 2232360 | PULLEY - CABLE DRUM                    | 143 | 2262531 | CONTROL BOX - PLASTIC              |
| 38 | 2263913   | MOTOR REST ASSY (LONG) FW                                   | 86  | 2261730 | WASHER - NYLON A/T CON                 | 144 | 2267800 | GEAR - INDICATOR [2.EA]            |
| 39 | 2261505   | SPACER, MOTOR REST [6 EA]                                   | ■   | 2776204 | TOP BEARING RACE /PINION DRIVE         | 145 | 2262220 | INDICATOR - DRIVE                  |
| 40 | 2771977   | BOWPLATE, LG MACH/INSERT                                    | *87 | 2267805 | PINION DRIVE ZINC PLATED               | 146 | 2261905 | BRACKET/INDICATOR                  |
| 41 | 2251601   | ROPE (40"), MAXXUM MOUNT                                    | *88 | 2266246 | TOP BEARING RACE                       | 147 | 2301310 | SCREW - 8 - 18 X 1/2"              |
| 42 | 2150400   | PULL - GRIP   | 89  | 2263410 | SCREW - 8 - 32 X 5/16 [2.EA]           |     |         |                                    |
| 43 | 2151700   | WASHER - EYE SHAFT (.562 OD)                                | 90  | 2790002 | FOOT PEDAL/PLUG ASSEMBLY               |     |         |                                    |
| 44 | 2261707   | WASHER - 3/8 X 1/2 X .016 (S/S) [2.EA]                      | 91  | 2263700 | PUSH - BUTTON FOOT PEDAL               | 148 | 2030710 | CONNECTOR BUTT [2.EA]              |
| 45 | 2236000   | BEARING NYLINER [2.EA]                                      | 92  | 2302732 | SPRING - LOWER PEDAL                   | 149 | 2030317 | WIRE EXTENSION 18" RED             |
| 46 | 2263434   | SCREW, 8 - 18 X 1" PPH [2.EA]                               | 93  | 2264023 | SWITCH - SEALED ASSEMBLY               | 150 | 2030316 | WIRE EXTENSION 18" BLACK           |
| 47 | 2152610   | SPRING - PIN (LOCKBAR) [2.EA]                               | 94  | 2262114 | SCREW - MOUNTING/SWITCH [2.EA]         | 151 | 2375400 | SHRINK TUBE [2.EA]                 |
| 48 | 2233600   | LOCK BAR - (BOW MOUNT)                                      | 95  | 2233100 | NUT - SWITCH MOUNT [2.EA]              |     |         |                                    |
| 49 | 2233602   | LOCK BAR, REAR - ZINC                                       | 96  | 2260160 | KNOB - SPEED CONTROL (VAR)             |     |         |                                    |
| 50 | 2152700   | SPRING - (LOCKBAR) CAD.PLTD                                 | 97  | 2263000 | E-RING THRU-ARC                        |     |         |                                    |
| 51 | 2262703   | SPRING STOP MAXXUM  | 98  | 2266413 | TENSION SCREW PLATE FTPEDAL            |     |         |                                    |

MAX 65 - 52" - 62"

\* This item is part of an assembly. This item cannot be sold separately due to machining and /or assembly that is required.

# Max 65

