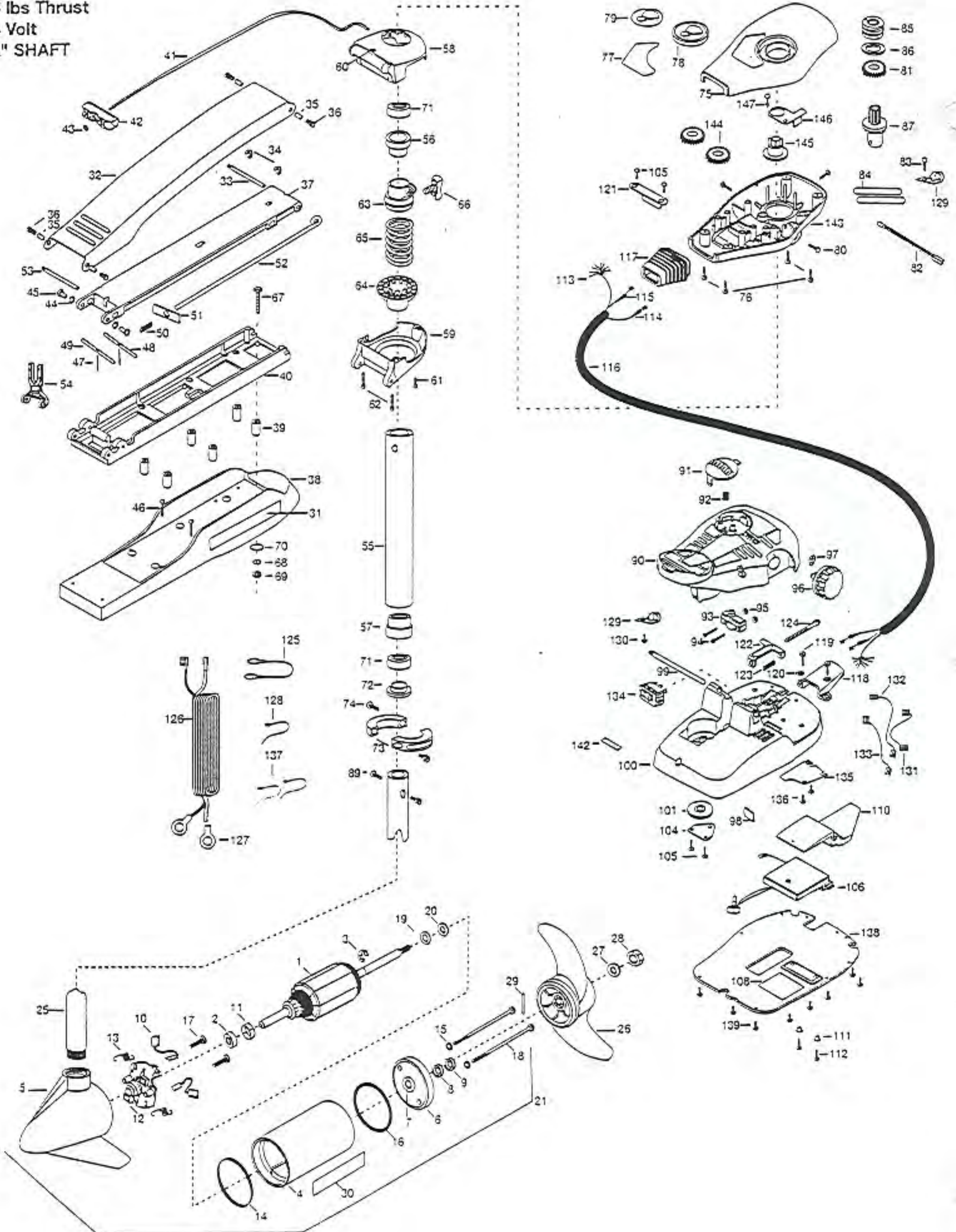


MAX65FC 42
 65 lbs Thrust
 24 Volt
 42" SHAFT



In the U.S.A., replace parts may be ordered directly from MINN KOTA Parts Dept., JVA MARINE, 706 Highway 16, Marikato, Minnesota 56001. In Canada, parts may be ordered from any of the Canadian Authorized Service Centers shown on the enclosed list. Be sure to provide the MODEL and SERIAL numbers of your motor when ordering parts. Please use the correct part numbers from the parts list. Payment for any parts ordered from the MINN KOTA parts department, may be by cash, personal check, Discover Card MasterCard or VISA. To order, call 1-800-227-6433 or FAX 1-800-527-4464.

Fuera de los Estados Unidos, consultar la lista anexa para ubicar el Centro de Servicio Autorizado MINN KOTA. No deje de incluir el número del MODELO y el número de SERIE del motor para el cual se solicitan las piezas. Usar siempre los números de pieza correctos indicados en la lista de piezas.

Hors de États-Unis, voir la liste ci-jointe pour la Centre de Service Agréé MINN KOTA le plus proche. Lors d'une commande, ne pas oublier de fournir le numéro du modèle et le numéro de série du moteur. Toujours mentionner le numéro de pièce exact figurant sur la liste des pièces de rechange.

Fora da América do Norte, consultar a lista anexa para identificar o Centro de Serviço Autorizado Minn KOTA. Não deixe de incluir o número do MODELO e o número de SÉRIE do seu motor ao pedir peças. Sempre use os números corretos das peças da lista de peças.

1	2-100 009	ARMATURE ASSEMBLY	49	2233602	LOCK BAR, REAR - ZINC	95	2233100	NUT-SWITCH MOUNT [2.EA]
2	140 010	BALL BEARING	50	2152700	SPRING (LOCKBAR) CAD.PLTD	96	2260160	KNOB-SPEED CONTROL (VAR)
3	788-015	RETAINING RING	51	2262703	SPRING STOP MAXXUM	97	2263000	E-RING THU-ARC
4	431-005	CENTER HOUSING ASSEMBLY	52	2153602	EYE SHAFT-2.LOCKBAR STD	*98	2266413	TENSION SCREW PLATE FTPEDAL
5	421-065	HOUSING BRUSH END 3.62 TXT	53	2260506	HINGE-PIN (HEADLESS) ZINC	99	2260511	PIN-PIVOT A/T FT PDL
6	2-400-101	PLAIN END HOUSING ASSEMBLY	54	2293811	YOKE, MAXXUM MOUNT,POLYPROPYLENE	100	2774550	FT PEDAL BASE/PIN ASSEMBLY
7	144-049	BEARING - FLANGE (SERVICE CENTER ONLY)	■	2772012	TUBE W/BEARING RACE ASSEMBLY	101	2262301	PULL EY (FOOT PEDAL)
8	880-003	SEAL	*55	2272069	TUBE OUTER-21" 4 HOLES	104	2266400	COVER-PULLEY
9	880-006	SEAL WITH SHIELD	56	2266260	BEARING RACE	105	2301310	SCREW-8-18 X 1/2 [4.EA]
10	188-036	BRUSH ASSEMBLY [2.EA]	57	2266220	BEARING RACE-STEEL	106	2264008	CNTROL BOARD ASSEMBLY 24V MAX65/FC
11	725-050	BRUSH RETENTION- PAPER TUBE	■	2771918	BOWGUARD ASSEMBLY-FT CTRL,STD	108	2365107	INSULATING PAD (2.3X3.2)
12	738-036	BRUSH PLATE W/HOLDER	58	2771992	BRACKET BASE TOP/INSERT ASSEMBLY	110	2264018	HEAT SINK, MACH, MAX FTL
13	975-040	SPRING - TORSION [2.EA]	59	2991999	BRKT BOTTOM/BEARING FW ASSEMBLY	111	2261712	SHOULDER WASHER MAXXUM [2.EA]
14	337-036	GASKET	60	2232351	EYELET-ROPE	112	2263447	SCREW, 8-32 X 1" [2.EA]
15	701-008	O-RING, THRU BOLT [2.EA]	61	2263402	SCREW 1/4-20 X 3/4" ZINC	113	2261219	WIRE HARNESS AT & MAX
16	701-081	O-RING	62	2263404	SCREW-1/4-20 X 2 1/4 SCHP SS [2.EA]	114	2267500	CABLE ASSEMBLY-RIGHT (5')
17	830-007	SCREW-8-32 [2.EA]	63	2261525	SPRING-SLEEVE UPPER	115	2267510	CABLE ASSEMBLY-LEFT (5')
18	830-008	THRU BOLT 10-32X9.2 [2.EA]	64	2261535	SPRING SLEEVE, LOWER	116	2265430	CABLE JACKET (5')
19	990-067	WASHER- STEEL THRUST	65	2262706	SPRING, BOWGUARD, NIK PL	117	2265110	BOOT-CONTROL BOX
20	990-070	WASHER - NYLATRON	66	2011365	SCREW-COLLAR/NEW KNOB	118	2265115	BOOT-FOOT PEDAL BASE
21	2098030	MOTOR ASSEMBLY 24V F/W 51.5" LDS	■	2991830	BAG ASSEMBLY-MAXXUM	119	2372100	SCREW-8-18 X 5/8 THD [2.EA]
25	2032061	TUBE (COMPOSITE) W/CSK HOLE 43-3/4	*67	2263431	SCREW 1/4-20 X 3.5 PPH [6.EA]	120	2261714	WASHER-MAXXUM FT PDL [2.EA]
■	1378122	PROPELLER- KIT	*68	2261713	WASHER-1/4 FLAT S/S [6.EA]	121	2261900	BRACKET-CONDUIT
*26	2091150	PROPELLER W/WEDGE	*69	2263103	NUT-1/4-20 NYLOCK-JAM SS [6.EA]	122	2263210	BRACKET-CONDUIT ADJUST
*27	2151726	WASHER-5/16 SS	*70	2301720	WASHER-MOUNTING*RUBBER [6.EA]	123	2262720	SPRING-CONDUIT ADJUST
*28	2053101	NUT-PROP NYLOC	71	2266000	BEARING BALL-STEEL [2.EA]	124	2263462	SCREW-1/4-20 X 2" SS PPH
*29	2092600	PIN-DRIVE	72	2266115	BEARING CONE	125	2340610	CONNECTOR CABLE- (12")
30	2006602	DECAL-LOWER UNIT [2.EA]	73	2261617	COLLAR HALF-ZINC- [2.EA]	126	2261227	LEADWIRE (A/T VARIABLE)
31	2265514	DECAL-MAXXUM MOTOR REST [2.EA]	74	2263452	SCREW 1/4-20X3/4 [2.EA]	127	2020700	TERMINAL RING, 3/8" [2.EA]
■	2771975	MOUNT, BOW ASSEMBLY, STD FW	75	2260283	CONTROL BOX COVER-MAXXUM	128	2256300	TIE WRAP-5.5" BLACK
32	2264206	ARM-UPPER STD FW	76	2372100	SCREW-8-18 X 5/8 THD [4.EA]	129	2263201	CLAMP WIRE HARNESS MICRO [2.EA]
33	2260513	HINGE PIN (MAX,A/T) PLATED	77	2265620	DECAL-COVER (MAX65/FC)	130	2332103	SCREW-6-20 X 3/8 THD (SS)
34	2263010	E-RING 3/8 DIA. SHAFT [2.EA]	78	2260150	POINTER DISC TRNSLCNT RED	131	2260316	CONNECTING WIRE (VAR.SPD)
35	2293501	BUSHING, STAINLESS STEEL [4.EA]	79	2265800	DECAL-INDICATOR	132	2260312	WIRE,BLK W/WHT STRP 19 -1/4"
36	2263500	BOLT, SHOULDER (MAXXUM) [4.EA]	80	2053414	SCREW-8-32 X 1/2 TRI-LOBE [3.EA]	133	2260323	WIRE,BLK W/GRN STP VARIABLE
37	2774315	ARM-LOWER ASSEMBLY,STD,FW,EXTRA [INCLUDES 41-43, 47-51]	81	2267800	GEAR-INDICATOR	134	2254031	SWITCH-MOM/OFF/CON
38	2263912	MOTOR REST (STD) FW	82	2264015	LIGHT/INDICATOR	135	2266412	SWITCH PLATE, FT PEDAL
39	2261505	SPACER, MOTOR REST [6.EA]	83	2301310	SCREW-8-18 X 1/2	136	2332103	SCREW-6-20 X 3/8 THD*(SS) [2.EA]
40	2251967	BOWPLATE,STD FW	84	2355410	SHRINK TUBE-3/8 OD X 2" [2.EA]	137	2256301	TIE WRAP-5.5" WHITE [2.EA]
41	2251601	ROPE (40"), MAXXUM MOUNT	85	2232360	PULLEY-CABLE DRUM	138	2774510	BOTTOM PLATE, MAXXUM FT
42	2150400	PULL-GRIP	86	2261730	WASHER-NYLON A/T CON	139	9953104	SCREW-8 X 1/2" (SS) [8.EA]
43	2151700	WASHER-EYE SHAFT(.562 OD)	87	2996246	TOP BEARING RACE /PINION DRIVE	142	2266610	DECAL-ON/OFF SWITCH
44	2261707	WASHER-3/8X1/2X.016 (S/S) [2.EA]	89	2263410	SCREW-8-32 X 5/16 [2.EA]	143	2262531	CONTROL BOX-PLASTIC
45	2236000	BEARING NYLINER [2.EA]	90	2790002	FOOT PEDAL/PLUG ASSEMBLY	144	2267800	GEAR-INDICATOR [2.EA]
46	2263434	SCREW, 8-18 X 1" PPH [2.EA]	91	2263700	PUSH-BUTTON FOOT PEDAL	145	2262220	INDICATOR-DRIVE
47	2152610	SPRING-PIN (LOCKBAR) [2.EA]	92	2302732	SPRING-LOWER PEDAL	146	2261905	BRACKET/INDICATOR
48	2233600	LOCK BAR- (BOW MOUNT)	94	2262114	SCREW-MOUNTING/SWITCH [2.EA]	147	2301310	SCREW-8-18 X 1/2"

MAX 65-42"

* This item is part of an assembly. This item cannot be sold separately due to machining and /or assembly that is required.

Max 65

