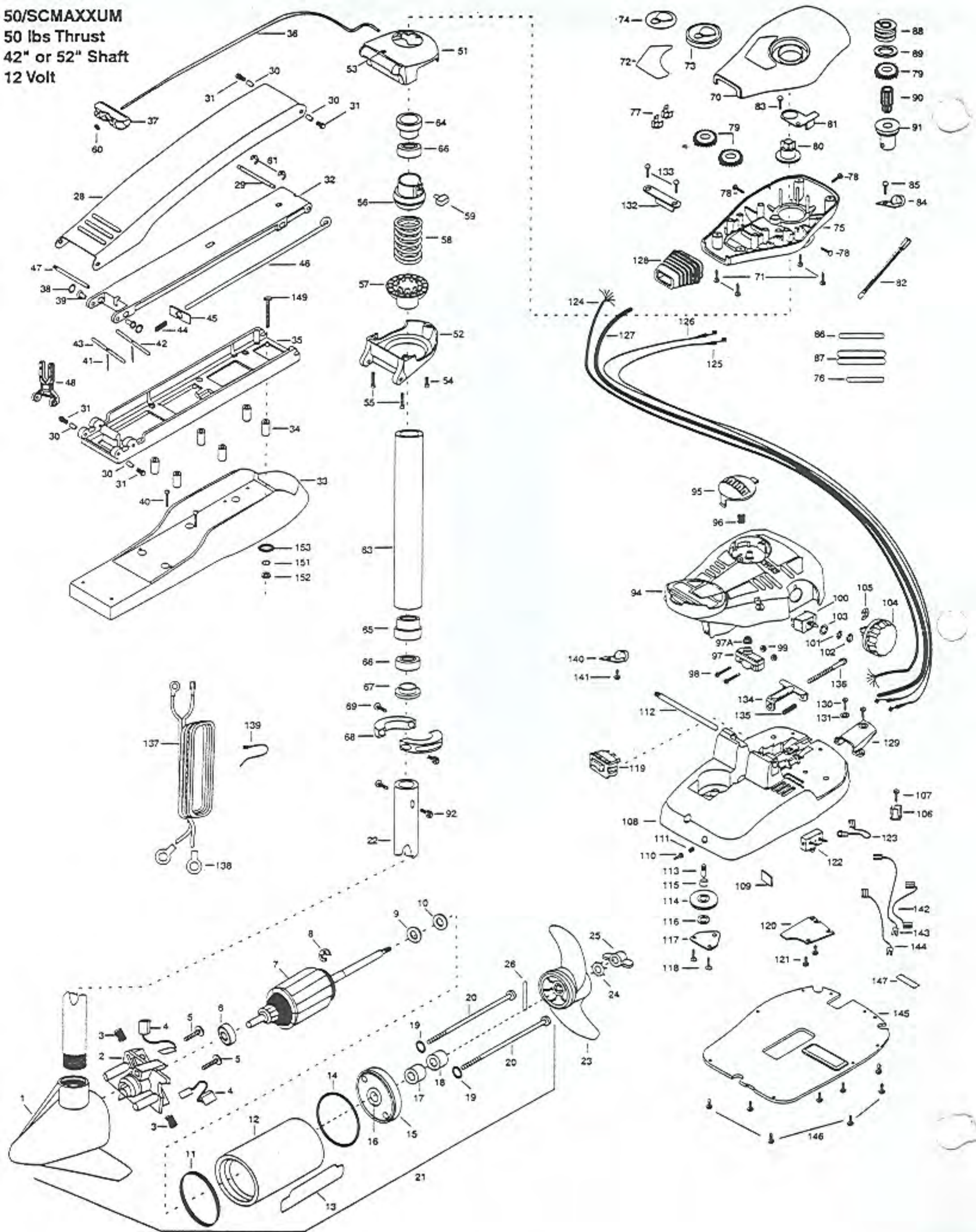


50/SCMAXXUM
50 lbs Thrust
42" or 52" Shaft
12 Volt



In the U.S.A., replacement parts may be ordered directly from MINN KOTA Parts Dept., JWA MARINE, 706 Highway 101, Mankato, Minnesota 56001. In Canada, parts may be ordered from any of the Canadian Authorized Service Centers shown on the enclosed list. Be sure to provide the MODEL and SERIAL numbers of your motor when ordering parts. Please use the correct part numbers from the parts list. Payment for any parts ordered from the MINN KOTA parts department, may be by cash, personal check, Discover Card MasterCard or VISA. To order, call 1-800-227-6433 or FAX 1-800-527-4464.

Fuera de los Estados Unidos, consultar la lista anexa para ubicar el Centro de Servicio Autorizado MINN KOTA. No dejar de incluir el número del MODELO y el número de SERIE del motor para el cual se solicitan las piezas. Usar siempre los números de pieza correctos indicados en la lista de piezas.

Hors de États-Unis, voir la liste ci-jointe pour le Centre de Service Agréé MINN KOTA le plus proche. Lors d'une commande, ne pas oublier de fournir le numéro de modèle et le numéro de série du moteur. Toujours mentionner le numéro de pièce exact figurant sur la liste des pièces de réchange.

Fora da América do Norte, consultar a lista anexa para identificar o Centro de Serviço Autorizado MINN KOTA. Não deixe de incluir o número do MODELO e o número de SÉRIE do seu motor ao pedir peças. Sempre use os números corretos das peças da lista de peças.

1	409026	ENDBELL-FRONT/COIL	*51	2991992	BRACKET BASE-TOP/INSERT	106	2260730	CONNECTOR -MALE TAB
2	406403	BRUSH PLATE ASSEMBLY	*52	2991993	BRACKET BASE BOTTOM/BEARING	107	2332103	SCREW 8-20X3/8 THD
3	406082	BRUSH SPRING (2 REQ'D)	*53	2232351	EYELET-ROPE	108	2264550	FOOT PEDAL BASE
4	406071	BRUSH ASSEMBLY	*54	2263402	SCREW 1/4-20 X 3/4	*109	2266413	PLATE-TENSION SCREW
5	406342	BRUSH PLATE SCREW (2 REQ'D)	*55	2263420	BOLT 1/4-20 X 2 (2 REQ'D)	110	2262650	PIN -CIRCUIT BREAKER
6	406010	BALL BEARING	*56	2261525	SPRING-SLEEVE UPPER BOWGD 3	111	2262721	SPRING - RESET PIN
7	406211	ARMATURE ASSEMBLY	*57	2261535	SPRING SLEEVE LWR	112	2260511	PIN-PIVOT
8	405300	E-RING	*58	2262706	SPRING, BOWGUARD, NIK PL	*113	2260515	PIN PULLEY-AXLE
9	406170	THRUST WASHER- STEEL (AS REQ'D)	59	2011365	SCREW-COLLAR/NEW KNOB	114	2262300	PULLEY (FOOT PEDAL)
10	405171	THRUST WASHER- NYLON (AS REQ'D)	60	2151700	WASHER-EYE SHAFT .562 OD	115	2260000	BEARING-PULLEY
11	406490	GASKET	61	2263010	E-RING 3/8 DIA SHAFT	116	2261705	WASHER-NYLATRON
12	406257	CENTER HOUSING FIELD ASSEMBLY	62	2992012	TUBE W/BEARING RACE (42" SHAFT)	117	2266400	COVER-PULLEY
13	2006601	DECAL-LOWER UNIT		2992016	TUBE W/BEARING RACE (52" SHAFT)	118	2301310	SCREW-8-18 X 1/2 (2 REQ'D)
14	406470	O-RING	*63	2272069	TUBE OUTER 21" (42" SHAFT)-ORDER 62	119	2254031	SWITCH-MOM/OFF/COM
15	406033	PLAIN END HOUSING		2272067	TUBE OUTER 24" (52" SHAFT)-ORDER 62	120	2266412	SWITCH PLATE, FT PEDAL
16	406600	FLANGE BEARING (SERVICE ONLY)	64	2266260	BEARING RACE	121	2332103	SCREW-6-20 X 3/8 (2 REQ'D)
17	406461	SEAL	65	2266220	BEARING RACE-STEEL	122	2268201	CIRCUIT BREAKER 35A
18	406471	SEAL- CUP	66	2266000	BEARING BALL-STEEL (2 REQ'D)	123	2260601	WIRE- CNTG 10GA BREAKER
19	405462	O-RING - THRU BOLT (2 REQ'D)	67	2266115	BEARING CONE	124	2261208	WIRE HARNESS- A/T FT PDL
20	406353	THRU BOLT (2 REQ'D)	68	2771615	COLLAR HALVES KIT	125	2267500	CABLE ASSEMBLY-RIGHT (5')
21	2099030	MOTOR-ASSEMBLY 50/SC	69	2263450	SCREW-10-24 X 7/8 (2 REQ'D)	126	2267510	CABLE ASSEMBLY-LEFT (5')
22	2032061	TUBE- COMPOSITE 42"	70	2260283	CONTROL BOX COVER-MAXXUM	127	2265430	CABLE JACKET (5')
	2032067	TUBE- COMPOSITE 52"	71	2372100	SCREW-8-18 X 5/8 (4 REQ'D)	128	2265110	BOOT-CONTROL BOX
23	2091150	PROPELLER (W.WEDGE)	72	2265518	DECAL COVER, MAXXUM 50/SC	129	2265115	BOOT-FOOT PEDAL BASE
24	2051700	LOCKWASHER-PROP	73	2260150	POINTER DISC TRNSLCNT RED	130	2372100	SCREW-8-18 X 5/8 (2 REQ'D)
25	2053100	NUT-PROP	74	2265800	DECAL-INDICATOR	131	2261714	WASHER- MAXXUM FT PDL
26	2092600	PIN-DRIVE	75	2262531	CONTROL BOX-PLASTIC	132	2261900	BRACKET-CONDUIT
27	2771975R	MOUNT, BOW ASSEMBLY (42" SHAFT)	76	2375400	SHRINK TUBE 1/4X1-3/4	133	2031310	SCREW 8-18X1/2 (2 REQ'D)
	2771974R	MOUNT, BOW ASSEMBLY (52" SHAFT)	77	2020713	TERMINAL ADAPTOR MAX50/SC (2 REQ'D)	134	2263210	BRACKET-CONDUIT ADJUSTMENT
28	2264206	ARM UPPER FW (42" SHAFT)	78	2262109	SCREW-8-32 X 1/2 (3 REQ'D)	135	2262720	SPRING-CONDUIT ADJUSTMENT
	2264216	ARM UPPER-FW (52" SHAFT)	79	2267800	GEAR-INDICATOR (3 REQ'D)	136	2263460	SCREW-1/4-20 X 2"
29	2260513	HINGE PIN -MAX AT	80	2262220	INDICATOR-DRIVE	137	2261224	LEADWIRE/ RING TERMINAL
30	2293501	BUSHING (4 REQ'D)	81	2261905	BRACKET/INDICATOR	138	2020700	TERMINAL RING, 3/8" (2 REQ'D)
31	2263500	BOLT, SHOULDER (4 REQ'D)	82	2264015	LIGHT/INDICATOR	139	2256300	TIE WRAP-5.5' BLACK
32	2994307	ARM-LOWER ASSEMBLY STD (42" SHAFT)	83	2301310	SCREW-8-18 X 1/2	140	2263201	CLAMP WIRE HARNESS MICRO
	2994315	ARM-LOWER ASSEMBLY LG (52" SHAFT)	84	2263201	CLAMP WIRE HARNESS	141	2332103	SCREW-6-20 X 3/8
33	2999266H	MOTOR REST ASSEMBLY (42" SHAFT)	85	2301310	SCREW-8-18 X 1/2	142	2260301	CONNECTING WIRE (SWITCH)
	2999265H	MOTOR REST ASSEMBLY LG (52" SHAFT)	86	2355410	SHRINK TUBE-3/8 OD X 2"	143	2260312	WIRE -BLK/WHT 19 1/4"
34	2261505	SPACER, MOTOR REST (6 REQ'D)	87	2335400	SHRINK TUBE-1/2 OD X 2" (2 REQ'D)	144	2260322	WIRE -BLK/BLU 12"
35	2251962	BOW PLATE ASSEMBLY (42" SHAFT)	88	2232360	PULLEY-CABLE DRUM	145	22666411	BOTTOM PLATE A/T FT PDL
	2251972	BOW PLATE ASSEMBLY (52" SHAFT)	89	2261730	WASHER-NYLON	146	9953104	SCREW-8X1/2 (8 REQ'D)
36	2251601	ROPE- 40'	*90	2267805	PINION DRIVE	147	2265606	DECAL - ALL TERRAIN
37	2150400	PULL-GRIP	*91	2266246	TOP BEARING RACE	148	2994830	BAG ASSEMBLY-MAXXUM FW
38	2261707	WASHER 3/8X1/2 (2 REQ'D)	92	2263410	SCREW-8-32 X 5/16 (2 REQ'D)	*149	2263431	SCREW 1/4-20 X 3.5 (6 REQ'D) ORDER 148
39	2236000	BEARING NYL INER (2 REQ'D)	93	2992029	FOOT PEDAL ASSEMBLY 5 SPEED	*151	2261713	WASHER-1/4 FLAT (6 REQ'D) ORDER 148
40	2263434	SCREW-8-18X1 (2 REQ'D)	94	2790002	FOOT PEDAL/PLUG ASSEMBLY	*152	2263103	NUT-1/4-20 (6 REQ'D) ORDER 148
41	2152610	SPRING-PIN (LOCKBAR) (2 REQ'D)	95	2263700	PUSH-BUTTON, FOOT PEDAL	*153	2301720	WASHER-MOUNTING, RUBBER (6 REQ'D) ORDER 148
42	2233600	LOCK BAR- BOW MOUNT	96	2302732	SPRING LOWER PEDAL			NOT SHOWN - FOR 52" SHAFT ONLY
43	2233602	LOCK BAR- REAR	97	2264020	SWITCH	2260330		WIRE EXTENSION 10GA BLACK
44	2152700	SPRING-(LOCKBAR)	97A	2265140	BOOT- MICROSWITCH	2260331		WIRE EXTENSION 10GA RED
45	2262703	SPRING STOP	98	2262114	SCREW MOUNTING/SWITCH (2 REQ'D)	2260332		WIRE EXTENSION 16 GA WHITE
46	2153603	EYE SHAFT -2LOCKBAR (42" SHAFT)	99	2233100	NUT-SWITCH MOUNT (2 REQ'D)	2260333		WIRE EXTENSION 16GA YELLOW
	2153605	EYE SHAFT -2LOCKBAR (52" SHAFT)	100	2264026	SWITCH 5 SPEED	2355410		SHRINK TUBE 3/8X2 (2 REQ'D)
47	2260506	HINGE PIN (HEADLESS) ZINC	101	2261701	LOCKWASHER-STAR	2375400		SHRINK TUBE 1/4X1-3/4 (2 REQ'D)
48	2293810	YOKE, MAXXUM MOUNT	102	2263105	NUT- HEX			
49	2991999	BOWGUARD ASSEMBLY FT CTRL MAX 42"	103	2261715	SPACER- SWITCH 5 SPEED			
	2991988	BOWGUARD ASSEMBLY FT CTRL XL MAX 52"	104	2260170	KNOB-SPEED CONTROL			
50	2271935	BRACKET ASSEMBLY (INCL 37-46)	105	2263000	E-RING			

* This item is part of an assembly. This item cannot be sold separately due to machining and /or assembly that is required.

Maxxum Bowmount Series Wiring Diagrams

Max 50/SC

