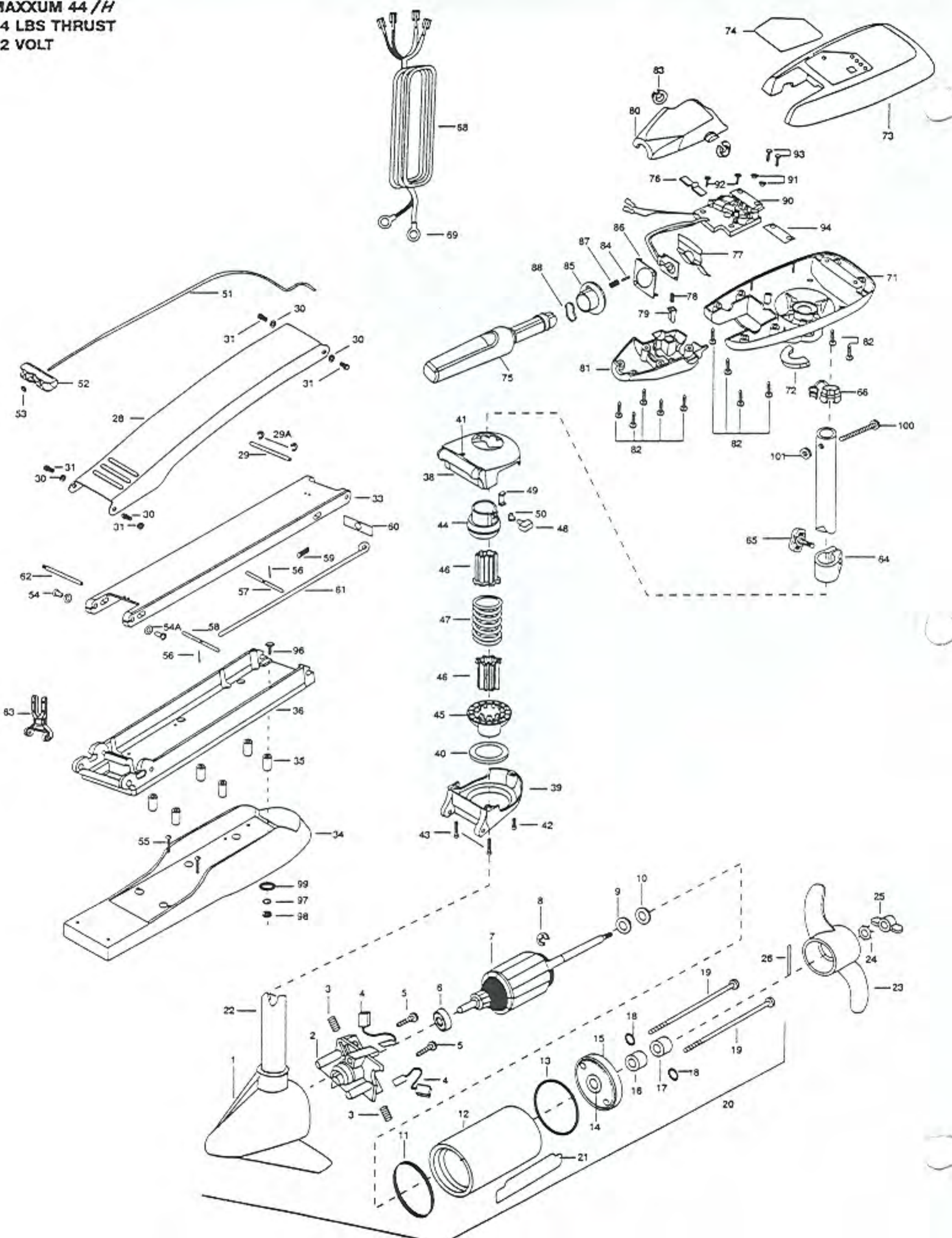


MAXXUM 44 / H
44 LBS THRUST
12 VOLT



In the U.S.A., replacement parts may be ordered directly from MINN KOTA Parts Dept., P.O. Box 100, Mankato, Minnesota 56001. In Canada, parts may be ordered from any of the Canadian Authorized Service Centers shown on the enclosed list. Be sure to provide the MODEL and SERIAL numbers of your motor when ordering parts. Please use the correct part numbers from the parts list. Payment for any parts ordered from the MINN KOTA parts department, may be by cash, personal check, Discover Card MasterCard or VISA. To order, call 1-800-227-6433 or FAX 1-800-527-4464.

Fuera de los Estados Unidos, consulte la lista anexa para ubicar el Centro de servicio autorizado MINN KOTA. No olvide incluir el número del MODELO y el número de SÉRIE del motor para el cual se solicitan las piezas. Usar siempre los números de pieza correctos indicados en la lista de piezas.

Hors de États-Unis, voir la liste ci-jointe pour le Centre de Service Agréé MINN KOTA le plus proche. Lors d'une commande, ne pas oublier de fournir le numéro de modèle et le numéro de série du moteur. Toujours mentionner le numéro de pièce exact figurant sur la liste des pièces de rechange.

Fora da América do Norte, consulte a lista anexa para identificar o Centro de Serviço Autorizado MINN KOTA. Não deixe de incluir o número do MODELO e o número de SÉRIE do seu motor ao pedir peças. Sempre use os números corretos das peças da lista de peças.

1	409023	ENDBELL- FRONT	*33	2264302	ARM-LOWER FW	66	2052900	STRAIN RELIEF-COIL CORD
2	406403	BRUSH PLATE ASSEMBLY	34	2999266	MOTOR REST ASSEMBLY	68	2090600	LEADWIRE (10 GA) W/RINGS
3	406082	BRUSH SPRING (2 REQ'D)	35	2261505	SPACER- MOTOR REST (6 REQ'D)	69	2020700	RING TERMINIAL 3/8
4	406071	BRUSH ASSEMBLY (2 REQ'D)	36	2251967	BOW PLATE STD FW HAND CONTROL	71	2062585	CONTROL BOX FW .725 BORE ZN
5	406342	BRUSH PLATE SCREW (2 REQ'D)	37	2991990	BOWGUARD ASSEMBLY (INCL 38-50)	72	2061512	COLLAR-CONTROL BOX
6	406010	BALL BEARING	*38	2991992	BRACKET-TOP /INSERT ASSEMBLY	73	2990294	CNTRL BOX COVER/DECAL ASSEMBLY
7	406208	ARMATURE ASSEMBLY 44 MAXXUM	*39	2991993	BRACKET-BOTTOM /BEARING ASSEMB	74	2265533	DECAL COVER, MAXXUM 44/H
8	405300	E-RING	*40	2261531	BEARING, BOWGUARD	75	2990914	HANDLE ASSEMBLY W/O U-JOINT
9	406170	THRUST WASHER- STEEL (AS REQ'D)	*41	2232351	EYELET-ROPE	76	2302742	SPRING-DETENT OFF
10	405171	THRUST WASHER- NYLON (AS REQ'D)	*42	2263402	SCREW 1/4-20 X 3/4	77	2302743	SPRING-DETENT, HANDLE-TILT
11	406490	GASKET	*43	2263403	SCREW 1/4-20 X 2-1/4 (2 REQ'D)	78	2302745	SPRING-RELEASE BUTTON
12	409259	CENTER SECTION W/MAGNETS	*44	2261525	SPRING-SLEEVE UPPER	79	2303720	RELEASE BUTTON-HANDLE
13	406470	O-RING	*45	2261535	SPRING SLEEVE LWR	80	20604092	HANDLE (TOP HALF)
14	406600	FLANGE BEARING (SERVICE ONLY)	*46	2264701	INSERT-TUBE (2 REQ'D)	81	060415	HANDLE (LOWER HALF)
15	406033	PLAIN END HOUSING	*47	2262704	SPRING, BOWGUARD	82	2303412	SCREW-6-20 X 5/8 SELF TAP (11 REQ'D)
16	406461	SEAL	48	2011365	SCREW-COLLAR/NEW KNOB	83	2060005	BEARING-HANDLE PIVOT (2 REQ'D)
17	406471	SEAL CUP	*49	2262800	TENSION BLOCK -ALUMINUM	84	2302600	PIN-ACTUATOR
18	405462	O-RING- THRU BOLT (2 REQ'D)	*50	2263100	NUT-1/4-20 INSERT	85	2302850	ACTUATOR-CAM
19	406353	THRU BOLT (2 REQ'D)	51	2251601	ROPE (40"), MAXXUM MOUNT	86	2302851	ACTUATOR- FWD/REV
20	2099063	MOTOR ASSEMBLY (44M/H 42")	52	2150400	PULL-GRIP	87	2302740	SPRING- (ACTUATOR)
21	2006602	DECAL-LOWER UNIT	53	2151700	WASHER-EYE SHAFT(.562 OD)	88	2302741	SPRING-CAM
22	2032084	TUBE-CARBON COMPOSITE 43-3/4	54	2236000	BEARING NYLINER (2 REQ'D)	90	2194000	CONTROL BOARD ASSEMBLY 44/H
23	2091150	PROPELLER	54A	2261707	WASHER- 3/8 X 1/2	91	2301710	WASHER-INSUL. (2 REQ'D)
24	2051700	LOCKWASHER	55	2263434	SCREW- 8-18 X 1 (2 REQ'D)	92	2372100	SCREW-8-18 X 5/8 (2 REQ'D)
25	2053100	NUT- PROP	56	2152610	SPRING-PIN (LOCKBAR-2 REQ'D)	93	2301310	SCREW-8-18 X 1/2 (2 REQ'D)
26	2092600	PIN- DRIVE	57	2233600	LOCK BAR	94	2365105	INSULATED PAD
27	2774975 2771985	MOUNT, BOW ASSEMBLY, 2771985	58	2233602	LOCK BAR- REAR	95	2994830	BAG ASSEMBLY-MAXXUM FW
28	2264206	ARM-UPPER FW	59	2152700	SPRING- (LOCKBAR)	*96	2263431	SCREW 1/4-20 X 3.5 (6 REQ'D)
29	2260513	HINGE PIN MAX, AT PLATED	60	2262703	SPRING STOP	*97	2261713	WASHER-1/4 FLAT (6 REQ'D)
29A	2263010	E-RING 3/8 DIA SHAFT	61	2153603	EYE SHAFT- 2LOCKBAR	*98	2263103	NUT-1/4-20 NYLOCK JAM (6 REQ'D)
30	2293501	BUSHING (4 REQ'D)	62	2260506	HINGE-PIN (HEADLESS) ZINC	*99	2301720	WASHER-MOUNTING RUBBER (6 REQ'D)
31	2263500	BOLT, SHOULDER (4 REQ'D)	63	2293810	YOKE, MAXXUM MOUNT	100	2033400	SCREW 10-24 X 1-3/4
32	2994307	ARM-LOWER FW ASSEMBLY (INCL 33, 51, 52, 56, 57, 58, 59, 60, 61)	64	2031520	COLLAR-DEPTH (W/O INSERT)	101	2263110	NUT 10-24 TOPLOCK ZN
			65	2011365	SCREW-COLLAR/NEW KNOB			

PARTS LIST

MAX 44/H

* This item is part of an assembly. This item cannot be sold separately due to machining and /or assembly that is required.

