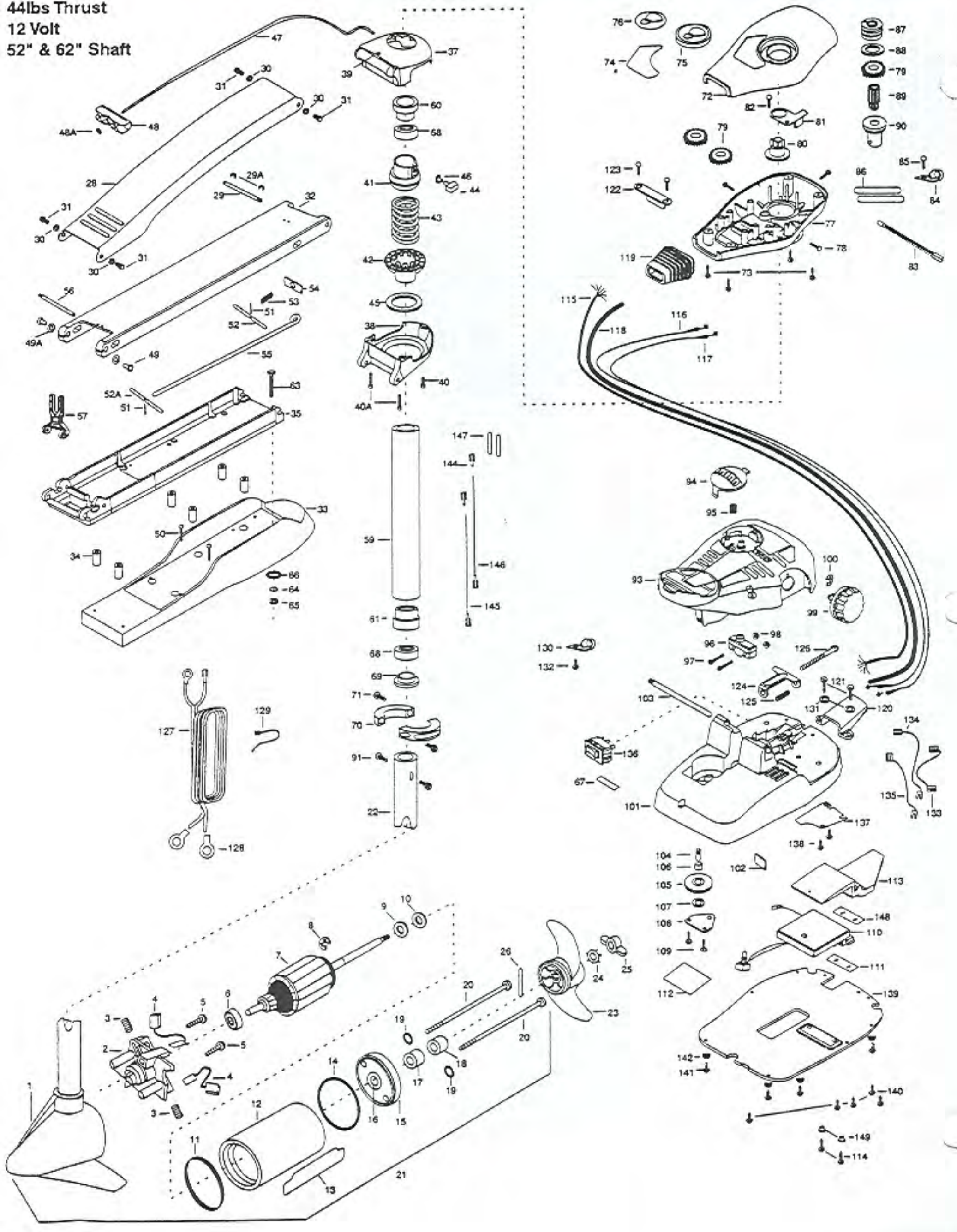


44MAXXUM
44lbs Thrust
12 Volt
52" & 62" Shaft



In the U.S.A., replacement parts may be ordered directly from MINN KOTA Parts Dept., P.O. Box 100, Mankato, Minnesota 56001. In Canada, parts may be ordered from any of the Canadian Authorized Service Centers shown on the enclosed list. Be sure to provide the model and serial numbers of your motor when ordering parts. Please use the correct part numbers from the parts list. Payment for any parts ordered from the MINN KOTA parts department, may be by cash, personal check, Discover Card, MasterCard or VISA. To order, call 1-800-227-6433 or FAX 1-800-527-4464.

Fuera de los Estados Unidos, consultar la lista anexa para ubicar el Centro de Servicio autorizado MINN KOTA. No olvidar de incluir el número del MODELO y el número de SERIE del motor para el cual se solicitan las piezas. Usar siempre los números de pieza correctos indicados en la lista de piezas.

Hors de États-Unis, voir la liste ci-jointe pour le Centre de Service Agréé MINN KOTA le plus proche. Lors d'une commande, ne pas oublier de fournir le numéro de modèle et le numéro de série du moteur. Toujours mentionner le numéro de pièce exact figurant sur la liste des pièces de rechange.

Fora da América do Norte, consultar a lista anexa para identificar o Centro de Serviço Autorizado MINN KOTA. Não deixe de incluir o número ou MODELO e o número de SÉRIE do seu motor ao pedir peças. Sempre use os números corretos das peças da lista de peças.

1	409023	BRUSH END HOUSING	49A	2261707	WASHER 3/8 X 1/200 (2 REQ'D)	100	2263000	E-RING
2	406403	BRUSH PLATE ASSEMBLY	50	2263434	SCREW-8-18 X 1 (2 REQ'D)	101	2774550	FOOT PEDAL BASE ASSEMBLY (INCL. 101,102,104)
3	406082	BRUSH SPRING (2 REQ'D)	51	2152610	SPRING-PIN (LOCKBAR) (2 REQ'D)	*102	2266413	PLATE-TENSION SCREW
4	406071	BRUSH ASSEMBLY	52	2233600	LOCK BAR- BOW MOUNT	103	2260511	PIN-PIVOT
5	406342	BRUSH PLATE SCREW (2 REQ'D)	52A	2233602	LOCK BAR- BOW MOUNT REAR	*104	2260515	PIN-PULLEY AXLE
6	406010	BALL BEARING	53	2152700	SPRING (LOCKBAR)	105	2262300	PULLEY (FOOT PEDAL)
7	406208	ARMATURE ASSEMBLY	54	2262703	SPRING STOP MAXXUM	106	2260000	BEARING-PULLEY
8	406300	E-RING	55	2153605	EYE SHAFT -2LOCKBAR LONG	107	2261706	WASHER-NYLATRON
9	406170	THRUST WASHER- STEEL (AS REQ'D)	56	2260506	HINGE PIN (HEADLESS) ZINC	108	2266400	COVER-PULLEY
10	405171	THRUST WASHER- NYLON (AS REQ'D)	57	2293810	YOKE, MAXXUM MOUNT	109	2301310	SCREW-8-18 X 1/2 (2 REQ'D)
11	406490	GASKET	58	2992014	TUBE W/BEARING RACE (62" SHAFT)	110	2264005	CONTROL BOARD ASSEMBLY 12V
12	409259	CENTER SECTION W/MAGNETS		2992016	TUBE W/BEARING RACE (52" SHAFT)	111	2365106	INSULATING PAD (1.1 X 2.75)
13	2006601	DECAL-LOWER UNIT	*59	2272067	TUBE OUTER 24" -ORDER 58	112	2365107	INSULATING PAD (2.3 X 3.2)
14	406470	O RING		2272068	TUBE OUTER 34" -ORDER 58	113	2264018	HEAT SINK, MAXXUM FT
15	406033	PLAIN ENDBELL	60	2266260	BEARING RACE	114	2263447	SCREW-8-32 X 1 (2 REQ'D)
16	406600	FLANGE BEARING (SERVICE ONLY)	61	2266220	BEARING RACE-STEEL	115	2281219	WIRE HARNESS A/T & MAX
17	406461	SEAL	62	2994830	BAG ASSEMBLY-MAXXUM FW	116	2267500	CABLE ASSEMBLY-RIGHT (5')
18	406471	SEAL - CUP	*63	2263431	SCREW 1/4-20 X 3.5 (6 REQ'D) ORDER 62	117	2267510	CABLE ASSEMBLY-LEFT (5')
19	405462	O-RING - THRU BOLT (2 REQ'D)	*64	2261713	WASHER-1/4 FLAT (6 REQ'D) ORDER 62	118	2265430	CABLE JACKET (5')
20	406353	THRU BOLT (2 REQ'D)	*65	2263103	NUT-NYLOCK JAM 1/4-20 (6 REQ'D) ORDER 62	119	2265110	BOOT CONTROL BOX
21	2099063	MOTOR-ASSEMBLY 44MAX 62"	*66	2301720	WASHER-MOUNTING, RUBBER (6 REQ'D) ORDER 62	120	2265115	BOOT-FOOT PEDAL BASE
	2099064	MOTOR-ASSEMBLY 44MAX 52"	67	2266610	DECAL-ON/OFF SWITCH	121	2372100	SCREW-8-18 X 5/8 FT PDL (2 REQ'D)
22	2032067	TUBE- COMPOSITE 52"	68	2266000	BEARING BALL-STEEL (2 REQ'D)	122	2261900	BRACKET-CONDUIT
	2032066	TUBE- COMPOSITE 62"	69	2266115	BEARING CONE	123	2263434	SCREW-8-18X1 (2 REQ'D)
23	2091150	PROPELLER (W.WEDGE)	70	2771615	COLLAR HALVES KIT	124	2263210	BRACKET-CONDUIT ADJUSTMENT
24	2051700	LOCKWASHER-PROP	71	2263450	SCREW-10-24 X 7/8 (2 REQ'D)	125	2262720	SPRING-CONDUIT ADJUSTMENT
25	2053100	NUT-PROP	72	2260263	CONTROL BOX COVER-MAXXUM	126	2263460	SCREW-1/4-20 X 2"
26	2092600	PIN-DRIVE	73	2372100	SCREW-8-18 X 5/8 (4 REQ'D)	127	2261227	LEADWIRE -VARIABLE
27	2991974	MOUNT, BOW ASSEMBLY FW LONG	74	2265531	DECAL COVER, MAXXUM 44	128	2020700	TERMINAL RING, 3/8" (2 REQ'D)
28	2264216	ARM UPPER FW LONG	75	2260150	POINTER DISC TRANSLCNT RED	129	2256300	TIE WRAP-5.5" BLACK
29	2260513	HINGE PIN -MAX AT	76	2265800	DECAL-INDICATOR	130	2263201	CLAMP WIRE HARNESS MICRO
29A	2263010	E-RING 3/8 DIA SHAFT	77	2262531	CONTROL BOX-PLASTIC	131	2261714	WASHER- MAXXUM FT PDL (2 REQ'D)
30	2293501	BUSHING (4 REQ'D)	78	2262109	SCREW-8-32 X 1/2 (3 REQ'D)	132	2332103	SCREW-6-20 X 3/8 (2 REQ'D)
31	2263500	BOLT, SHOULDER (4 REQ'D)	79	2267800	GEAR-INDICATOR (3 REQ'D)	133	2260316	CONNECTING WIRE (VAR SPD)
32	2774315	ARM LOWER ASSEMBLY FW LONG	80	2262220	INDICATOR DRIVE	134	2260312	WIRE -BLK/WHIT 19 1/4"
33	2999265	MOTOR REST ASSEMBLY LONG	81	2261905	BRACKET/INDICATOR	135	2260323	WIRE -BLK/GRN VARIABLE
34	2261506	SPACER, MOTOR REST (6 REQ'D)	82	2301310	SCREW-8-18 X 1/2	136	2254031	SWITCH-MOM/OFF/COM
35	2251972	BOW PLATE LONG W/INSERT ASSEMBLY	83	2264015	LIGHT/INDICATOR	137	2266412	SWITCH PLATE, FT PEDAL
36	2771088	BOWGUARD ASSEMBLY (INCL 37-46)	84	2263201	CLAMP WIRE HARNESS	138	2332103	SCREW-6-20 X 3/8 (2 REQ'D)
*37	2991992	BRACKET BASE-TOP W/INSERT ASSEMBLY	85	2301310	SCREW-8-18 X 1/2	139	2264510	BOTTOM PLATE, MAXXUM
*38	2991993	BRACKET BASE BOTTOM W/BEARING ASSEMBLY	86	2355410	SHRINK TUBE-3/8 OD X 2" (2 REQ'D)	140	9953104	SCREW-8 X 1/2 (5 REQ'D)
*39	2232351	EYELET-ROPE	87	2232360	PULLEY-CABLE DRUM	141	2263455	SCREW #12-14 X 1/2 (4 REQ'D)
*40	2263402	SCREW 1/4-20 X 3/4	88	2261730	WASHER-NYLON	142	2265126	BUMPER PAD, FOOT PEDAL (4 REQ'D)
*40A	2263420	BOLT 1/4-20 X 2 (2 REQ'D)	*89	2267805	PINION DRIVE	144	2030710	CONNECTOR BUTT (2 REQ'D, 62" ONLY)
*41	2261525A	SPRING-SLEEVE UPPER	*90	2266246	TOP BEARING RACE	145	2030317	WIRE EXTENSION 18" RED (62" ONLY)
*42	2261535	SPRING SLEEVE LWR	91	2263410	SCREW-8-32 X 5/16 (2 REQ'D)	146	2030316	WIRE EXTENSION 18" BLACK (62" ONLY)
*43	2262706	SPRING, BOWGUARD, NIK PL	92	2992021	FOOT PEDAL ASSEMBLY MAX 44 12V	147	2375400	SHRINK TUBE (2 REQ'D, 62" ONLY)
44	2011365	SCREW-COLLAR/NEW KNOB	93	2790002	FOOT PEDAL/PLUG ASSEMBLY	148	2265106	INSULATING PAD
*45	2261531	BEARING BOWGUARD	94	2263700	PUSH-BUTTON, FOOT PEDAL	149	2261712	INSULATING WASHER MAX FT
*46	2263100	NUT-1/4-20 INSERT	95	2302732	SPRING-LOWER PEDAL			
47	2251601	ROPE- 40"	96	2264023	SWITCH-SEALED ASSEMBLY			
48	2150400	PULL-GRIP	97	2262114	SCREW-MOUNTING/SWITCH (2 REQ'D)			
48A	2151700	WASHER-EYE SHAFT .562 OD	98	2233100	NUT-SWITCH MOUNT (2 REQ'D)			
49	2236000	BEARING NYLINER (2 REQ'D)	99	2260160	KNOB-SPEED CONTROL			

* This item is part of an assembly. This item cannot be sold separately due to machining and /or assembly that is required.

Maxxum Bowmount Series Wiring Diagrams

Max 44

