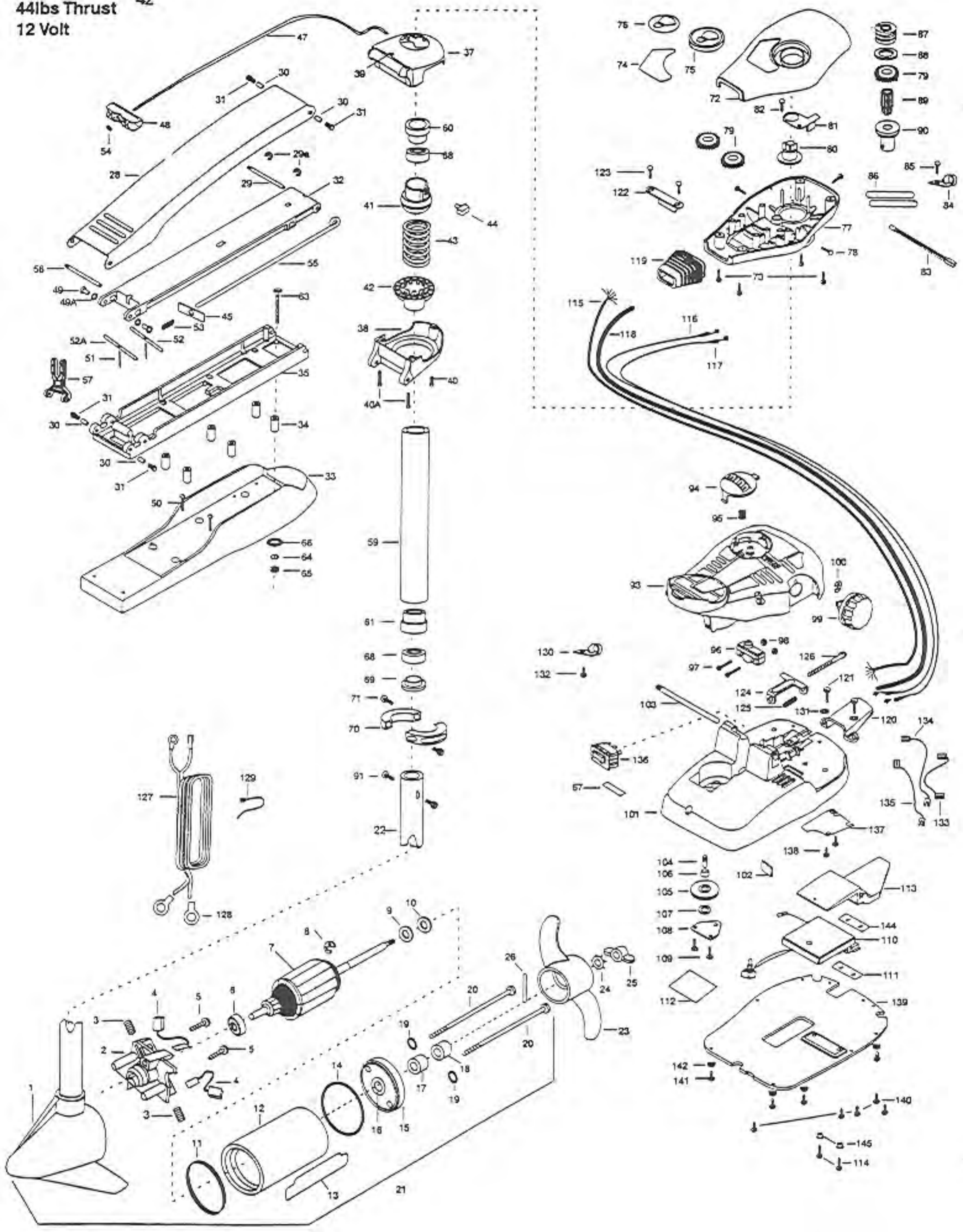


44MAXXUM  
44lbs Thrust  
12 Volt

42"



In the U.S.A., replacement parts may be ordered directly from MINN KOTA Parts Dept., JWA MARINE, 706 Highway 101, Mankato, Minnesota 56001. In Canada, parts may be ordered from any of the Canadian Authorized Service Centers shown on the enclosed list. Be sure to provide the MODEL and SERIAL numbers of your motor when ordering parts. Please use the correct part numbers from the parts list. Payment for any parts ordered from the MINN KOTA parts department, may be by cash, personal check, Discover Card MasterCard or VISA. To order, call 1-800-227-6433 or FAX 1-800-527-4464.

Parts may be ordered directly from MINN KOTA Parts Dept., JWA MARINE, 706 Highway 101, Mankato, Minnesota 56001. In Canada, parts may be ordered from any of the Canadian Authorized Service Centers shown on the enclosed list. Be sure to provide the MODEL and SERIAL numbers of your motor when ordering parts. Please use the correct part numbers from the parts list. Payment for any parts ordered from the MINN KOTA parts department, may be by cash, personal check, Discover Card MasterCard or VISA. To order, call 1-800-227-6433 or FAX 1-800-527-4464.

Fuera de los Estados Unidos, consulte la lista anexa para ubicar el Centro de Servicio autorizado MINN KOTA. No olvide incluir el número del MODELO y el número de SERIE del motor para el cual se solicitan las piezas. Usar siempre los números de pieza correctos indicados en la lista de piezas.

Hors de États-Unis, voir la liste ci-jointe pour le Centre de Service Agréé MINN KOTA le plus proche. Lors d'une commande, ne pas oublier de fournir le numéro de modèle et le numéro de série du moteur. Toujours mentionner le numéro de pièce exact figurant sur la liste des pièces de rechange.

Fora da América do Norte, consulte a lista anexa para identificar o Centro de Serviço Autorizado MINN KOTA. Não deixe de incluir o número do MODELO e o número de SÉRIE do seu motor ao pedir peças. Sempre use os números corretos das peças da lista de peças.

1	409023	PLAIN ENDBELL	50	2263434	SCREW-8-18X1 (2 REQ'D)	100	2263000	E-RING
2	406403	BRUSH PLATE ASSEMBLY	51	2152610	SPRING-PIN (LOCKBAR) (2 REQ'D)	101	2992100	FOOT PEDAL BASE/ PIN ASSEMBLY
3	406082	BRUSH SPRING (2 REQ'D)	52	2233600	LOCK BAR- BOW MOUNT	*102	2266413	PLATE-TENSION SCREW
4	406071	BRUSH ASSEMBLY	52A	2233602	LOCK BAR- BOW MOUNT REAR	103	2260511	PIN PIVOT
5	406342	BRUSH PLATE SCREW (2 REQ'D)	53	2152700	SPRING (LOCKBAR)	*104	2260515	PIN-PULLEY-AXLE
6	406010	BALL BEARING	54	2151700	WASHER-EYE SHAFT .562 OD	105	2262300	PULLEY (FOOT PEDAL)
7	406208	ARMATURE ASSEMBLY	55	2153603	EYE SHAFT (42" SHAFT)	106	2260000	BEARING-PULLEY
8	405300	E-RING	56	2260508	HINGE-PIN (HEADLESS) ZINC	107	2261705	WASHER-NYLATRON
9	406170	THRUST WASHER- STEEL (AS REQ'D)	57	2293810	YOKE, MAXXUM MOUNT	108	2266400	COVER-PULLEY
10	405171	THRUST WASHER- NYLON (AS REQ'D)	58	2992012	TUBE W/BEARING RACE (42" SHAFT)	109	2301310	SCREW-8-18 X 1/2 (2 REQ'D)
11	406490	GASKET	*59	2272069	TUBE OUTER 21" 4 HOLES -ORDER 58	110	2264005	CONTROL BOARD ASSEMBLY 12V
12	409259	CENTER SECTION W/MAGNETS	60	2266260	BEARING RACE	111	2365106	INSULATING PAD (1.1 X 2.75)
13	2006601	DECAL-LOWER UNIT	61	2266220	BEARING RACE-STEEL	112	2365107	INSULATING PAD (2.3 X 3.2)
14	406470	O-RING	62	2994830	BAG ASSEMBLY-MAXXUM FW	113	2264018	HEAT SINK, MAXXUM FT
15	406033	BRUSH END HOUSING	*63	2263431	SCREW 1/4-20 X 3.5 (6 REQ'D) ORDER 62	114	2263447	SCREW-8-32 X 1 (2 REQ'D)
16	406600	FLANGE BEARING	*64	2261713	WASHER-1/4 FLAT (6 REQ'D) ORDER 62	115	2261219	WIRE HARNESS
17	406481	SEAL	*65	2263103	NUT 1/4-20 NYLOCK JAM (6 REQ'D) ORDER 62	116	2267500	CABLE ASSEMBLY-RIGHT (5')
18	406471	SEAL- CUP	*66	2301720	WASHER-MOUNTING, RUBBER (6 REQ'D) ORDER 62	117	2267510	CABLE ASSEMBLY-LEFT (5')
19	405462	O-RING - THRU BOLT (2 REQ'D)	67	2266610	DECAL ON/OFF SWITCH	118	2265430	CABLE JACKET (5')
20	406353	THRU BOLT (2 REQ'D)	68	2266000	BEARING BALL-STEEL (2 REQ'D)	119	2265110	BOOT-CONTROL BOX
21	2099063	MOTOR-ASSEMBLY 44MAX	69	2266115	BEARING CONE	120	2265115	BOOT-FOOT PEDAL BASE
22	2032061	TUBE- COMPOSITE	70	2771615	COLLAR HALVES KIT	121	2372100	SCREW-8-18 X 5/8 FT.PDL (2 REQ'D)
23	2091150	PROPELLER (W.WEDGE)	71	2263450	SCREW-10-24 X 7/8 (2 REQ'D)	122	2261900	BRACKET-CONDUIT
24	2051700	LOCKWASHER-PROP	72	2260283	CONTROL BOX COVER-MAXXUM	123	2263434	SCREW-8-18X1 (2 REQ'D)
25	2053100	NUT-PROP	73	2372100	SCREW-8-18 X 5/8 (4 REQ'D)	124	2263210	BRACKET-CONDUIT ADJUSTMENT
26	2092600	PIN-DRIVE	74	2265531	DECAL COVER, MAXXUM 44	125	2262720	SPRING-CONDUIT ADJUSTMENT
27	2771975	MOUNT, BOW ASSEMBLY (STD)	75	2260150	POINTER DISC TRNSLCNT RED	126	2263460	SCREW-1/4-20 X 2"
28	2264206	ARM UPPER-FW (STD)	76	2265800	DECAL-INDICATOR	127	2261227	LEADWIRE -VARIABLE
29	2260513	HINGE PIN MAX A/T PLATED	77	2262531	CONTROL BOX-PLASTIC	128	2020700	TERMINAL RING, 3/8" (2 REQ'D)
29A	2263010	E-RING 3/8 DIA SHAFT	78	2262109	SCREW-8-32 X 1/2 (3 REQ'D)	129	2256300	TIE WRAP-5.5' BLACK
30	2293501	BUSHING (4 REQ'D)	79	2267800	GEAR-INDICATOR (3 REQ'D)	130	2263201	CLAMP WIRE HARNESS MICRO
31	2263500	BOLT, SHOULDER (4 REQ'D)	80	2262220	INDICATOR-DRIVE	131	2261714	WASHER- MAX FT PDL
32	2994307	ARM-LOWER FW STD ASSEMBLY	81	2261905	BRACKET/INDICATOR	132	2332103	SCREW-6-20 X 3/8 (2 REQ'D)
33	2999268	MOTOR REST ASSEMBLY (STD)	82	2301310	SCREW-8-18 X 1/2	133	2260316	CONNECTING WIRE (VAR.SPD)
34	2261505	SPACER, MOTOR REST (6 REQ'D)	83	2264015	LIGHT/INDICATOR	134	2260312	WIRE- BLK/WHI 19 1/4"
35	2251962	BOW PLATE (STD)	84	2263201	CLAMP WIRE HARNESS	135	2260323	WIRE- BLK/GHN VARIABLE
36	2991989	BOWGUARD ASSEMBLY (INCL 37-44)	85	2301310	SCREW-8-18 X 1/2	136	2254031	SWITCH MOM/OFF/COM
*37	2991992	BRACKET BASE-TOP/INSERT ASSEMBLY	86	2355410	SHRINK TUBE-3/8 OD X 2" (2 REQ'D)	137	2266412	SWITCH PLATE, FT PEDAL
*38	2991993	BRACKET BASE BOTTOM/BEARING ASSEMBLY	87	2232360	PULLEY-CABLE DRUM	138	2332103	SCREW-6-20 X 3/8 (2 REQ'D)
*39	2232351	EYELET-ROPE	88	2261730	WASHER-NYLON	139	2264510	BOTTOM PLATE, MAXXUM
*40	2263402	SCREW 1/4-20 X 3/4	*89	2267805	PINION DRIVE	140	9953104	SCREW- 8X1/2 (5 REQ'D)
*40A	2263403	SCREW 1/4-20 X 2-1/4 (2 REQ'D)	*90	2266246	TOP BEARING RACE	141	2263455	SCREW #12-14X1/2 (4 REQ'D)
*41	2261525	SPRING-SLEEVE UPPER	91	2263410	SCREW-8-32 X 5/16 (2 REQ'D)	142	2265128	BUMBER PAD, FOOT PEDAL (4 REQ'D)
*42	2261535	SPRING-SLEEVE LWR	92	2992021	FOOT PEDAL ASSEMBLY MAX 44-12V	144	2265105	INSULATING PAD
*43	2262706	SPRING, BOWGUARD, NIK PL	93	2790002	FOOT PEDAL /PLUG ASSEMBLY	145	2261712	INSULATING WASHER (2 REQ'D)
44	2011365	SCREW-COLLAR/NEW KNOB	94	2263700	PUSH-BUTTON, FOOT PEDAL			
45	2262703	SPRING STOP	95	2302732	SPRING LOWER PEDAL			
47	2251601	ROPE- 40'	96	2264023	SWITCH-SEALED ASSEMBLY			
48	2150400	PULL-GRIP	97	2262114	SCREW-MOUNTING/SWITCH (2 REQ'D)			
49	2236000	BEARING NYLINER (2 REQ'D)	98	2233100	NUT-SWITCH MOUNT (2 REQ'D)			
49A	2261707	WASHER 3/8X1/2 (2 REQ'D)	99	2260160	KNOB-SPEED CONTROL			

\* This item is part of an assembly. This item cannot be sold separately due to machining and /or assembly that is required.

# Maxxum Bowmount Series Wiring Diagrams

Max 44

