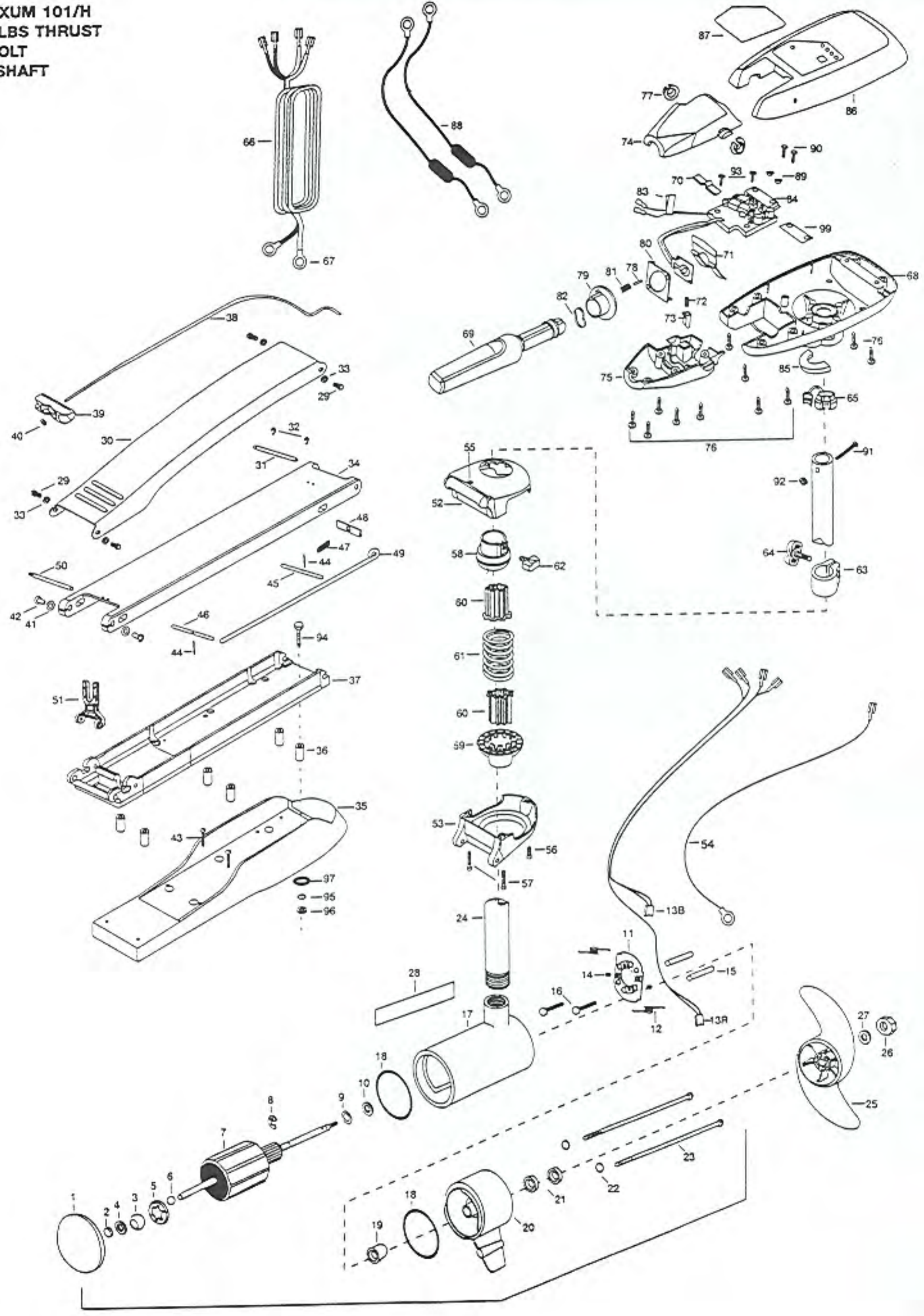


MAXXUM 101/H
101 LBS THRUST
36 VOLT
52" SHAFT



In the U.S.A., replacement parts may be ordered directly from MINN KOTA Parts Dept., JWA MARINE, 706 Holly Lane, Marikot, Minnesota 55040. Centers shown on the enclosed parts list. Please use the correct part numbers from the parts list. Payment for any parts ordered from the MINN KOTA parts department, may be by cash, personal check, Discover Card MasterCard or VISA. To order, call 1-800-227-6433 or FAX 1-800-527-4464.

In Canada, parts may be ordered from any of the Canadian Authorized Service Centers shown on the enclosed parts list. Be sure to provide the model and serial numbers of your motor when ordering parts. Payment for any parts ordered from the MINN KOTA parts department, may be by cash, personal check, Discover Card MasterCard or VISA. To order, call 1-800-227-6433 or FAX 1-800-527-4464.

Fuera de los Estados Unidos, consultar la lista anexa para ubicar el Centro de servicio autorizado MINN KOTA. No dejar de incluir el número del MODELO y el número de SERIE del motor para el cual se solicitan las piezas. Usar siempre los números de pieza correctos indicados en la lista de piezas.

Hors de États-Unis, voir la liste ci-jointe pour le Centre de Service Agréé MINN KOTA le plus proche. Lors d'une commande, ne pas oublier de fournir le numéro de modèle et le numéro de série du moteur. Toujours mentionner le numéro de pièce exact figurant sur la liste des pièces de rechange.

Fora da América do Norte, queira consultar a lista anexa para identificar o Centro de Serviço Autorizado MINN KOTA. Não deixe de incluir o número do MODELO e o número de SÉRIE do seu motor ao pedir peças. Sempre use os números corretos das peças da lista de peças.

PARTS LIST

1	2-400-160	PLAIN END HOUSING ASSEMBLY	37	2251967	BOWPLATE,STD FW-MACH	75	2060415	HANDLE (LOWER HALF)
2	303-043	THRUST DISC- METAL	38	2251601	ROPE (40"), MAXXUM MOUNT	76	2303412	SCREW-6-20 X 5/8 SELF TAP [11.EA]
3	144-021	BEARING -SPHERICAL	39	2150400	PULL-GRIP	77	2060005	BEARING-HANDLE PIVOT [2.EA]
4	991-040	WASHER FELT	40	2151700	WASHER-EYE SHAFT(.562 OD)	78	2302600	PIN-ACTUATOR
5	784-025	BEARING RETAINER	41	2261707	WASHER-3/8"X1/2"X.016 (S/S) [2.EA]	79	2302850	ACTUATOR-CAM
6	116-025	BALL -STEEL	42	2236000	BEARING NYLINER [2.EA]	80	2302851	ACTUATOR-FWD/REV
7	2-100-110	ARMATURE ASSEMBLY	43	2263434	SCREW, 8-18 X 1" PPH S/S [2.EA]	81	2302740	SPRING-(ACTUATOR)
8	788-040	RETAINING RING	44	2152610	SPRING-PIN (LOCKBAR) [2.EA]	82	2302741	SPRING-CAM(ZNC PLTD STEEL)
9	990-051	WASHER-THRUST, STEEL	45	2233600	LOCK BAR-(BOW MOUNT)	83	2305810	TAG-AIR SWITCH LEADS
10	990-052	WASHER- NYLATRON	46	2233602	LOCK BAR, REAR - ZINC	84	2264013	CTRL BOARD ASSEMBLY-RT 101/H
11	738-004	BRUSH PLATE -4" TERMINAL	47	2152700	SPRING-(LOCKBAR) CAD.PLTD	85	2061512	COLLAR-CTRL BOX (FRS-WTR)
12	975-041	SPRING -TORSION [2.EA]	48	2262703	SPRING STOP MAXXUM	86	2990294	CTRL BOX CVR/DECAL ASSEMBLY
13R	409-071	BRUSH W/RED LEADWIRE	49	2153603	EYE SHAFT-2LOCKBAR STD SS	87	2265622	DECAL-COVER, MAX101/H
13B	409-072	BRUSH W/BLK LEADWIRE	50	2260506	HINGE-PIN (HEADLESS)ZINC	88	2998200	CIRCUIT BREAKER ASSEMBLY36V-101 [2.EA]
14	830-028	SCREW 10-32 X .164"	51	2293811	YOKE,MAX MNT-POLYPROPYLENE	89	2301710	WASHER-INSUL.(TRANSF.BAR) [2.EA]
15	973-025	SPACER -BRUSH PLATE [2.EA]	■	2994833	BAG ASSEMBLY MAX STABILIZER KIT	90	2372100	SCREW-8-18 X 5/8 THD [2.EA]
16	830-027	SCREW -SELF TRDED 10-32 X 2" [2.EA]	■	2771990	BOWGUARD ASSEMBLY-HAND CTRL	91	2033400	SCREW-10-24 X 1-3/4
17	431-110	HOUSING ASSEMBLY- CENTER	52	2771992	BRACKET BASE TOP/INSERT ASSEMBLY	92	2263110	NUT-10-24 TOPLOCK ZINC PLT
18	701-043	O-RING [2.EA]	53	2771993	BRACKET BOTTOM/BEARING ASSEMBLY	93	2301310	SCREW-8-18 X 1/2 [2.EA]
19	144-017	BEARING -FLANGE (SERVICE ONLY)	54	630-077	GREEN GROUND WIRE	■	2994830	BAG ASSEMBLY-MAXXUM
20	2-300-160	BRUSH END HOUSING ASSEMBLY	55	2232351	EYELET-ROPE	*94	2263431	SCREW 1/4-20 X 3.5 PPH [6.EA]
21	880-025	SEAL [2.EA]	56	2263402	SCREW 1/4-20 X 3/4"(ZINC)	*95	2261713	WASHER-1/4 FLAT S/S [6.EA]
22	701-009	O-RING -THRU BOLT [2.EA]	57	2263403	SCREW-1/4-20 X 2 1/4 [2.EA]	*96	2263103	NUT-1/4-20 NYLOCK-JAM S/S(S [6.EA]
23	830-096	THRU BOLT 12-24 X 11.56" SS [2.EA]	58	2261525	SPRING-SLEEVE UPPER	*97	2301720	WASHER-MOUNTING*RUBBER [6.EA]
■	2317051	MTR ASSEMBLY 36V 4" VARS [INCL 1-23]	59	2261535	SPRING SLEEVE, LOWER			
24	2032081	TUBE-CARBON COMPOSITE 52"	60	2264701	INSERT-TUBE (2 PER) B.MNT [2.EA]			
25	1378130	PROPELLER KIT INCL. 25-27	61	2262704	SPRING, BOWGUARD, HAND CT			
26	2093101	NUT-PROP,NYLOC (LARGE) MAX101	62	2011365	SCREW-COLLAR/NEW KNOB			
27	2091701	WASHER-PROP (LARGE) MAX 101	63	2031520	COLLAR-DEPTH (W/O INSERT)			
28	2006602	DECAL-LOWER UNIT, PMS122C	64	2011365	SCREW COLLAR/NEW KNOB			
■	9991975	MOUNT,BOW ASSEMBLY FW STD <i>2771985</i>	65	2052900	STRAIN RELIEF-C.CORD/SP.C			
29	2263500	BOLT, SHOULDER (MAXXUM) [4.ea]	66	2090600	LEADWIRE (10 GA) RINGS			
30	2264206	ARM-UPPER FW,STD	67	2020700	TERMINAL RING,3/8" [2.EA]			
31	2260513	HINGE PIN MAX/AT	68	2062585	CONTROL BOX,FW, 725 BORE			
32	2263010	E-RING 3/8 DIA SHAFT [2.EA]	69	2990914	HANDLE ASSEMBLY W/O U-JOINT			
33	2293501	BUSHING, STAINLESS STEEL [4.EA]	70	2302742	SPRING-DETENT(OFF)			
34	2774315	ARM-LOWER ASSEMBLY STD,FW,EXT INCL 38-40, 44-49	71	2302743	SPRING-DETENT,HANDLE-TILT			
35	2263912	MOTOR REST ASSEMBLY (STD) FW	72	2302745	SPRING-RELEASE BUTTON			
36	2261505	SPACER, MOTOR REST [6.EA]	73	2303720	RELEASE BUTTON-HANDLE			
			74	2060409	HANDLE (TOP HALF)MAXIMIZE			

MAX 101/H - 52"

* This item is part of an assembly. This item cannot be sold separately due to machining and /or assembly that is required.

Maxxum Bowmount Series Wiring Diagrams

Max 101/H

