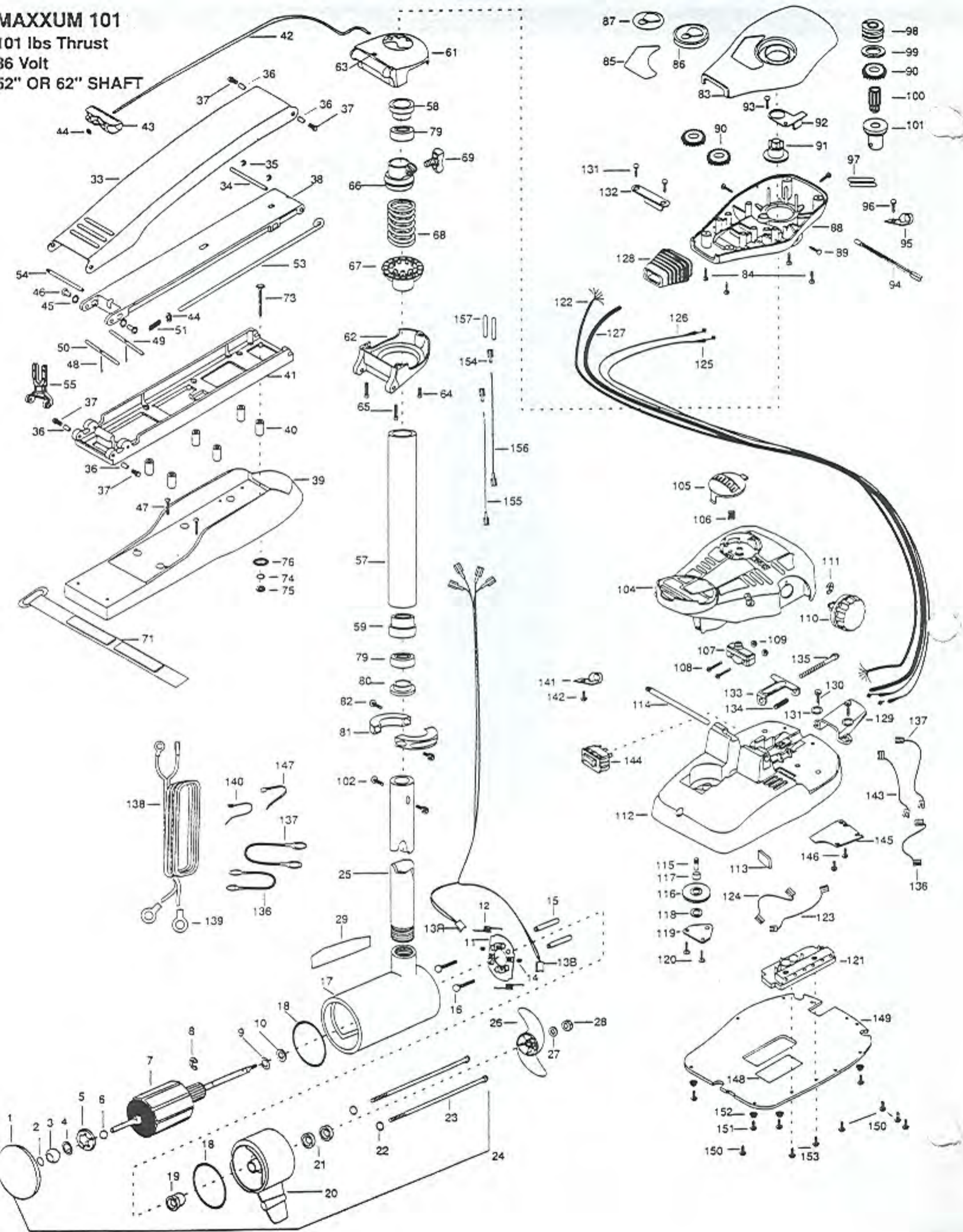


# MAXXUM 101

101 lbs Thrust

36 Volt

52" OR 62" SHAFT





In the U.S.A., replacement parts may be ordered directly from MINN KOTA Parts Dept., JWA MARINE, 706 1/2 Lane, Mankato, Minnesota 56001. In Canada, parts may be ordered from any of our Canadian Authorized Service Centers shown on the enclosed list. Be sure to provide the exact model and serial numbers of your motor when ordering parts. Please use the correct part numbers from the parts list. Payment for any parts ordered from the MINN KOTA parts department, may be by cash, personal check, Discover Card MasterCard or VISA. To order, call 1-800-227-8433 or FAX 1-800-527-4454.

Fuera de los Estados Unidos, consultar la lista anexa para ubicar el Centro de Servicio autorizado MINN KOTA. No deje de incluir el número del MODELO y el número de SERIE del motor para el cual se solicitan las piezas. Usar siempre los números de pieza correctos indicados en la lista de piezas.

Hors de États-Unis, voir la liste ci-jointe pour le Centre de Service Agréé MINN KOTA le plus proche. Lors d'une commande, ne pas oublier de fournir le numéro de modèle et le numéro de série du moteur. Toujours mentionner le numéro de pièce exact figurant sur la liste des pièces de rechange.

Fora da América do Norte, queira consultar a lista anexa para identificar o Centro de Serviço Autorizado MINN KOTA. Não deixe de incluir o número do MODELO e o número de SÉRIE do seu motor ao pedir peças. Sempre use os números corretos das peças da lista de peças.

1	2400160	PLAIN END HOUSING ASSEMBLY	54	2260506	HINGE-PIN (HEADLESS) ZINC	107	2264023	SWITCH -SEALED ASSEMBLY
2	303043	THRUST DISC	55	2293811	YOKE, MAXXUM MOUNT	108	2262114	SCREW-MOUNTING/SWITCH (2 REQ'D)
3	144021	BEARING -SPHERICAL	56	2992016	TUBE W/BEARING RACE ASSEMBLY 52"	109	2233100	NUT-SWITCH MOUNT (2 REQ'D)
4	991040	FELT WASHER		2992014	TUBE W/BEARING RACE ASSEMBLY 62"	110	2260160	KNOB-SPEED CONTROL
5	784025	BEARING RETAINER	*57	2272067	TUBE OUTER -24" 4 HOLES 52" (ORDER 56)	111	2263000	E-RING TRU-ARC#5133-43
6	116025	BALL -STEEL		2272068	TUBE OUTER -34" 4 HOLES 62" (ORDER 55)	112	2264550	FOOT PEDAL BASE
7	2100110	ARMATURE ASSEMBLY	58	2266260	BEARING RACE-(565T)	*113	2266413	TENSION SCREW PLATE FT
8	788040	RETAINING RING	59	2266220	BEARING RACE -STEEL	114	2260511	PIN-PIVOT A/T FT PDL
9	990051	WASHER-THRUST, STEEL	60	2991988A	BG ASSEMBLY -FT CTRL, XL, MAX101	115	2260515	PIN-PULLEY-AXLE
10	990052	WASHER- NYLATRON	*61	2991992	BRACKET BASE TOP/INSERT ASSEMBLY	116	2262300	PULLEY (FOOT PEDAL)
11	2600016	BRUSH PLATE ASSEMBLY	*62	2991991	BRACKET BOTTOM/BEARING ASSEMBLY	117	2260000	BEARING -PULLEY
12	975041	SPRING -TORSION (2 REQ'D)	*63	2232351	EYELET -ROPE	118	2261705	WASHER -NYLATRON A/T
13R	409071	BRUSH W/RED LEADWIRE	64	2263402	SCREW 1/4-20 X 3/4"	119	2268400	COVER -PULLEY (STAMPING)
13B	409072	BRUSH W/BLK LEADWIRE	65	2263420	BOLT, 1/4-20 X 2" (2 REQ'D)	120	2301310	SCREW -8-18 X 1/2" SS (2 REQ'D)
14	830028	SCREW 10-32 X .164"	66	2261525	SPRING -SLEEVE UPPER	121	2264012	CONTROL BOARD ASSEMBLY
15	973025	SPACER -BRUSH PLATE (2 REQ'D)	67	2261535	SPRING SLEEVE, LOWER	122	2261218	WIRE HARNESS (MAX 101)
16	830027	SCREW -SELF TREADED 10-32 X 2" (2 REQ'D)	68	2262706	SPRING, BOWGUARD, NIK	123	2260325	WIRE, BLK W/GRN STRIPE 11 1/4"
17	431110	CENTER HOUSING FIELD ASSEMBLY	69	2011365	SCREW -TENSION/NEW KNOB	124	2260326	WIRE, RED W/YEL STRIPE 16 1/2"
18	701043	O-RING ( 2 REQ'D)	70	2994833	BAG ASSEMBLY -STRAP	125	2267500	CABLE ASSEMBLY-RIGHT (5')
19	144017	BEARING -FLANGE (SERVICE ONLY)	*71	2663802	STRAP -VELCRO	126	2267510	CABLE ASSEMBLY-LEFT (5')
20	2300160	BRUSH END HOUSING ASSEMBLY	72	2994830	BAG ASSEMBLY-MAXXUM	127	2265430	CABLE JACKET (5')
21	880025	SEAL (2 REQ'D)	*73	2263431	SCREW 1/4-20 X 3.5" PPH (6 REQ'D)	128	2265110	BOOT -CONTROL BOX
22	701009	O-RING -THRU BOLT (2 REQ'D)	*74	2261713	WASHER-1/4" FLAT S/S (6 REQ'D)	129	2265115	BOOT -FOOT PEDAL BASE
23	830096	THRU BOLT 12-24 X 11.56" SS (2 REQ'D)	*75	2263102	NUT 1/4-20 S/S (6 REQ'D)	130	2372100	SCREW-8-18 X 5/8", THDT (2 REQ'D)
24	2317051	MOTOR ASSEMBLY	*76	2301720	WASHER -MOUNTING*RUBBER (8 REQ'D)	131	2261714	WASHER -MAXXUM FT PDL (2 REQ'D)
25	2032087	TUBE (COMP) W/CSK HOLE 52"	78	2266610	DECAL -ON/OFF SWITCH	132	2261900	BRACKET-CONDUIT
	2032066	TUBE (COMP) W/CSK HOLE 62"	79	2266000	BEARING, BALL -STEEL (2 REQ'D)	133	2263210	BRACKET -CONDUIT ADJUST
26	2331130	PROPELLER (W.WEDGE)	80	2266115	BEARING CONE	134	2262720	SPRING -CONDUIT ADJUST
27	2091701	WASHER-PROP (LARGE) MAX101	81	2261615	COLLAR HALF -ZINC -2 PER	135	2263460	SCREW -1/4-20 X 2"
28	2093101	NUT-PROP (LARGE) MAX101	82	2263450	SCREW -10-24 X 7/8" (2 REQ'D)	136	2340610	CONNECTOR CABLE- 12"
29	2006601	DECAL -LOWER UNIT	83	2260283	CONTROL BOX COVER-MAXX	137	2340612	CONNECTOR CABLE-48"
32	2991997	MOUNT, BOW ASY, FW LG 52"	84	2372100	SCREW -8-18 X 5/8" THDT (4 REQ'D)	138	2261227	LEADWIRE (A/T VARIABLE)
	2991998	MOUNT, BOW ASY, FW LG 62"	85	2265539	DECAL COVER, MAXXUM 101	139	2020700	TERMINAL RING, 3/8" (2 REQ'D)
33	2264216	ARM -UPPER FW 52" LONG	86	2260150	POINTER DISC TRANSLCNT	140	2256300	TIE WRAP -5.5" BLACK
34	2260513	HINGE PIN (MAX,A/T)	87	2265800	DECAL -INDICATOR	141	2263201	CLAMP WIRE HARNESS MICRO
35	2263010	E-RING 3/8" DIA. SHAFT (2 REQ'D)	88	2262531	CONTROL BOX-PLASTIC	142	2332103	SCREW-6-20 X 3/8" THD
36	2293501	BUSHING, STAINLESS STEEL (4 REQ'D)	89	2262109	SCREW -8-32 X 1/2" THD CUT (3 REQ'D)	143	2260312	WIRE, BLK W/WHT STRIPE 19 1/4"
37	2263500	BOLT, SHOULDER (4 REQ'D)	90	2267800	GEAR -INDICATOR (3 REQ'D)	144	2254031	SWITCH -MOM/OFF/COM
38	2994315	ARM -LOWER ASSEMBLY, LG, FW, EXTRUD	91	2262220	INDICATOR -DRIVE	145	2266412	SWITCH PLATE, FT PEDAL
39	2999271	MOTOR REST ASSEMBLY, LG, FW	92	2261805	BRACKET/INDICATOR	146	2332103	SCREW -6-20 X 3/8" THD (2 REQ'D)
40	2261505	SPACER, MOTOR REST (6 REQ'D)	93	2301310	SCREW -8-18 X 1/2" SS	147	2256301	TIE WRAP -5.5' WHITE (2 REQ'D)
41	2251972	BOWPLATE, LG FW W/INSERT ASSEMBLY	94	2264015	LIGHT/INDICATOR	148	2365109	INSULATING PAD (2.4 X 4.7")
42	2251601	ROPE (40"), MAXXUM	95	2263201	CLAMP WIRE HARNESS MICRO	149	2264511	BOTTOM PLATE, MAX 101
43	2150400	PULL -GRIP	96	2301310	SCREW -8-18 X 1/2" SS	150	9953104	SCREW -8 X 1/2" SS (5 REQ'D)
44	2151700	WASHER -EYE SHAFT (.562")	97	2355410	SHRINK TUBE-3/8 OD X 2" (2 REQ'D)	151	2263455	SCREW 12-14 X 1/2" THR FRM (4 REQ'D)
45	2261707	WASHER -3/8 X 1/2 X .016" (2 REQ'D)	98	2232360	PULLEY -CABLE DRUM	152	2265126	BUMPER PAD, FOOT PEDAL (4 REQ'D)
46	2236000	BEARING NYLINER (2 REQ'D)	99	2261730	WASHER -NYLON A/T	153	2332106	SCREW-8-32 X 1/2", TRI-LOBE (2 REQ'D)
47	2263434	SCREW, 8-18 X 1" PPH (2 REQ'D)	100	2267805	PINION DRIVE (ZINC PLATE)	154	2030710	CONNECTOR BUTT (2 REQ'D) (62" ONLY)
48	2152610	SPRING-PIN (LOCKBAR) (2 REQ'D)	101	2266246	TOP BEARING RACE )	155	2030317	WIRE EXTENSION 18" RED (62" ONLY)
49	2233600	LOCK BAR -(BOW MOUNT)	102	2263410	SCREW -8-32 X 5/16" (ZINC PLATE) (2 REQ'D)	156	2030316	WIRE EXTENSION 18" BLACK (62" ONLY)
50	2233602	LOCK BAR, REAR - ZINC	103	2992028	FOOT PEDAL ASSEMBLY MAX	157	2375400	SHRINK TUBE 1/4 X 1-3/4" (2 REQ'D) (62" ONLY)
51	2152700	SPRING -(LOCKBAR)	104	2790002	FOOT PEDAL/PLUG ASSEMBLY	158	2994832	BAG ASSEMBLY MAX101 62" (ITEMS 40 & 47)
*52	2262703	SPRING STOP	105	2263700	PUSH -BUTTON FOOT PEDAL			
53	2153605	EYE SHAFT -2 LOCKBAR LG SS	106	2302732	SPRING -LOWER PEDAL SS			

MAX 101 - 52" or 62"

\* This item is part of an assembly. This item cannot be sold separately due to machining and/or assembly that is required.



