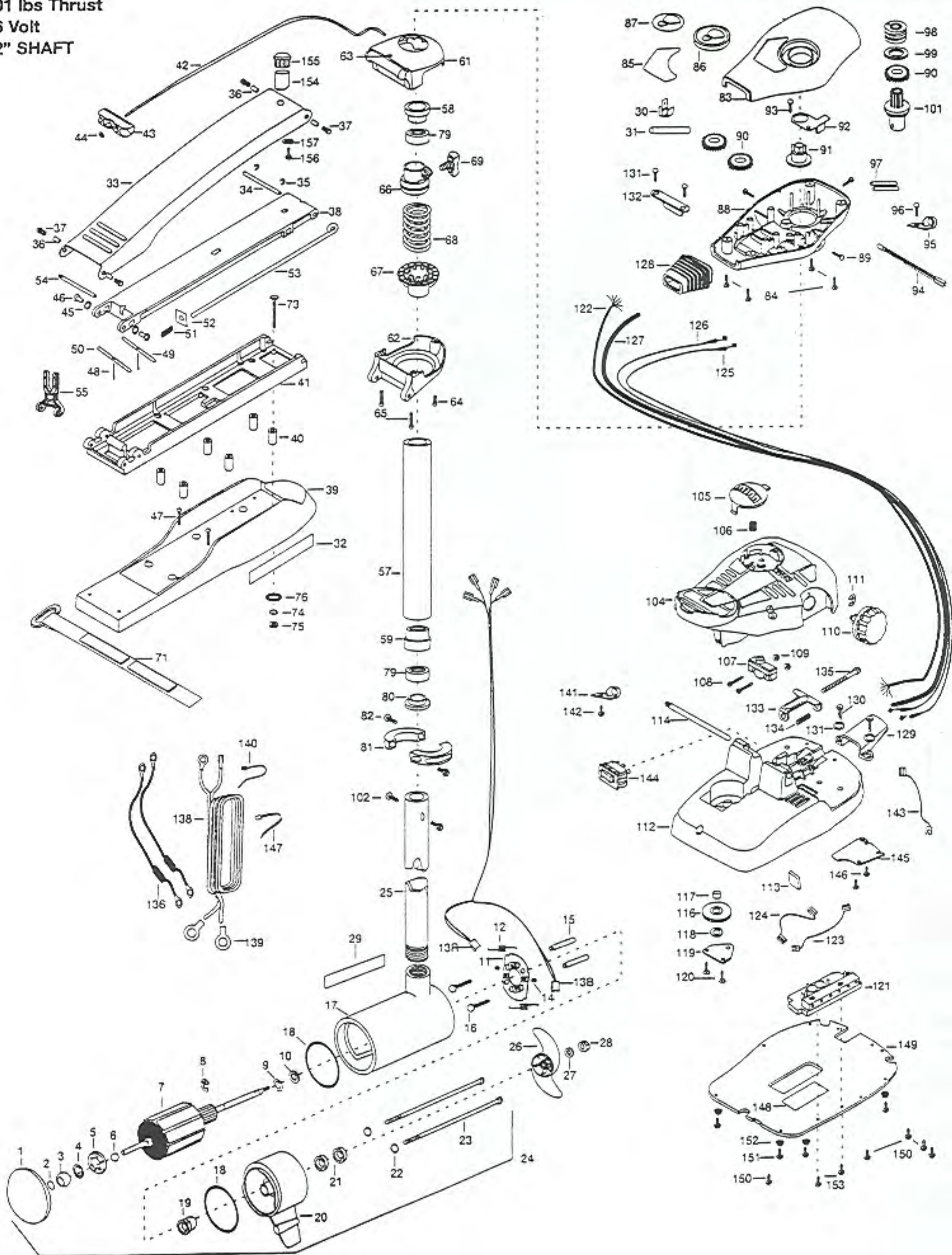


MAXXUM 101

101 lbs Thrust

36 Volt

42" SHAFT



In the U.S.A., replace JWA MARINE, 706 H ordered from any of the parts may be ordered directly from MINN KOTA Parts Dept., ne, Mankato, Minnesota 56001. In Canada, parts may be nadian Authorized Service Centers shown on the enclosed list. Be sure to provide the model and serial numbers of your motor when ordering parts. Please use the correct part numbers from the parts list. Payment for any parts ordered from the MINN KOTA parts department, may be by cash, personal check, Discover Card MasterCard or VISA. To order, call 1-800-227-6433 or FAX 1-800-527-4464.

Fuera de los Estados Unidos consultar la lista anexa para ubicar el Centro de Servicio autorizado MINN KOTA. No dejar el número del MODELO y el número de SÉRIE del motor para el cual se solicitan las piezas. Usar siempre los números de pieza correctos indicados en la lista de piezas.

Hors de États-Unis, voir la liste ci-jointe pour le Centre de Service Agréé MINN KOTA le plus proche. Lors d'une commande, ne pas oublier de fournir le numéro de modèle et le numéro de série du moteur. Toujours mentionner le numéro de pièce exact figurant sur la liste des pièces de rechange.

Fora da América do Norte consulte a lista anexa para identificar o Centro de Serviço Autorizado MINN KOTA. Não deixe de incluir o número do MODELO e o número de SÉRIE do seu motor ao pedir peças. Sempre use os números corretos das peças da lista de peças.

| | | | | | | | | |
|-----|-----------|--|-----|---------|--|------|---------|--------------------------------------|
| 1 | 2-400-160 | PLAIN END HOUSING ASSEMBLY | 51 | 2152700 | SPRING - LOCKBAR | 107 | 2264023 | SWITCH - SEALED ASSEMBLY |
| 2 | 303-043 | THRUST DISC | *52 | 2262703 | SPRING STOP | 108 | 2262114 | SCREW - MOUNTING/SWITCH [2.EA] |
| 3 | 144-021 | BEARING - SPHERICAL | 53 | 2153602 | EYE SHAFT - 2 LOCKBAR STD PLTD | 109 | 2233100 | NUT - SWITCH MOUNT [2.EA] |
| 4 | 991-040 | FELT WASHER | 54 | 2260506 | HINGE - PIN HEADLESS ZINC | 110 | 2260160 | KNOB - SPEED CONTROL |
| 5 | 784-025 | BEARING RE-RAINER | 55 | 2293811 | YOKE, MAXXUM MOUNT POLYPROPYLENE | 111 | 2263000 | E-RING TRU-ARC #5133-43 |
| 6 | 116-025 | BALL - STEEL | 56 | 2772012 | TUBE W/BEARING RACE ASSEMBLY | 112 | 2774550 | FOOT PEDAL BASE/PIN ASSEMBLY |
| 7 | 2-100-110 | ARMATURE ASSEMBLY | *57 | 2272069 | TUBE OUTER - 21" 4 HOLES (ORDER 56) | *113 | 2266413 | TENSION SCREW PLATE FT |
| 8 | 788-040 | RETAINING RING | 58 | 2266260 | BEARING RACE - 565T | 114 | 2260511 | PIN - PIVOT A/T FT PDL |
| 9 | 990-051 | WASHER - THRUST, STEEL | 59 | 2266220 | BEARING RACE - STEEL | 116 | 2262300 | PULLEY FOOT PEDAL |
| 10 | 990-052 | WASHER - NYLATRON | ■ | 2991988 | BG ASSEMBLY - FT CTRL, STD, MAX | 117 | 2260000 | BEARING - PULLEY |
| 11 | 2-600-016 | BRUSH PLATE ASSEMBLY | *61 | 2771992 | BRACKET BASE TOP/INSERT | 118 | 2261705 | WASHER - NYLATRON A/T |
| 12 | 975-041 | SPRING - TORSION [2.EA] | *62 | 2771993 | BRACKET BOTTOM/BEARING ASSEMBLY | 119 | 2266400 | COVER - PULLEY STAMPING |
| 13R | 409-071 | BRUSH W/RED LEADWIRE | *63 | 2232351 | EYELET - ROPE | 120 | 2301310 | SCREW - 8 - 18 X 1/2" SS [2.EA] |
| 13B | 409-072 | BRUSH W/BLK LEADWIRE | 64 | 2263402 | SCREW 1/4 - 20 X 3/4" | 121 | 2264012 | CONTROL BOARD ASSEMBLY |
| 14 | 830-028 | SCREW 10 - 32 X .164" | 65 | 2263404 | BOLT, 1/4 - 20 X 2" [2.EA] | 122 | 2261218 | WIRE HARNESS MAX 101 |
| 15 | 973-025 | SPACER - BRUSH PLATE [2.EA] | 66 | 2261525 | SPRING - SLEEVE, UPPER | 123 | 2260325 | WIRE, BLK W/GRN STRIPE 11 1/4" |
| 16 | 830-027 | SCREW - SELF TREADED 10 - 32 X 2" [2.EA] | 67 | 2261535 | SPRING - SLEEVE, LOWER | 124 | 2260326 | WIRE, RED W/YEL STRIPE 16 1/2" |
| 17 | 431-110 | CENTER HOUSING FIELD ASSEMBLY | 68 | 2262706 | SPRING, BOWGUARD, NIK | 125 | 2267500 | CABLE ASSEMBLY - RIGHT 5' |
| 18 | 701-043 | O-RING (2 REQ'D) | 69 | 2011365 | SCREW - COLLAR/NEW KNOB | 126 | 2267510 | CABLE ASSEMBLY - LEFT 5' |
| 19 | 144-017 | BEARING - FLANGE (SERVICE ONLY) | 71 | 2263802 | STRAP - HOLD DWN 30.5" VELCRO | 127 | 2265430 | CABLE JACKET 5' |
| 20 | 2-300-160 | BRUSH END HOUSING ASSEMBLY | ■ | 2994830 | BAG ASSEMBLY - MAXXUM | 128 | 2265110 | BOOT - CONTROL BOX |
| 21 | 880-025 | SEAL [2.EA] | *73 | 2263431 | SCREW 1/4 - 20 X 3.5" PPH [6.EA] | 129 | 2265115 | BOOT - FOOT PEDAL BASE |
| 22 | 701-009 | O-RING - THRU BOLT [2.EA] | *74 | 2261713 | WASHER - 1/4" FLAT S/S [6.EA] | 130 | 2372100 | SCREW - 8 - 18 X 5/8", THDT [2.EA] |
| 23 | 830-096 | THRU BOLT 12 - 24 X 11.56" SS [2.EA] | *75 | 2263103 | NUT - NYLOCK JAM 1/4 - 20 S/S [6.EA] | 131 | 2261714 | WASHER - MAXXUM FT PDL [2.EA] |
| 24 | 2317050 | MOTOR ASSEMBLY 36V VARS TXT | *76 | 2301720 | WASHER - MOUNTING* RUBBER [6.EA] | 132 | 2261900 | BRACKET - CONDUIT |
| 25 | 2032061 | TUBE (COMP) W/CSK HOLE - 43 3/4" | 78 | 2266610 | DECAL - ON/OFF SWITCH | 133 | 2263210 | BRACKET - CONDUIT ADJUST |
| 26 | 2331130 | PROPELLER (W.WEDGE) | 79 | 2266000 | BEARING, BALL - STEEL [2.EA] | 134 | 2262720 | SPRING - CONDUIT ADJUST |
| 27 | 2091701 | WASHER - PROP (LARGE) MAX 101 | 80 | 2266115 | BEARING CONE | 135 | 2263460 | SCREW - 1/4 - 20 X 2" |
| 28 | 2093101 | NUT - PROP (LARGE) MAX 101 | 81 | 2261615 | COLLAR HALF - ZINC - 2 PER | 136 | 2998200 | CIRCUIT BREAKER ASSEMBLY 36V [2.EA] |
| 29 | 2006602 | DECAL - LOWER UNIT | 82 | 2263450 | SCREW - 10 - 24 X 7/8" [2.EA] | 138 | 2261227 | LEADWIRE A/T VARIABLE |
| 30 | 2020713 | TERMINAL - ADAPTOR MAX50/S | 83 | 2260283 | CONTROL BOX COVER - MAXX | 139 | 2020700 | TERMINAL RING, 3/8" [2.EA] |
| 31 | 2375400 | SHRINK TUBE 1/4OD X 1-3/4 | 84 | 2372100 | SCREW - 8 - 18 X 5/8" THDT [4.EA] | 140 | 2256300 | TIE WRAP - 5.5" BLACK |
| ■ | 2991995 | MOUNT, BOW ASSEMBLY, FW STD | 85 | 2265539 | DECAL COVER, MAXXUM 101 | 141 | 2263201 | CLAMP WIRE HARNESS MICRO |
| 32 | 2265515 | DECAL - MOTOR REST | 86 | 2260150 | POINTER DISC TRNSLCNT | 142 | 2332103 | SCREW - 6 - 20 X 3/8" THD |
| 33 | 2264206 | ARM - UPPER FW | 87 | 2265800 | DECAL - INDICATOR | 143 | 2260312 | WIRE, BLK W/WHIT STRIPE 19 1/4" |
| 34 | 2260513 | HINGE PIN MAX, A/T | 88 | 2262531 | CONTROL BOX - PLASTIC | 144 | 2254031 | SWITCH - MOM/OFF/COM |
| 35 | 2263010 | E-RING 3/8" DIA. SHAFT [2.EA] | 89 | 2262109 | SCREW - 8 - 32 X 1/2" THD CUT [3.EA] | 145 | 2266412 | SWITCH PLATE, FT PEDAL |
| 36 | 2293501 | BUSHING, STAINLESS STEEL [4.EA] | 90 | 2267800 | GEAR - INDICATOR [3.EA] | 146 | 2332103 | SCREW - 6 - 20 X 3/8" THD [2.EA] |
| 37 | 2263500 | BOLT, SHOULDER [4.EA] | 91 | 2262220 | INDICATOR - DRIVE | 147 | 2256301 | TIE WRAP - 5.5" WHITE [2.EA] |
| 38 | 2774315 | ARM - LOWER ASSEMBLY, STD, FW | 92 | 2261905 | BRACKET/INDICATOR | 148 | 2365109 | INSULATING PAD 2.4 X 4.7" |
| 39 | 2263912 | MOTOR REST STD, FW | 93 | 2301310 | SCREW - 8 - 18 X 1/2" SS | 149 | 2264511 | BOTTOM PLATE, MAX 101 |
| 40 | 2261505 | SPACER, MOTOR REST [6.EA] | 94 | 2264015 | LIGHT/INDICATOR | 150 | 9953104 | SCREW - 8 X 1/2" SS [5.EA] |
| 41 | 2771979 | BOWPLATE, STD FW MACHINED | 95 | 2263201 | CLAMP WIRE HARNESS MICRO | 151 | 2263455 | SCREW #12 - 14 X 1/2" THR FRM [4.EA] |
| 42 | 2251601 | ROPE 40' MAXXUM | 96 | 2301310 | SCREW - 8 - 18 X 1/2" SS | 152 | 2265126 | BUMPER PAD, FOOT PEDAL [4.EA] |
| 43 | 2150400 | PULL - GRIP | 97 | 2355410 | SHRINK TUBE - 3/8 OD X 2" [2.EA] | 153 | 2332106 | SCREW - 8 - 32 X 1/2 TRI-LOBE [2.EA] |
| 44 | 2151700 | WASHER - EYE SHAFT .562" | 98 | 2232360 | PULLEY - CABLE DRUM | ■ | 2994833 | BAG ASSEMBLY - MAXXUM STABILIZER |
| 45 | 2261707 | WASHER - 3/8 X 1/2 X .016" [2.EA] | 99 | 2261730 | WASHER - NYLON A/T | *154 | 2268400 | SHAFT - SUPPORT |
| 46 | 2236000 | BEARING NYLINER [2.EA] | 101 | 2776204 | TOP BEARING RACE/PINION DRIVE ASSEMBLY | *155 | 2268401 | BUMPER - SHAFT |
| 47 | 2263434 | SCREW, 8 - 18 X 1" PPH [2.EA] | 102 | 2263410 | SCREW - 8 - 32 X 5/16" ZINC PLATE [2.EA] | *156 | 2500001 | SCREW 1/4 - 14 X 1" HHD SS |
| 48 | 2152610 | SPRING - PIN (LOCKBAR) [2.EA] | 104 | 2790002 | FOOT PEDAL/PLUG ASSEMBLY | *157 | 2261713 | WASHER 1/4 FLAT SS |
| 49 | 2233600 | LOCK BAR - (BOW MOUNT) | 105 | 2263700 | PUSH BUTTON FOOT PEDAL | | | |
| 50 | 2233602 | LOCK BAR, REAR - ZINC | 106 | 2302732 | SPRING - LOWER PEDAL SS | | | |

* This item is part of an assembly. This item cannot be sold separately due to machining and/or assembly that is required.

PARTS LIST

MAX 101 - 42"

