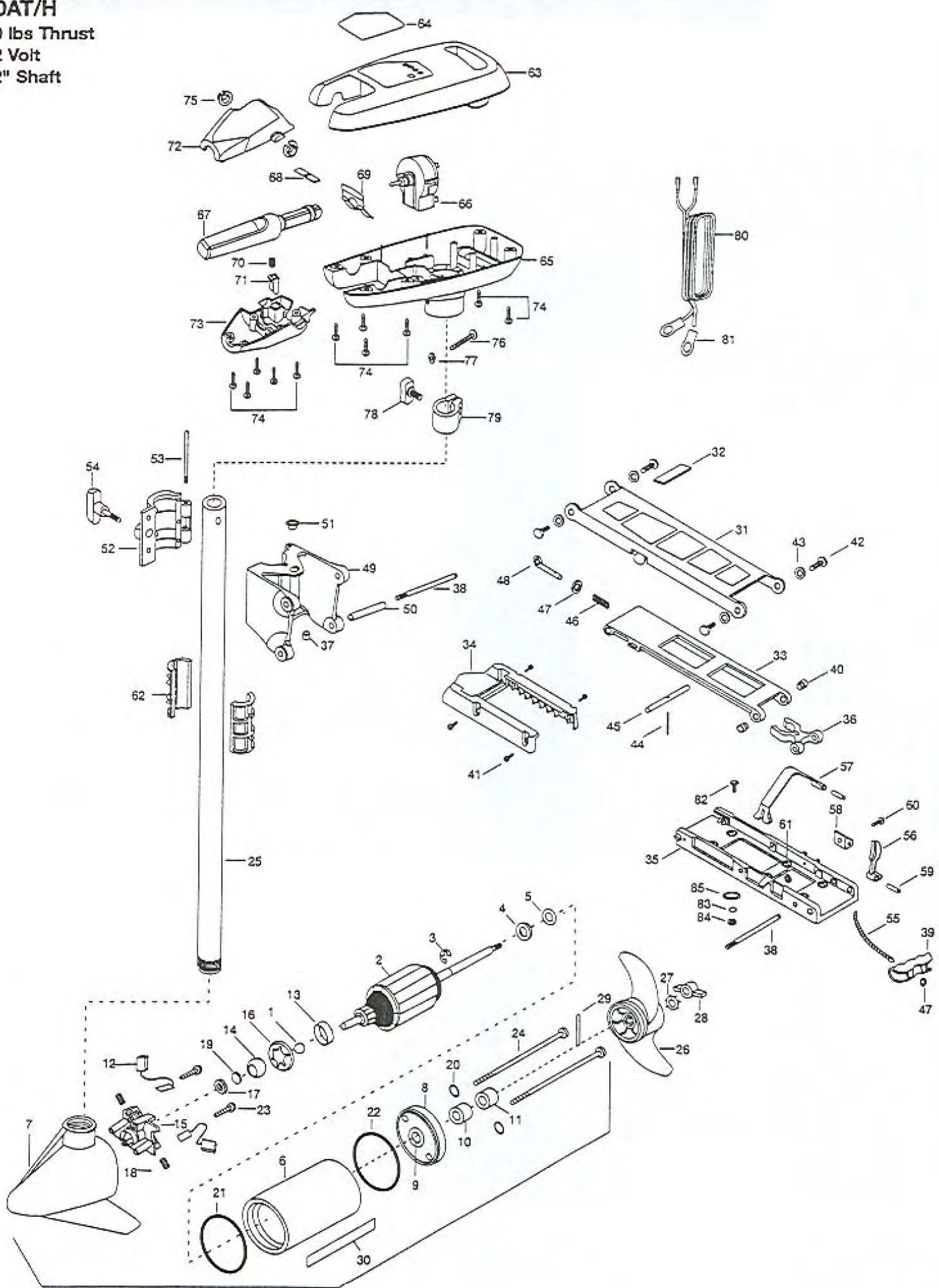


40AT/H  
40 lbs Thrust  
12 Volt  
42" Shaft



1	116-020	BALL - STEEL	33	2254342	ARM-LWR FW	68	2302742	SPRING-DETENT OFF
2	2-100-001	ARM ASSEMBLY 12V 3.25 40*	34	2263900	MOTOR REST-	69	2302743	SPRING-DETENT HANDLE-TILT
3	788-015	RETAINING RING	35	2251942	BOW PLATE-D C	70	2302745	SPRING-RELEASE BUTTON
4	990-067	WASHER - STEEL THRUST	36	2293801	TUBE LOCK-'D'	71	2303720	RELEASE BUTTON-HANDLE
5	990-070	WASHER - NYLATRON	37	2264705	INSERT-HINGE BASE (STD MT)	72	2060408	HANDLE - TOP HALF
6	431-079	HOUSING ASSEMBLY CENTER 3.25 TXT	38	2260506	HINGE-PIN (HEADLESS) ZINC [2.EA ]	73	2060415	HANDLE - LOWER HALF
7	2-300-132	HOUSING ASSEMBLY BRUSH END 3.25	39	2150400	PULL-GRIP	74	2303412	SCREW-6-20 X 5/8 SELF TAP [11.EA ]
8	2-400-124	PLAIN END HOUSING ASSEMBLY	40	2236000	BEARING NYLINER- [2.EA ]	75	2060005	BEARING-HANDLE PIVOT [2.EA ]
9	144-049	BEARING - FLANGE [SERVICE ONLY]	41	2303431	SCREW 1/4-20X5/8'PPH [4.EA ]	76	2033400	SCREW-10-24 X 1-3/4
10	880-003	SEAL	42	2293511	BOLT-UPPER ARM W/LOCTITE [4.EA ]	77	2013110	NUT-10-24 HEX (ZCP)
11	880-006	SEAL WITH SHIELD	43	2293500	BUSHING-SHOULDER UPR ARM [4.EA ]	78	2011365	SCREW-COLLAR/NEW KNOB
12	188-052	BRUSH ASSEMBLY [2.EA ]	44	2152610	SPRING-PIN LOCKBAR	79	2031520	COLLAR-DEPTH W/O INSERT
13	725-033	BRUSH RETENTION	45	2233600	LOCK BAR- BOW MOUN)	80	2090600	LEADWIRE -10 GA RINGS
14	144-050	BEARING - SPHERICAL	46	2152700	SPRING- LOCKBAR CAD.PLTH	81	2020700	TERMINAL RING, 3/8' [2.EA ]
15	738-030	BRUSH PLATE W/HOLDER 3.25	47	2151700	WASHER-EYE SHAFT .562 OD [2.EA ]	■	2994803	BAG ASSEMBLY - [INCL. 82, 83, 84, 85]
16	784-036	BEARING RETAINER	48	2153600	EYE SHAFT-CAD.PLATE	*82	2153501	BOLT-MOUNTING W/STGD [4.EA ]
17	991-025	WASHER - FELT	49	2261811	HINGE BASE-F/W	*83	2151726	WASHER-5/16 [4.EA ]
18	975-032	SPRING - COMPRESSION	50	2231570	SLEEVE ROLLER- HINGE BRACKET	*84	2153100	NUT-5/16-18NC MOUNTING [4.EA ]
19	303-039	THRUST DISC - METAL	51	2232350	EYELET-ROPE	*85	2301720	WASHER-MOUNTING'RUBBER [6.EA ]
20	701-007	O-RING [2. EA]	52	2261821	HINGE DOOR-PAINTED F/W			
21	701-041	O-RING	53	2262640	PIN-HINGE DOOR			
22	701-039	O-RING MK406460	54	2260180	KNOB-HINGE COVER A/T			
23	830-001	SCREW - SELF-THREAD 8-32 X 1.7 [2.EA ]	55	2251600	ROPE- 31'			
24	830-078	THRU BOLT 8-32 X 8.96 [2. EA]	56	2267200	LATCH LEVER			
■	2068050	MOTOR ASSEMBLY 12V3.25 5SPC TXT	57	2263800	STRAP-HOLD DOWN			
25	2032053	TUBE-COMPOSITE 42"	58	2261910	BRACKET HOLD DOWN STRAP			
26	2061125	PROP (65 WEEDLESS WEDGE)	59	2260500	PIN-ROLL LATCH LEVER [2.EA ]			
27	2051700	LOCKWASHER-PROP (MEDIUM)	60	2263440	SCREW-10-24 X 3/4			
28	2053100	NUT-PROP (MEDIUM)	61	2333101	NUT-HEX 3HP-SS NYLOC			
29	2092600	PIN-DRIVE (95-4HP'S) (SS)	62	2151531	HINGE-SLEEVE HALF-AT [2.EA ]			
30	2006603	DECAL-LOWER UNIT, WHITE	63	2260210	COVER-CONTROL BOX			
■	2771970	STD-BOWMT FW H/CTRL ASSEMBLY	64	2185606	DECAL-COVER 40AT/H			
31	2264221	ARM-UPPER, STD, FW	65	2062551	CONTROL BOX PLAS W/HAND			
32	2265120	BUMPER UPPER ARM	66	2064023	SWITCH-FWD/REV 5SP			
■	2774310	ARM-LOWER ASSEMBLY FW	67	2990912	HANDLE ASSEMBLY-W/U-JOINT 5SP			
		INCL. 33, 44, 45, 46, 47, 48, 39, 55						

\* This item is part of an assembly. This item cannot be sold separately due to machining and /or assembly that is required.



