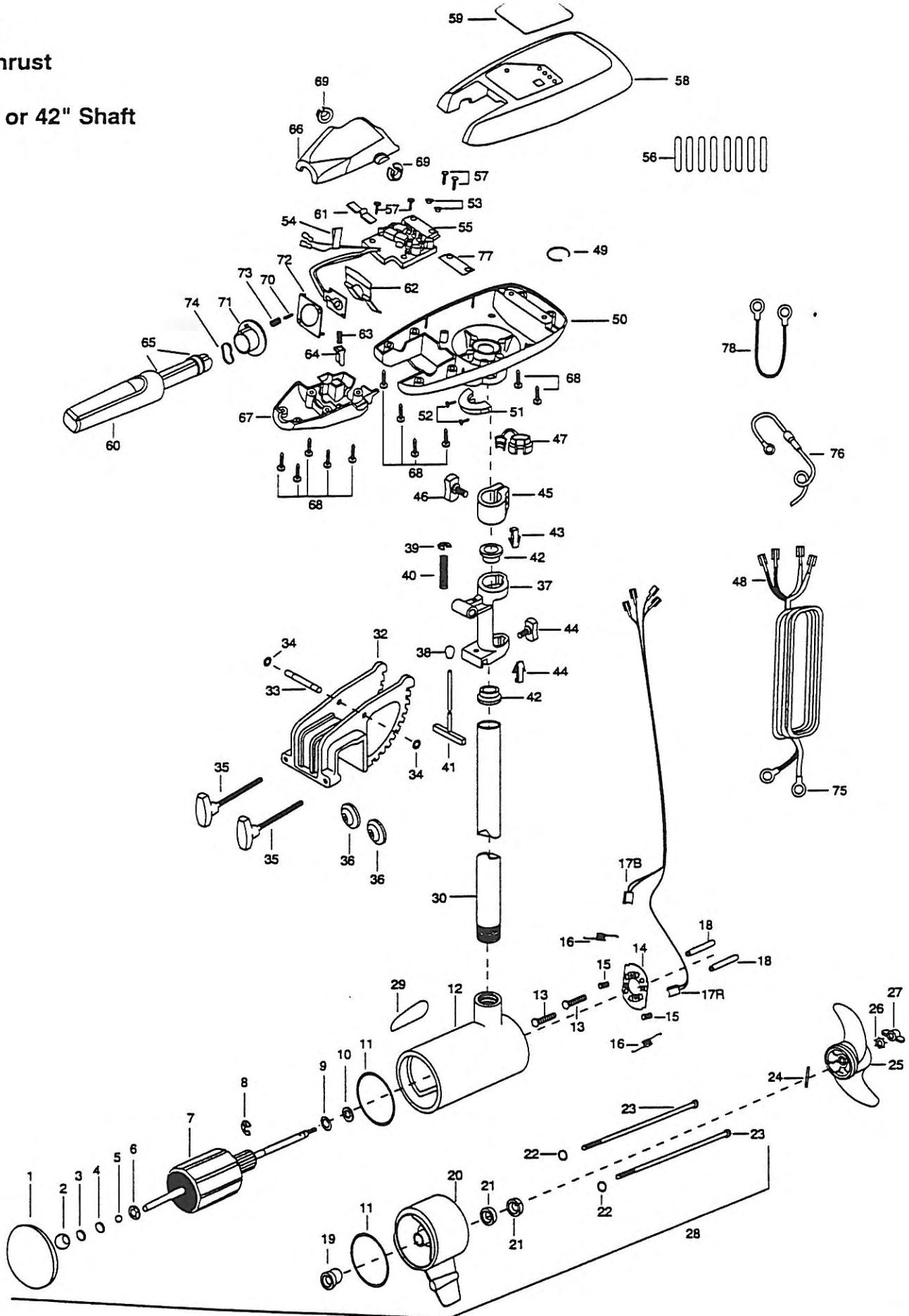


RT70/S
70 lbs Thrust
24 Volt
36" shaft or 42" Shaft



In the U.S.A., replace parts may be ordered directly from MINN KOTA Parts Dept., JWA MARINE, 707 Mankato, Minnesota 56001. In Canada, parts may be ordered from any Canadian Authorized Service Centers shown on the enclosed list. Be sure to provide the model and SERIAL numbers of your motor when ordering parts. Please use the correct part numbers from the parts list. Payment for any parts ordered from the MINN KOTA parts department, may be by cash, personal check, Discover Card MasterCard or VISA. To order, call 1-800-227-6433 or FAX 1-800-527-4464.

Fuera de los Estados Unidos, consultar la lista anexa para ubicar el Centro de servicio autorizado MINN KOTA. No dejar de incluir el número del MODELO y el número de SERIE del motor para el cual se solicitan las piezas. Usar siempre los números de pieza correctos indicados en la lista de piezas.

Hors de États-Unis, voir la liste ci-jointe pour le Centre de Service Agréé MINN KOTA le plus proche. Lors d'une commande, ne pas oublier de fournir le numéro de modèle et le numéro de série du moteur. Toujours mentionner le numéro de pièce exact figurant sur la liste des pièces de rechange.

Fora da América do Sul, consultar a lista anexa para localizar o Centro de Serviço Autorizado MINN KOTA. Não deixe de incluir o número do MODELO e o número de SÉRIE do seu motor ao pedir peças. Sempre use os números corretos das peças da lista de peças.

1	409-025	FRONT ENDBELL	29	206-6649	DECAL- RIPTIDE (2 REQ'D)	57	237-2100	SCREW 8-18X5/8 (2 REQ'D)
2	409-600	SPHERICAL BEARING	30	203-2057	TUBE (36")	58	230-0227	CONTROL BOX COVER
3	406-050	THRUST DISC		203-2053	TUBE (42")	59	209-5616	DECAL- COVER (RT70/S)
4	406-060	THRUST DISC	31	299-1961	BRACKET & HINGE ASSEMBLY (32-44)	60	299-0915	HANDLE ASSEMBLY- W/O U-JOINT
5	405-010	BALL- STEEL	*32	277-1963 ²⁷¹⁹	BRACKET ASSEMBLY (32,35,36)	61	230-2742	SPRING- DETENT (OFF)
6	409-301	BEARING RETAINER	33	233-0500	PIN-HINGE	62	230-2743	SPRING DETENT-HANDLE TILT
7	410-203	ARMATURE ASSEMBLY	34	233-3100	NUT-SPEED (2 REQ'D)	63	230-2745	SPRING- RELEASE BUTTON
8	409-300	E-RING	35	201-1376	SCREW-CLAMP (2 REQ'D)	64	230-3720	RELEASE BUTTON- HANDLE
9	409-170	THRUST WASHER- STEEL (AS REQ'D)	36	233-1700	WASHER-CLAMP SCREW (2 REQ'D)	65	206-0000	BEARING- HANDLE (2 REQ'D)
10	409-171	THRUST WASHER- NYLON (AS REQ'D)	37	203-1855	HINGE	66	206-0411	HANDLE- TOP HALF
11	409-460	O-RING (2 REQ'D)	38	201-0100	KNOB-TILT	67	206-0415	HANDLE- LOWER HALF
12	409-258	CENTER SECTION W/ MAGNETS	39	233-3001	E-RING	68	230-3412	SCREW 6-20X 5/8" (11 REQ'D)
13	405-341	BRUSH PLATE SCREW (2 REQ'D)	40	233-2700	SPRING-T-BAR	69	206-0005	BEARING- HANDLE PIVOT (2 REQ'D)
14	409-402	BRUSH PLATE ASSEMBLY	41	203-3601	T-BAR	70	230-2600	PIN- ACTUATOR
15	409-343	BRUSH SET SCREW (2 REQ'D)	42	203-7300	BUSHING-HINGE (2 REQ'D)	71	230-2850	ACTUATOR- CAM
16	406-083	BRUSH SPRING (2 REQ'D)	43	206-2800	TENSION BLOCK (2 REQ'D)	72	230-2851	ACTUATOR- FORWARD/REVERSE
17B	409-072	BRUSH ASSEMBLY- BLACK	44	201-1386	SCREW-TENSION W/KNOB	73	230-2740	SPRING- ACTUATOR
17R	409-071	BRUSH ASSEMBLY- RED	45	206-1520	COLLAR-DEPTH	74	230-2741	SPRING- CAM
18	405-151	BRUSH PLATE SPACER (2 REQ'D)	46	201-1366	SCREW-COLLAR W/ KNOB	75	209-0700	RING TERMINALS (2 REQ'D)
19	409-000	FLANGE BEARING	47	233-2900	STRAIN RELIEF	76	206-0310	FUSED GROUND WIRE
20	409-034	BRUSH END HOUSING	48	233-0600	LEADWIRE- W/ RING TERMINALS	77	236-5105	INSULATING PAD
21	409-461	SEAL (2 REQ'D)	49	230-3001	RING- PIG	78	234-0610	CONNECTOR CABLE 24V
22	409-462	O-RING- THRU BOLT (2 REQ'D)	50	206-2588	CONTROL BOX	79	2332102	SCREW 10-24X1-3/4" SS
23	409-352	THRU BOLT (2 REQ'D)	51	206-1513	COLLAR- CONTROL BOX	80	2333101	NUT -HEX 3HP SS
24	209-2600	PIN- DRIVE	52	230-1310	SCREW 8-18X1/2 (2 REQ'D)			
25	233-1120	PROPELLER	53	230-1710	WASHER- INSULATED (2 REQ'D)			
26	209-1700	LOCKWASHER	54	230-5810	TAG- AIR SWITCH LEADS			
27	209-3100	NUT- PROP	55	234-4007	CONTROL BOARD ASSEMBLY			
28	231-7040	MOTOR ASSEMBLY	56	230-5400	SHRINK TUBE 3/8 OD (8 REQ'D)			

PARTS LIST

RT70/S

* This item is part of an assembly. This item cannot be sold separately due to machining and /or assembly that is required.

RT70/S

