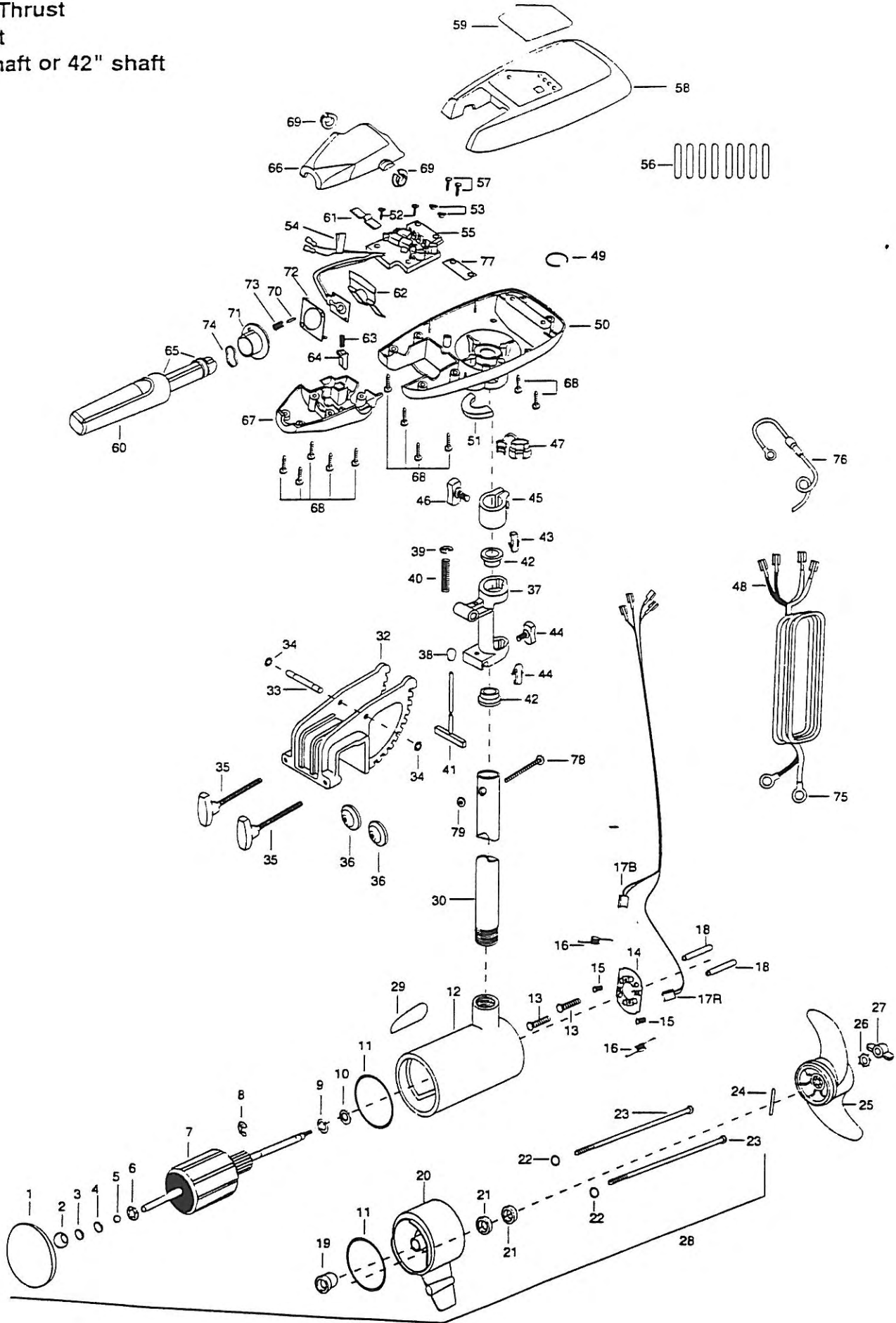


RT55/S
55lbs Thrust
12 volt
36" Shaft or 42" shaft



...ane, Mankato, Minnesota 56001. In Canada, parts may be ordered from any of the following Canadian Authorized Service Centers shown on the enclosed list. Be sure to provide the part and SERIAL numbers of your motor when ordering parts. Please use the correct part numbers from the parts list. Payment for any parts ordered from the MINN KOTA parts department, may be by cash, personal check, Discover Card MasterCard or VISA. To order, call 1-800-227-6433 or FAX 1-800-527-4464.

...consulnar la lista anexa para ubicar el Centro de servicio autorizado MINN KOTA. No dejar de incluir el número del MODELO y el número de SERIE del motor para el cual se solicitan las piezas. Usar siempre los números de pieza correctos indicados en la lista de piezas.

...le Centre de Service Agréé MINN KOTA le plus proche. Lors d'une commande, ne pas oublier de fournir le numéro de modèle et le numéro de série du moteur. Toujours mentionner le numéro de pièce exact figurant sur la liste des pièces de rechange.

...Fora da América do Norte, queira consultar a lista anexa para identificar o Centro de Serviço Autorizado MINN KOTA mais próximo. Não deixe de incluir o número do MODELO e o número de SÉRIE do seu motor ao pedir as peças. Sempre use os números corretos das peças da lista de peças.

| | | | | | | | | |
|-----|----------|---------------------------------|-------------------|---------------------|----------------------------------|----|----------|---------------------------------|
| 1 | 409-025 | FRONT ENDBELL | 29 | 206-6649 | DECAL -RIPTIDE (2 REQ'D) | 57 | 237-2100 | SCREW 8-18X5/8 (4 REQ'D) |
| 2 | 409-600 | SPHERICAL BEARING | 30 | 203-2057 | TUBE (36") | 58 | 230-0227 | CONTROL BOX COVER |
| 3 | 406-050 | THRUST DISC | | 203-2053 | TUBE (42") | 59 | 209-5615 | DECAL -COVER (RT55/S) |
| 4 | 406-060 | THRUST DISC | 31 | 299-1961 | BRACKET & HINGE ASSEMBLY (32-44) | 60 | 299-0915 | HANDLE ASSEMBLY- W/O U-JOINT |
| 5 | 405-010 | BALL- STEEL | <i>2031903</i> 32 | 277-1903 | BRACKET ASSEMBLY (32, 35, 36) | 61 | 230-2742 | SPRING -DETENT (OFF) |
| 6 | 409-301 | BEARING RETAINER | 33 | 233-0500 | PIN -HINGE | 62 | 230-2743 | SPRING DETENT -HANDLE TILT |
| 7 | 410-202 | ARMATURE ASSEMBLY | 34 | 233-3100 | NUT -SPEED (2 REQ'D) | 63 | 230-2745 | SPRING -RELEASE BUTTON |
| 8 | 409-300 | E-RING | 35 | 201-1376 | SCREW -CLAMP (2 REQ'D) | 64 | 230-3720 | RELEASE BUTTON -HANDLE |
| 9 | 409-170 | THRUST WASHER- STEEL (AS REQ'D) | 36 | 233-1700 | WASHER -CLAMP SCREW (2 REQ'D) | 65 | 206-0000 | BEARING -HANDLE (2 REQ'D) |
| 10 | 409-171 | THRUST WASHER- NYLON (AS REQ'D) | 37 | 203-1855 | HINGE IN HOUSE SS | 66 | 206-0411 | HANDLE -TOP HALF |
| 11 | 409-460 | O-RING (2 REQ'D) | 38 | 201-0100 | KNOB -TILT | 67 | 206-0415 | HANDLE -LOWER HALF |
| 12 | 409-258 | CENTER SECTION W/ MAGNETS | 39 | 233-3001 | E-RING | 68 | 230-3412 | SCREW 6-20X 5/8" (11 REQ'D) |
| 13 | 405-341 | BRUSH PLATE SCREW (2 REQ'D) | 40 | 233-2700 | SPRING -T-BAR | 69 | 206-0005 | BEARING -HANDLE PIVOT (2 REQ'D) |
| 14 | 409-402 | BRUSH PLATE ASSEMBLY | 41 | 203-3601 | T-BAR | 70 | 230-2600 | PIN -ACTUATOR |
| 15 | 409-343 | BRUSH SET SCREW (2 REQ'D) | 42 | 203-7300 | BUSHING -HINGE (2 REQ'D) | 71 | 230-2850 | ACTUATOR -CAM |
| 16 | 406-083 | BRUSH SPRING (2 REQ'D) | 43 | 206-2800 | TENSION BLOCK (2 REQ'D) | 72 | 230-2851 | ACTUATOR -FORWARD/REVERSE |
| 17B | 409-072 | BRUSH ASSEMBLY- BLACK | 44 | 201-1386 | SCREW -TENSION W/KNOB | 73 | 230-2740 | SPRING -ACTUATOR |
| 17R | 409-071 | BRUSH ASSEMBLY- RED | 45 | 206-1520 | COLLAR -DEPTH ENDURA | 74 | 230-2741 | SPRING -CAM |
| 18 | 405-151 | BRUSH PLATE SPACER (2 REQ'D) | 46 | 201-1366 | SCREW -COLLAR W/ KNOB SS | 75 | 209-0700 | RING TERMINALS (2 REQ'D) |
| 19 | 409-000 | FLANGE BEARING | 47 | 233-2900 | STRAIN RELIEF -C.CORD | 76 | 206-0310 | FUSED GROUND WIRE |
| 20 | 409-034 | BRUSH END HOUSING | 48 | 233-0600 | LEADWIRE -W/ RING TERMINALS | 77 | 236-5105 | INSULATING PAD |
| 21 | 409-461 | SEAL (2 REQ'D) | 49 | 230-3001 | RING -PIG | 78 | 233-2102 | SCREW 10-24X1-3/4" SS |
| 22 | 409-462 | O-RING- THRU BOLT (2 REQ'D) | 50 | 206-2584 | CONTROL BOX SW CAST | 79 | 233-3101 | NUT -HEX 3HP SS |
| 23 | 409-352 | THRU BOLT (2 REQ'D) | 51 | 206-1511 | COLLAR -CONTROL BOX | | | |
| 24 | 209-2600 | PIN -DRIVE | 52 | 230-1310 | SCREW 8-18X1/2 (2 REQ'D) | | | |
| 25 | 233-1120 | PROPELLER | 53 | 230-1710 | WASHER -INSULATED (2 REQ'D) | | | |
| 26 | 209-1700 | LOCKWASHER | 54 | 230-5810 | TAG -AIR SWITCH LEADS | | | |
| 27 | 209-3100 | NUT -PROP | 55 | 233-4007 | CONTROL BOARD ASSEMBLY | | | |
| 28 | 233-7080 | MOTOR ASSEMBLY | 56 | 230-5400 | SHRINK TUBE 3/8 OD (8 REQ'D) | | | |

* This item is part of an assembly. This item cannot be sold separately due to machining and /or assembly that is required.

PARTS LIST

RT55/S

RT55/S

BLACK LEADS B-

CONTROL BOARD

POT BOARD

