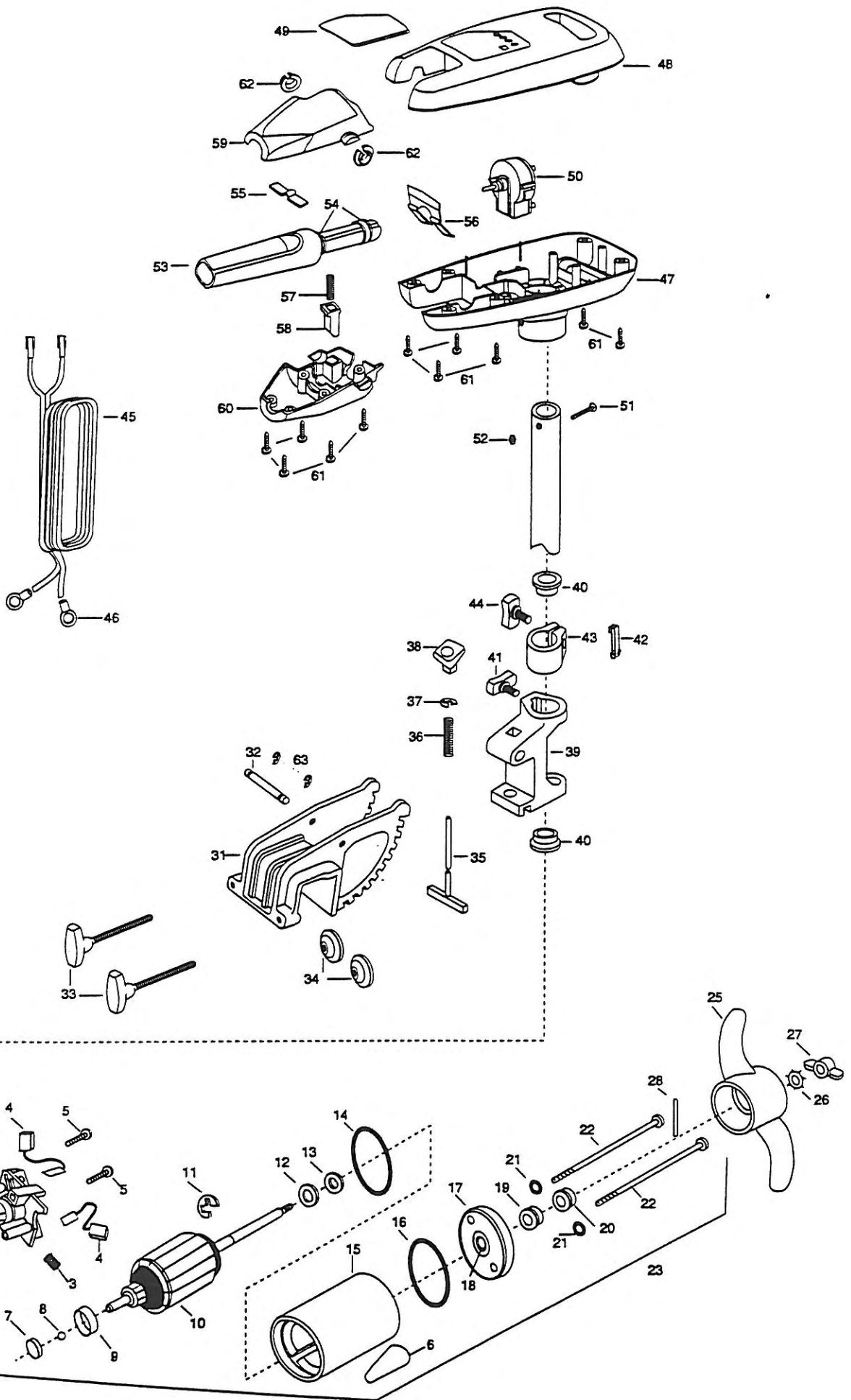


RT36/S
36 LBS. THRUST
12 VOLT
36" SHAFT



ordered from any other source, including the Internet. In Canada, parts may be ordered from any Canadian Authorized Service Centers shown on the enclosed list. Be sure to provide MODEL and SERIAL numbers of your motor when ordering parts. Please use the correct part numbers from the parts list. Payment for any parts ordered from the MINN KOTA parts department, may be by cash, personal check, Discover Card MasterCard or VISA. To order, call 1-800-227-6433 or FAX 1-800-527-4464.

lista anexa para ubicar el Centro de servicio autorizado MINN KOTA. No dejar de incluir el número del MODELO y el número de SERIE del motor para el cual se solicitan las piezas. Usar siempre los números de pieza correctos indicados en la lista de piezas.

le Centre de Service Agréé MINN KOTA le plus proche. Lors d'une commande, ne pas oublier de fournir le numéro de modèle et le numéro de série du moteur. Toujours mentionner le numéro de pièce exact figurant sur la liste des pièces de rechange.

para a lista anexa para identificar o Centro de Serviço Autorizado MINN KOTA. Não deixe de incluir o número do MODELO e o número de SÉRIE do motor ao pedir peças. Sempre use os números corretos das peças da lista de peças.

1	405025	BRUSH END HOUSING W/ COIL	28	2092600	PIN-DRIVE SS	53	2990911	HANDLE ASSEMBLY-W/U-JOINT
2	406405	BRUSH PLATE ASSEMBLY	29	2991804	BRACKET & HINGE ASSEMBLY (INCLUDES 31-42)	54	2060000	HANDLE BEARING (2 REQ'D)
3	406081	BRUSH SPRING (2 REQ'D)	30	2771910	BRACKET ASSEMBLY (INCLUDES 31,33,34)	55	2302742	SPRING-DETENT (OFF) SS
4	406072	BRUSH ASSEMBLY (2 REQ'D)	31	2031910	BRACKET (ORDER 30)	56	2302743	SPRING-DETENT HANDLE-TILT
5	406341	BRUSH PLATE SCREW (2 REQ'D)	32	2030503	PIN- PIVOT	57	2302745	SPRING-RELEASE BUTTON SS
6	2006649	DECAL- MOTOR RIPTIDE	33	2011376	SCREW-CLAMP (2 REQ'D)	58	2303720	RELEASE BUTTON-HANDLE
7	403050	THRUST DISK	34	2331700	WASHER-CLAMP SCREW (2 REQ'D)	59	2060410	HANDLE (TOP HALF)
8	403010	BALL- STEEL	35	2033602	T-BAR	60	2060415	HANDLE (LOWER HALF)
9	406090	BRUSH HOLDER	36	2332700	SPRING-T-BAR	61	2303412	SCREW-6-20 X 5/8 SELF TAP (11 REQ'D)
10	405205	ARMATURE ASSEMBLY	37	2333001	E-RING	62	2060005	BEARING-HANDLE PIVOT (2 REQ'D)
11	405300	E-RING	38	2010111	KNOB-TILT	63	2263011	E-RING 3/8 DIA (2 REQ'D)
12	408170	THRUST WASHER- STEEL (AS REQ'D)	39	2031831	HINGE			
13	405171	THRUST WASHER- NYLON (AS REQ'D)	40	2037300	BUSHING-HINGE (2 REQ'D)			
14	403460	O-RING	41	2011386	SCREW-TENSION W/NEW KNOB			
15	405260	CENTER SECTION W/MAGNETS	42	2062800	TENSION BLOCK-"SNAP IN"			
16	406460	O-RING	43	2061520	COLLAR-DEPTH (W/O INSERT)			
17	403032	PLAIN ENDBELL	44	2011366	SCREW-COLLAR W/NEW KNOB			
18	406600	FLANGE BEARING (SERVICE ONLY)	45	2050602	LEADWIRE ASSEMBLY			
19	406461	SEAL	46	2020700	RING TERMINALS (2 REQ'D)			
20	406471	SEAL- CUP	47	2062551	CONTROL BOX			
21	401462	O-RING — THRU BOLT (2 REQ'D)	48	2060263	COVER-CONTROL BOX			
22	405352	THRU BOLT (2 REQ'D)	49	2065682	DECAL-COVER RT36/S			
23	2069046	MOTOR ASSEMBLY	50	2064023	SWITCH-FWD/REV COMBO-5 SP			
24	2032052	TUBE (COMPOSITE) 36"	51	2332102	SCREW-10-24 X 1-3/4 SS			
25	2061125	PROP (WEEDLESS WEDGE)	52	2333101	NUT-HEX			
26	2051700	LOCKWASHER-PROP						
27	2053100	NUT-PROP						

* This item is part of an assembly. This item cannot be sold separately due to machining and /or assembly that is required.

RT36/S

PARTS LIST

**RT27/S
&
RT36/S**

