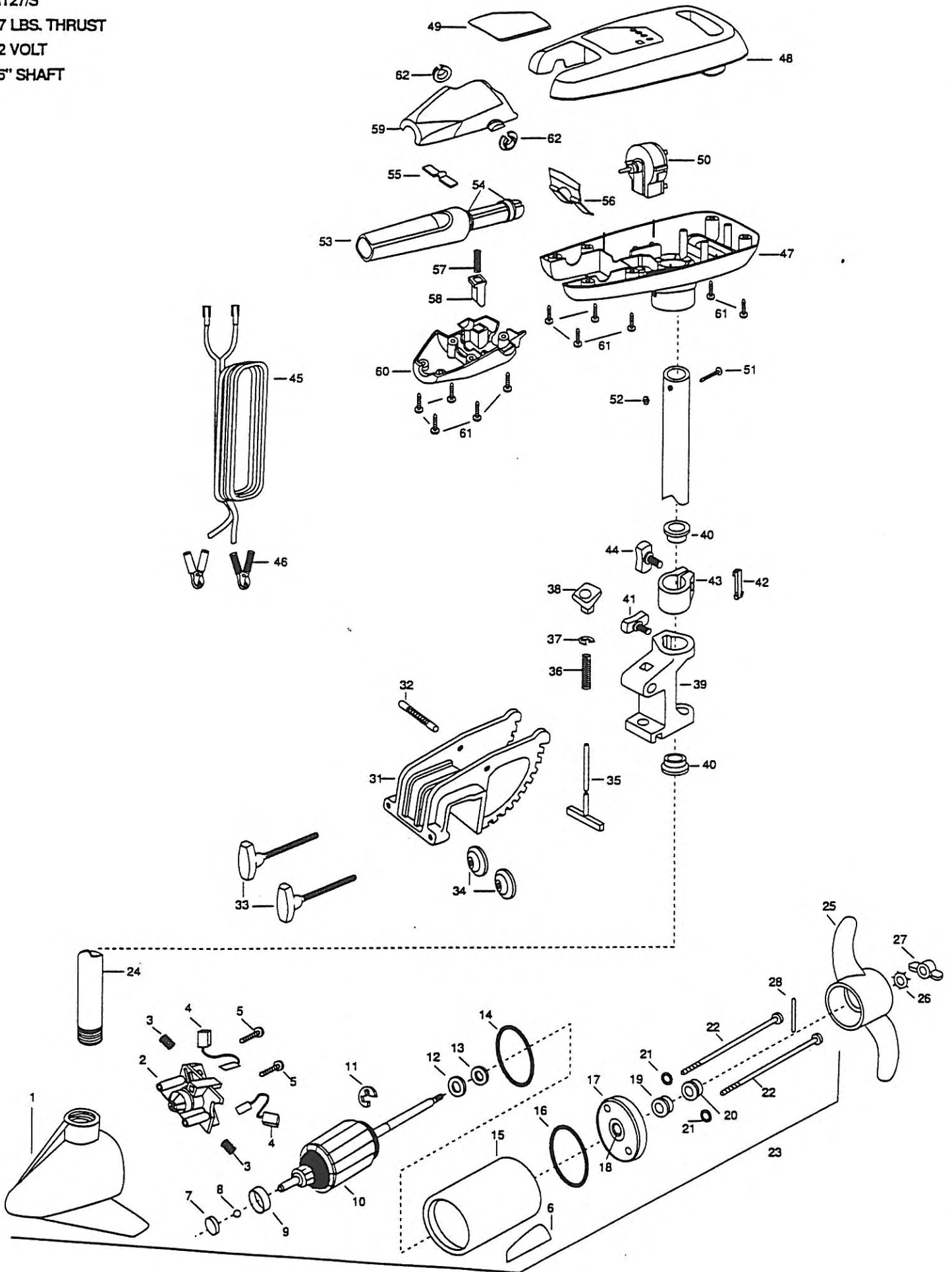


RT27/S  
27 LBS. THRUST  
12 VOLT  
36" SHAFT



1531 E. Madison Ave. Wankato, Minnesota 56001. In Canada, parts may be ordered from any of the Canadian Authorized Centers shown on the enclosed list. Be sure to provide the MODEL and SERIAL numbers of your motor when ordering parts. Please use the correct part numbers from the parts list. Payment for any parts ordered from the MINN KOTA parts department, may be by cash, personal check, Discover Card, MasterCard or VISA. To order, call 1-800-227-6433 or FAX 1-800-527-4464.

Hors de États-Unis, veuillez vous reporter à la liste ci-jointe pour le Centre de Service Agréé MINN KOTA le plus proche. Ne pas oublier de fournir les numéros de Modèle et de Série of votre Moteur lorsque vous placez une commande. Employez toujours le numéro de pièce existant se trouvant sur la list des pièces de remplacement.

Fora da América do Norte, queira consultar a lista anexa para identificar o Centro de Serviço Autorizado MINN KOTA mais próximo de você. Não esquecer de incluir o número do MODELO e o número de Série do seu motor ao pedir peças. Sempre use os números corretos das peças da lista de peças.

PARTS LIST

1	<del>405025</del> 405025	BRUSH END HOUSING W/ COIL	28	2092600	PIN-DRIVE SS	53	2990911	HANDLE ASSEMBLY-W/U-JOINT
2	406405	BRUSH PLATE ASSEMBLY	29	2991804	BRACKET & HINGE ASSEMBLY ( INCLUDES 31-42 )	54	2060000	HANDLE BEARING (2 REQ'D)
3	406081	BRUSH SPRING (2 REQ'D)	30	2771910	BRACKET ASSEMBLY ( INCLUDES 31,33,34 )	55	2302742	SPRING-DETENT (OFF) SS
4	406072	BRUSH ASSEMBLY (2 REQ'D)	*31	2031910	BRACKET (ORDER 30)	56	2302743	SPRING-DETENT HANDLE-TILT
5	406341	BRUSH PLATE SCREW (2 REQ'D)	32	2030503	PIN- PIVOT	57	2302745	SPRING-RELEASE BUTTON SS
6	2066649	DECAL MOTOR "RIPTIDE" (2 REQ'D)	33	2011376	SCREW-CLAMP (2 REQ'D)	58	2303720	RELEASE BUTTON-HANDLE
7	403050	THRUST DISK	34	2331710	WASHER-CLAMP SCREW (2 REQ'D)	59	2060410	HANDLE (TOP HALF)
8	403010	BALL- STEEL	35	2033602	T-BAR	60	2060415	HANDLE (LOWER HALF)
9	406090	BRUSH HOLDER	36	2332700	SPRING-T-BAR	61	2303412	SCREW-6-20 X 5/8 SELF TAP (11 REQ'D)
10	<del>405207</del> 405205	ARMATURE ASSEMBLY	37	2333001	E-RING	62	2060005	BEARING-HANDLE PIVOT (2 REQ'D)
11	405300	E-RING	38	2010111	KNOB-TILT			
12	406170	THRUST WASHER- STEEL (AS REQ'D)	39	2031831	HINGE			
13	405171	THRUST WASHER- NYLON (AS REQ'D)	40	2037300	BUSHING-HINGE (2 REQ'D)			
14	403460	O-RING	41	2011386	SCREW-TENSION W/NEW KNOB			
15	405260	CENTER SECTION W/MAGNETS	42	2032800	TENSION BLOCK-"SNAP IN"			
16	406460	O-RING	43	2031520	COLLAR-DEPTH (W/O INSERT)			
17	403032	PLAIN ENDBELL	44	2011366	SCREW-COLLAR W/NEW KNOB			
18	406600	FLANGE BEARING (SERVICE ONLY)	45	2050602	LEADWIRE W/CLIPS SW			
19	406461	SEAL	46	2010701	BATTERY CLIPS (2 REQ'D)			
20	406471	SEAL- CUP	47	2062551	CONTROL BOX			
21	401462	O-RING —THRU BOLT (2 REQ'D)	48	2060263	COVER-CONTROL BOX			
22	<del>403354</del> 403352	THRU BOLT (2 REQ'D)	49	2035682	DECAL-COVER RT27/S			
23	<del>2069055</del> 2069046	MOTOR ASSEMBLY	50	2064023	SWITCH-FWD/REV COMBO-5 SP			
24	2032052	TUBE (COMPOSITE) 36"	51	2332102	SCREW-10-24 X 1-3/4 SS			
25	2061125	PROP ( WEEDLESS WEDGE)	52	2333101	NUT-HEX			
26	2051700	LOCKWASHER-PROP						
27	2053100	NUT-PROP						

RT27/S

\* This item is part of an assembly. This item cannot be sold separately due to machining and /or assembly that is required.

**RT27/S  
&  
RT36/S**

