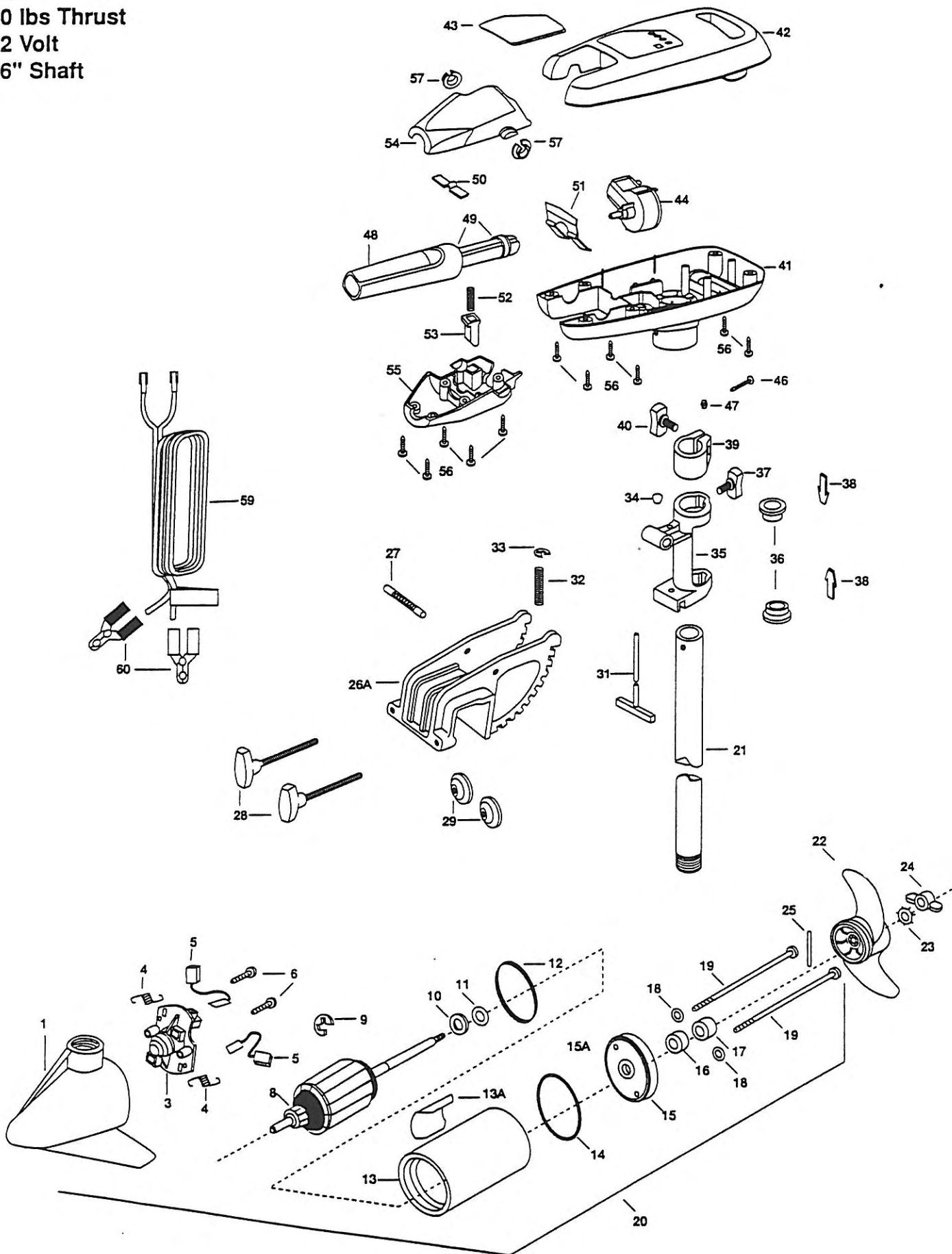


90T
40 lbs Thrust
12 Volt
36" Shaft



JWA MARINE, 700 1st Lane, Mankato, Minnesota 56001. In Canada, parts may be ordered from any Canadian Authorized Service Centers shown on the enclosed list. Be sure to provide MODEL and SERIAL numbers of your motor when ordering parts. Please use the correct part numbers from the parts list. Payment for any parts ordered from the MINN KOTA parts department, may be by cash, personal check, Discover Card MasterCard or VISA. To order, call 1-800-227-6433 or FAX 1-800-527-4464.

Fuera de los Estados Unidos, consultar la lista anexa para ubicar el Centro de servicio autorizado MINN KOTA. No dejar de incluir el número del MODELO y el número de SERIE del motor para el cual se solicitan las piezas. Usar siempre los números de pieza correctos indicados en la lista de piezas.

Hors de Etats-Unis, voir la liste ci-jointe pour le Centre de Service Agréé MINN KOTA le plus proche. Lors d'une commande, ne pas oublier de fournir le numéro de modèle et le numéro de série du moteur. Toujours mentionner le numéro de pièce exact figurant sur la liste des pièces de rechange.

Fora da América do Norte, queira consultar a lista anexa para localizar o Centro de Serviço Autorizado MINN KOTA. Não deixe de incluir o número do MODELO e o número de SÉRIE do seu motor ao pedir peças. Sempre use os números corretos das peças da lista de peças.

- | | | | | | |
|------|---------|--|----|---------|--|
| 1 | 409027 | FRONT ENDBELL | 31 | 2033600 | T-BAR |
| 3 | 406403 | BRUSH PLATE ASSEMBLY | 32 | 2012700 | SPRING-T-BAR |
| 4 | 406082 | BRUSH SPRING (2 REQ'D) | 33 | 2013000 | E-RING |
| 5 | 406071 | BRUSH ASSEMBLY (2 REQ'D) | 34 | 2010100 | KNOB-TILT |
| 6 | 406342 | BRUSH PLATE SCREW (2 REQ'D) | 35 | 2031852 | HINGE |
| 8 | 406208 | ARMATURE ASSEMBLY | 36 | 2037300 | BUSHING-HINGE (2 REQ'D) |
| 9 | 405300 | E-RING | 37 | 2011385 | SCREW-TENSION W/NEW KNOB |
| 10 | 406170 | THRUST WASHER- STEEL (AS REQ'D) | 38 | 2062800 | TENSION BLOCK-- "SNAP IN" (2 REQ'D) |
| 11 | 405171 | THRUST WASHER- NYLON (AS REQ'D) | 39 | 2061520 | COLLAR-DEPTH |
| 12 | 406490 | GASKET | 40 | 2011365 | SCREW-COLLAR W/NEW KNOB |
| 13 | 409259 | CENTER SECTION W/MAGNETS | 41 | 2062551 | CONTROL BOX |
| 13A | 2006616 | DECAL | 42 | 2060281 | CONTROL BOX COVER- (BLACK) |
| 14 | 406470 | O-RING | 43 | 2095677 | DECAL COVER-90T |
| 15 | 406033 | PLAIN END HOUSING | 44 | 2064023 | SWITCH-FWD/REV COMBO-5 SP |
| 15A | 406600 | FLANGE BEARING (SERVICE ONLY) | 46 | 2033400 | SCREW-10-24 X 1-3/4 |
| 16 | 406461 | SEAL | 47 | 2013110 | NUT-HEX (ZINC/CAD PLATE) |
| 17 | 406471 | SEAL- W/CUP | 48 | 2990912 | HANDLE ASSEMBLY W/U-JOINT 5SP |
| 18 | 405462 | O-RING —THRU BOLT (2 REQ'D) | 49 | 2060000 | HANDLE BEARING (2 REQ'D) |
| 19 | 406353 | THRU BOLT (2 REQ'D) | 50 | 2302742 | SPRING-DETENT (OFF) (SS) |
| 20 | 2099062 | MOTOR ASSEMBLY | 51 | 2302743 | SPRING-DETENT (HANDLE) |
| 21 | 2032052 | TUBE (COMPOSITE) 36" | 52 | 2302745 | SPRING-RELEASE BUTTON (SS) |
| 22 | 2091150 | PROP (WEEDLESS WEDGE) | 53 | 2303720 | RELEASE BUTTON-HANDLE |
| 23 | 2051700 | LOCKWASHER-PROP (MEDIUM) | 54 | 2060408 | HANDLE (TOP HALF) |
| 24 | 2053100 | NUT-PROP (MEDIUM) | 55 | 2060415 | HANDLE (LOWER HALF) |
| 25 | 2092600 | PIN-DRIVE (SS) | 56 | 2303412 | SCREW-6-20 X 5/8 SELF TAP (11 REQ'D) |
| 26 | 2991960 | BRACKET & HINGE ASSEMBLY (INCLUDES 26A, 27-38) | 57 | 2060005 | BEARING-HANDLE PIVOT (2 REQ'D) |
| *26A | 2031904 | BRACKET (ORDER 26B) | 59 | 2050600 | LEADWIRE (10 GA W/CLIPS) |
| 26B | 2771907 | BRACKET ASSEMBLY (INCLUDES 26A, 28-30) | 60 | 2010700 | BATTERY CLIPS (2 REQ'D) |
| 27 | 2010511 | PIN-HINGE | | | |
| 28 | 2011375 | SCREW-CLAMP (2 REQ'D) | | | |
| 29 | 2011710 | WASHER-CLAMP SCREW (2 REQ'D) | | | |

* This item is part of an assembly. This item cannot be sold separately due to machining and /or assembly that is required.

