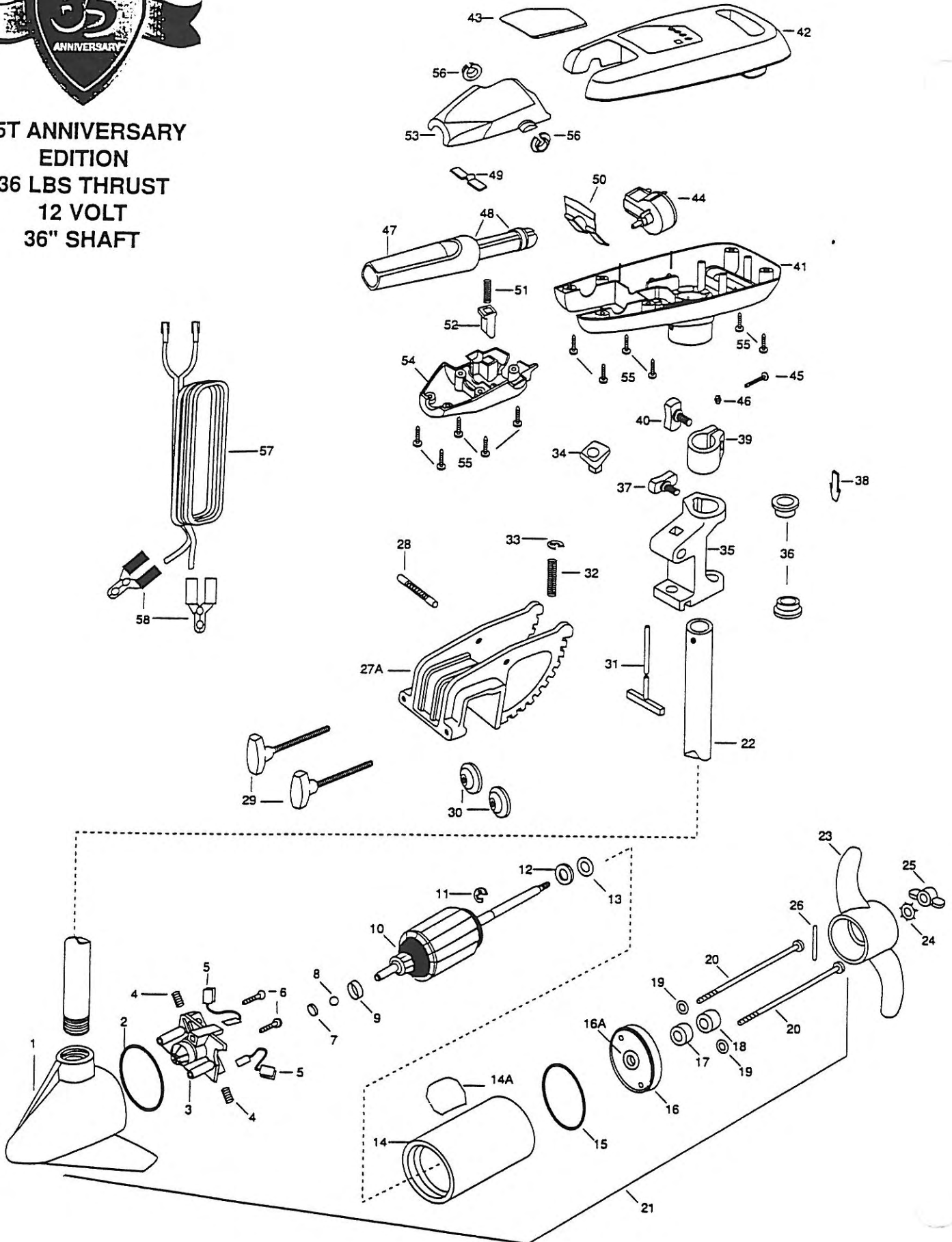




**65T ANNIVERSARY
EDITION
36 LBS THRUST
12 VOLT
36" SHAFT**



ordered from any of the Canadian Authorized Service Centers shown on the enclosed list. Be sure to provide MODEL and SERIAL numbers of your motor when ordering parts. Please use the correct part numbers from the parts list. Payment for any parts ordered from the MINN KOTA parts department, may be by cash, personal check, Discover Card MasterCard or VISA. To order, call 1-800-227-6433 or FAX 1-800-527-4464.

para obtener el número de servicio autorizado MJNN KOTA. No dejar de incluir el número del MODELO y el número de SERIE del motor para el cual se solicitan las piezas. Usar siempre los números de pieza correctos indicados en la lista de piezas.

le Centre de Service Agree MINN KOTA le plus proche. Lors d'une commande, ne pas oublier de fournir le numéro de modèle et le numéro de série du moteur. Toujours mentionner le numéro de pièce exact figurant sur la liste des pièces de rechange.

tar a lista anexa para identificar o Centro de Serviço Autorizado MJNN KOTA. Não deixe de incluir o número do MODELO e o número de SÉRIE do motor ao pedir peças. Sempre use os números corretos das peças da lista de peças.

- | | | | | | |
|------|---------|--|----|---------|--|
| 1 | 406027 | BRUSH END HOUSING W/SP COIL | 30 | 2011710 | WASHER-CLAMP SCREW (2 REQ'D) |
| 2 | 403460 | O-RING | 31 | 2033602 | T-BAR |
| 3 | 406405 | BRUSH PLATE W/BEARING | 32 | 2012700 | SPRING-T-BAR |
| 4 | 406081 | BRUSH SPRING (2 REQ'D) | 33 | 2013000 | E-RING |
| 5 | 406072 | BRUSH ASSEMBLY (2 REQ'D) | 34 | 2010111 | KNOB-TILT |
| 6 | 406341 | BRUSH PLATE SCREW (2 REQ'D) | 35 | 2031831 | HINGE |
| 7 | 403050 | THRUST DISC | 36 | 2037300 | BUSHING-HINGE (2 REQ'D) |
| 8 | 403010 | THRUST BALL- STEEL | 37 | 2011385 | SCREW-TENSION W/NEW KNOB |
| 9 | 406090 | BRUSH HOLDER | 38 | 2062800 | TENSION BLOCK-"SNAP IN" |
| 10 | 405205 | ARMATURE ASSEMBLY | 39 | 2061520 | COLLAR-DEPTH (ENDURA) |
| 11 | 405300 | E-RING | 40 | 2011365 | SCREW-COLLAR W/NEW KNOB |
| 12 | 406170 | THRUST WASHER- STEEL (AS REQ'D) | 41 | 2062551 | CONTROL BOX |
| 13 | 405171 | THRUST WASHER- NYLON (AS REQ'D) | 42 | 2060281 | CONTROL BOX COVER- (BLACK) |
| 14 | 405259 | CENTER HOUSING | 43 | 2065684 | DECAL COVER-65T |
| 14A | 2006617 | DECAL MOTOR -ANNIV | 44 | 2064023 | SWITCH-FWD/REV COMBO-5 SP |
| 15 | 406460 | O-RING | 45 | 2033400 | SCREW-10-24 X 1-3/4 |
| 16 | 406035 | PLAIN END HOUSING | 46 | 2013110 | NUT-HEX (ZINC/CAD PLATE) |
| 16A | 406600 | FLANGE BEARING (SERVICE ONLY) | 47 | 2990912 | HANDLE ASSEMBLY W/U-JOINT 5SP |
| 17 | 406461 | SEAL | 48 | 2060000 | HANDLE BEARING (2 REQ'D) |
| 18 | 406471 | SEAL W/CUP | 49 | 2302742 | SPRING-DETENT (OFF) (SS) |
| 19 | 401462 | O-RING —THRU BOLT(2 REQ'D) | 50 | 2302743 | SPRING-DETENT (HANDLE) |
| 20 | 405352 | THRU BOLT (2 REQ'D) | 51 | 2302745 | SPRING-RELEASE BUTTON (SS) |
| 21 | 2069041 | MOTOR ASSEMBLY | 52 | 2303720 | RELEASE BUTTON-HANDLE |
| 22 | 2032052 | TUBE (COMPOSITE) 36" | 53 | 2060408 | HANDLE (TOP HALF) |
| 23 | 2061125 | PROP (WEEDLESS WEDGE) | 54 | 2060415 | HANDLE (LOWER HALF) |
| 24 | 2051700 | LOCKWASHER-PROP (MEDIUM) | 55 | 2303412 | SCREW-6-20 X 5/8 SELF TAP (11 REQ'D) |
| 25 | 2053100 | NUT-PROP (MEDIUM) | 56 | 2060005 | BEARING-HANDLE PIVOT (2 REQ'D) |
| 26 | 2092600 | PIN-DRIVE (SS) | 57 | 2050600 | LEADWIRE (10 GA W/CLIPS) |
| 27 | 2991800 | BRACKET & HINGE ASSEMBLY (INCLUDES 27A, 28-39) | 58 | 2010700 | BATTERY CLIPS (2 REQ'D) |
| *27A | 2031910 | BRACKET (ORDER 27B) | 59 | 2065691 | DECAL- COVER 65 ANNIV (NOT SHOWN) |
| 27B | 2771907 | BRACKET ASSEMBLY(INCLUDES 27A, 29-30) | 60 | 406245 | REPLACEMENT SPEED COIL (NOT SHOWN) |
| 28 | 2010511 | PIN-HINGE | | | |
| 29 | 2011375 | SCREW-CLAMP (2 REQ'D) | | | |

* This item is part of an assembly. This item cannot be sold separately due to machining and /or assembly that is required.

P/N 2034934

rev. B 9-98

65T Anniversary

PARTS LIST

