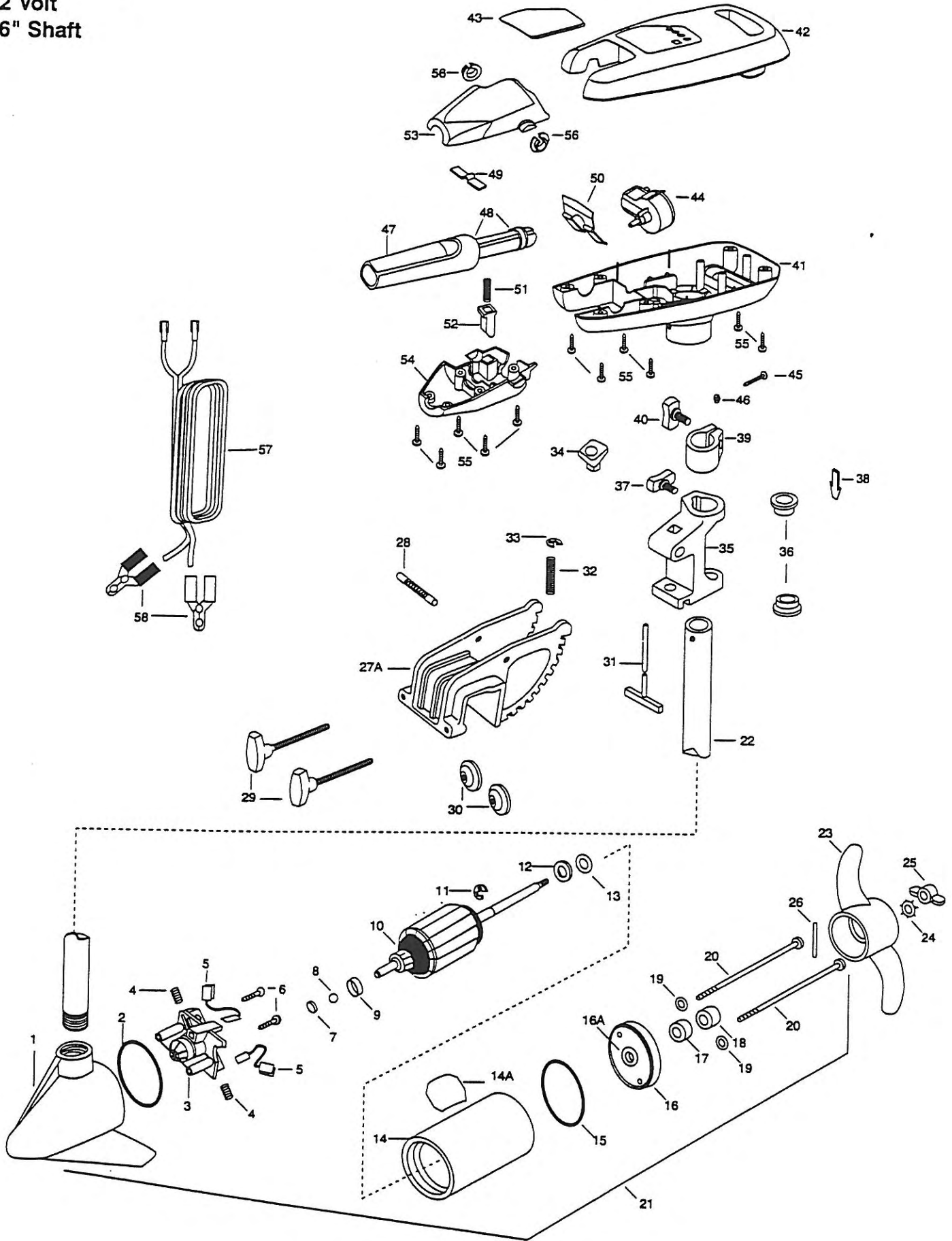


50T
32Lbs. Thrust
12 Volt
36" Shaft



ordered from any c
Be sure to provide
Please use the cor
from the MINN KOTA
MasterCard or VISA. To order, call 1-800-227-6433 or FAX 1-800-527-4464.

Canadian Authorized Service Centers shown on the enclosed list.
DEL and SERIAL numbers of your motor when ordering parts.
part numbers from the parts list. Payment for any parts ordered
parts department, may be by cash, personal check, Discover Card

lista anexa para ubicar el Centro de servicio
autorizado MJNN KOTA. No dejar de incluir
el número del MODELO y el número de
SERIE del motor para el cual se solicitan las
piezas. Usar siempre los números de pieza
correctos indicados en la lista de piezas.

le Centre de Service Agréé MINN KOTA le
plus proche. Lors d'une commande, ne pas
oublier de fournir le numéro de modèle et le
numéro de série du moteur. Toujours men-
tionner le numéro de pièce exact figurant sur
la liste des pièces de rechange.

far a lista anexa para
de Serviço Autorizado
deixe de incluir o númer
o número de SÉRIE
pedir peças. Sempre use os números cor-
retos das peças da lista de peças.

- | | | | | | |
|------|---------|--|--------|---------|--|
| 1 | 406027 | FRONT ENDBELL W/SP COIL | 30 | 2011710 | WASHER-CLAMP SCREW (2 REQ'D) |
| 2 | 403460 | O-RING | 31 | 2033602 | T-BAR |
| 3 | 406405 | BRUSH PLATE ASSEMBLY | 32 | 2012700 | SPRING-T-BAR |
| 4 | 406081 | BRUSH SPRING (2 REQ'D) | 33 | 2013000 | E-RING |
| 5 | 406072 | BRUSH ASSEMBLY (2 REQ'D) | 34 | 2010111 | KNOB-TILT |
| 6 | 406341 | BRUSH PLATE SCREW (2 REQ'D) | 35 | 2031831 | HINGE |
| 7 | 403050 | THRUST DISC | 36 | 2037300 | BUSHING-HINGE (2 REQ'D) |
| 8 | 403010 | BALL | 37 | 2011385 | SCREW-TENSION W/NEW KNOB |
| 9 | 406090 | BRUSH HOLDER | 38 | 2032800 | TENSION BLOCK-"SNAP IN" |
| 10 | 405205 | ARMATURE ASSEMBLY | 39 | 2031520 | COLLAR-DEPTH (W/O INSERT) |
| 11 | 405300 | E-RING | 40 | 2011365 | SCREW-COLLAR W/NEW KNOB |
| 12 | 406170 | THRUST WASHER- STEEL (AS REQ'D) | 41 | 2062551 | CONTROL BOX |
| 13 | 405171 | THRUST WASHER- NYLON (AS REQ'D) | 42 | 2060281 | CONTROL BOX COVER- (BLK) |
| 14 | 405259 | CENTER SECTION W/MAGNETS | 43 | 2065609 | NR DECAL COVER-50TA |
| 14A | 2006616 | NR DECAL MOTOR-LWR UN | 44 | 2064023 | SWITCH-FWD/REV COMBO-5 SP |
| 15 | 406460 | O-RING | 45 | 2033400 | SCREW-10-24 X 1-3/4 |
| 16 | 406035 | PLAIN END HOUSING | 46 | 2013110 | NUT-HEX (ZINC/CAD PLATE) |
| 16A | 406600 | FLANGE BEARING (SERVICE ONLY) | 47 | 2990912 | HANDLE ASSEMBLY W/U-JOINT 5SP |
| 17 | 406461 | SEAL | 48 | 2060000 | HANDLE BEARING (2 REQ'D) |
| 18 | 406471 | SEAL W/CUP | 49 | 2302742 | SPRING-DETENT (OFF) (SS) |
| 19 | 401462 | O-RING —THRU BOLT(2 REQ'D) | 50 | 2302743 | SPRING-DETENT (HANDLE) |
| 20 | 405352 | THRU BOLT (2 REQ'D) | 51 | 2302745 | SPRING-RELEASE BUTTON (SS) |
| 21 | 2069041 | MOTOR ASSEMBLY | 52 | 2303720 | RELEASE BUTTON-HANDLE |
| 22 | 2032052 | TUBE (COMPOSITE) 36" | 53 | 2060408 | HANDLE (TOP HALF) |
| 23 | 2061125 | PROP (WEEDLESS WEDGE) | 54 | 2060415 | HANDLE (LOWER HALF) |
| 24 | 2051700 | LOCKWASHER-PROP (MEDIUM) | 55 | 2303412 | SCREW-6-20 X 5/8 SELF TAP (11 REQ'D) |
| 25 | 2053100 | NUT-PROP (MEDIUM) | 56 | 2060005 | BEARING-HANDLE PIVOT (2 REQ'D) |
| 26 | 2092600 | PIN-DRIVE (SS) | 57 | 2050600 | LEADWIRE (10 GA W/CLIPS) |
| 27 | 2991800 | BRACKET & HINGE ASSEMBLY (INCLUDES 27A, 28-39) | 58 | 2010700 | BATTERY CLIPS (2 REQ'D) |
| *27A | 2031910 | BRACKET (ORDER 27B) | 406245 | | REPLACEMENT SPEED COIL (NOT SHOWN) |
| 27B | 2771907 | BRACKET ASSEMBLY(INCLUDES 27A, 29-30) | | | |
| 28 | 2010511 | PIN-HINGE | | | |
| 29 | 2011375 | SCREW-CLAMP (2 REQ'D) | | | |

* This item is part of an assembly. This item cannot be sold separately due to machining and /or assembly that is required.

