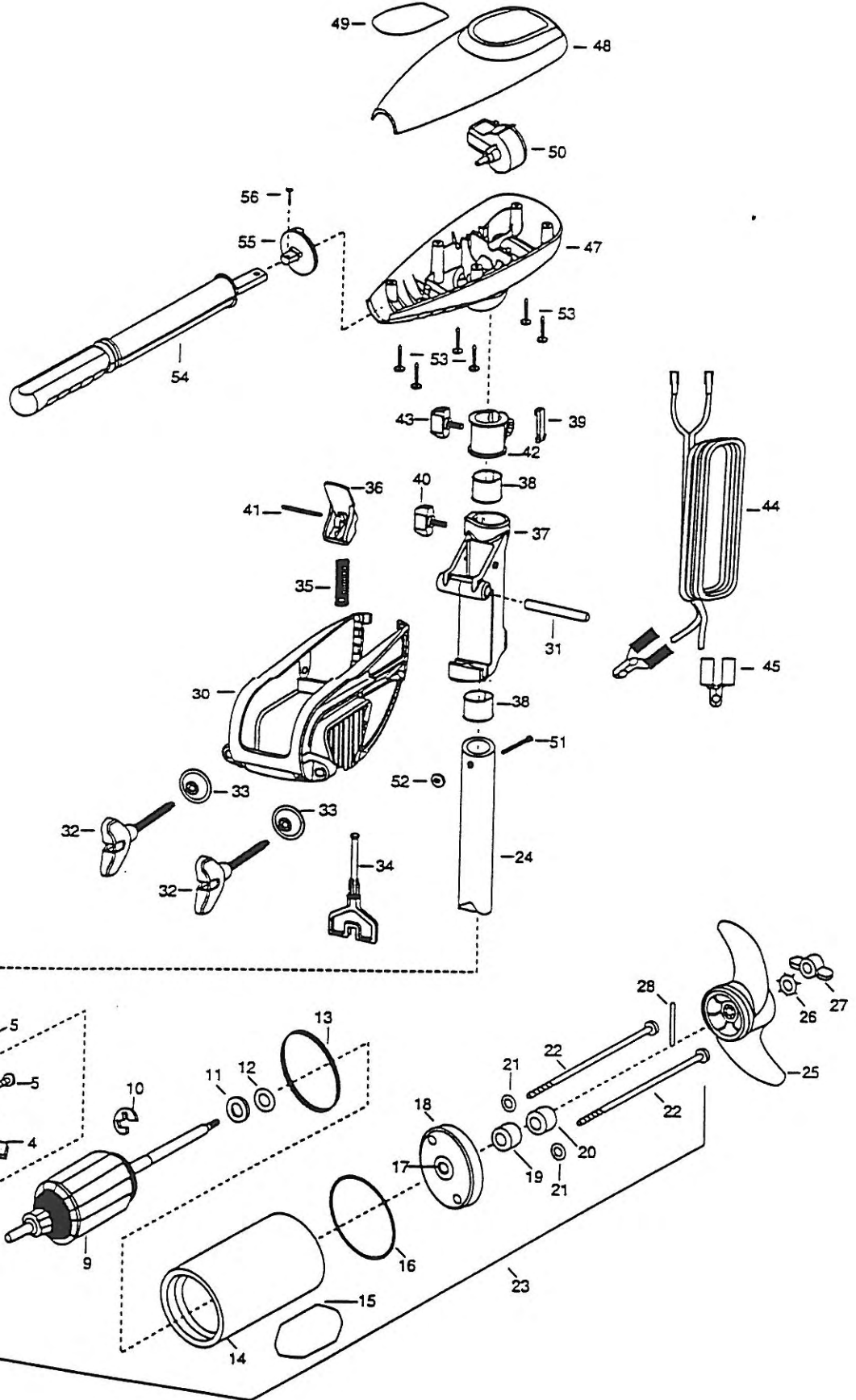


Power Paddle
30 lbs. Thrust
12 volt



Power Paddle 30



PARTS LIST

1.	403025	BRUSH END HOUSING W/COIL	29a.	2771910	BRACKET & HINGE ASSY (INCLUDES- 30,32,33)
2.	406405	BRUSH PLATE ASSEMBLY	30.	2061910	BRACKET-ORDER 29A
3.	406081	BRUSH SPRING (2 REQ'D)	31.	2060510	PIN-HINGE
4.	406072	BRUSH ASSEMBLY (2 REQ'D)	32.	2061300	SCREW-CLAMP (2 REQ'D)
5.	406341	BRUSH PLATE SCREW (2 REQ'D)	33.	2011710	WASHER-CLAMP SCREW (2 REQ'D)
6.	403050	THRUST DISK	34.	2063605	T-BAR, PLASTIC
7.	403010	THRUST BALL	35.	2062706	SPRING- (T-BAR)
8.	406090	BRUSH HOLDER	36.	2067200	LEVER-TILT (RED)
9.	403207	ARMATURE ASSEMBLY	37.	2061810	HINGE-PLASTIC
10.	405300	E-RING	39.	2037300	BUSHING-HINGE (2 REQ'D)
11.	406170	THRUST WASHER- STEEL	39.	2062800	TENSION BLOCK-SNAP IN
12.	405171	THRUST WASHER- NYLON	40.	2061310	SCREW, TENSION/KNOB
13.	403460	O-RING	41.	2060515	PIN, TILT LEVER
14.	403257	CENTER SECTION W/MAGNETS	42.	2061520	COLLAR-DEPTH
15.	2006609	DECAL MOTOR	43.	2011365	SCREW-COLLAR/NEW KNOB
16.	406460	O-RING	44.	2020600	LEADWIRE (14 GA) CLIPS
17.	406600	FLANGE BEARING (SERVICE ONLY)	45.	2020721	CLAMP, ELECTRIC (2 REQ'D)
18.	403033	PLAIN END HOUSING	46.	2256300	TIE WRAP 5.5 BLACK
18.	406461	SEAL	47.	2062510	CONTROL BOX
20.	406471	SEAL- CUP	48.	2060213	CONTROL BOX COVER
21.	401462	O-RING —THRU BOLT(2 REQ'D)	49.	2065602	DECAL COVER
22.	403354	THRU BOLT (2 REQ'D)	50.	2064023	SWITCH-FWD/REV 5 SP
23.	2069066	MOTOR ASSEMBLY	51.	2033401	SCREW-10-24 X 1-3/4
24.	2032045	TUBE, COMPOSITE 30"	52.	2013110	NUT-10-24 HEX
25.	2061125	PROP (WEEDLESS WEDGE)	53.	2012100	SCREW-8-18 X 5/8 (6 REQ'D)
26.	2051700	LOCKWASHER-PROP (MEDIUM)	54.	2990901	HANDLE ASSEMBLY 5 SPEED
27.	2053100	NUT-PROP (MEDIUM)	55.	2060405	PIVOT, HANDLE
28.	2092600	PIN-DRIVE	56.	2012102	SCREW
29.	2771810	BRACKET & HINGE ASSEMBLY (INCLUDES- 29A—41)			

