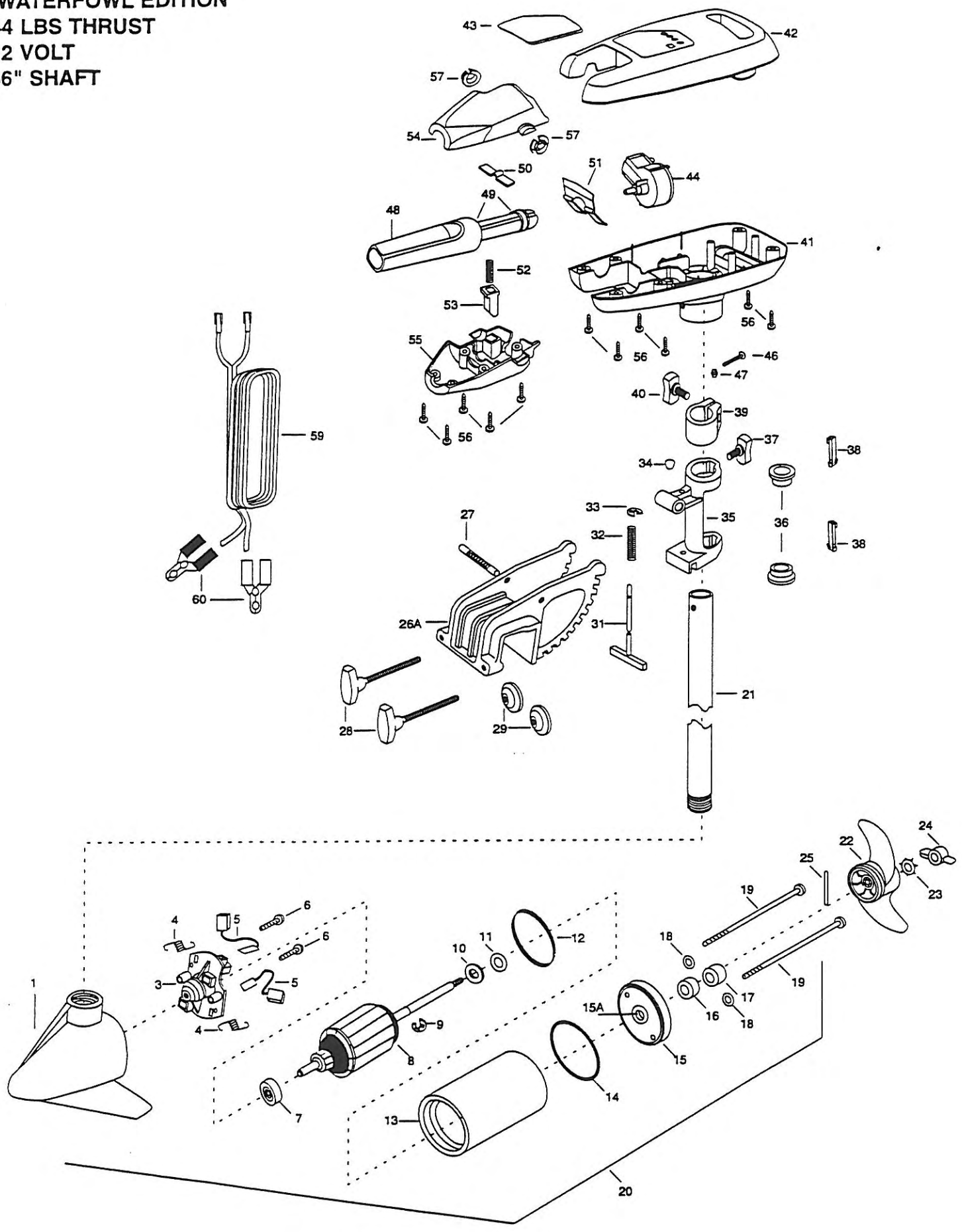


**CAMOUFLAGE
WATERFOWL EDITION
44 LBS THRUST
12 VOLT
36" SHAFT**



JWA MACHINE, 706 Holly Lane, Mankato, Minnesota 56001. In Canada, parts may be ordered from any of the Canadian Authorized Service Centers shown on the enclosed list. Be sure to provide MODEL and SERIAL numbers of your motor when ordering parts. Please use the correct part numbers from the parts list. Payment for any parts ordered from the MINN KOTA parts department, may be by cash, personal check, Discover Card MasterCard or VISA. To order, call 1-800-227-6433 or FAX 1-800-527-4464.

Para los Estados Unidos, consultar la lista anexa para ubicar el Centro de servicio autorizado MINN KOTA. No dejar de incluir el número del MODELO y el número de SERIE del motor para el cual se solicitan las piezas. Usar siempre los números de pieza correctos indicados en la lista de piezas.

En les États-Unis, voir la liste ci-jointe pour le Centre de Service Agréé MINN KOTA le plus proche. Lors d'une commande, ne pas oublier de fournir le numéro de modèle et le numéro de série du moteur. Toujours mentionner le numéro de pièce exact figurant sur la liste des pièces de rechange.

Fora da América do Norte, queira consultar a lista anexa para identificar o Centro de Serviço Autorizado MINN KOTA. Não deixa de incluir o número do MODELO e o número de SÉRIE do motor ao pedir peças. Sempre use os números corretos das peças da lista de peças.

1	409026	FRONT ENDBELL W/SPEED COIL	31	2033600	T-BAR
3	406403	BRUSH PLATE ASSEMBLY	32	2012700	SPRING-T-BAR
4	406082	BRUSH SPRING (2 REQ'D)	33	2013000	E-RING
5	406071	BRUSH ASSEMBLY (2 REQ'D)	34	2010100	KNOB-TILT
6	406342	BRUSH PLATE SCREW (2 REQ'D)	35	2031852	HINGE
7	406010	BALL BEARING	36	2037300	BUSHING-HINGE (2 REQ'D)
8	406208	ARMATURE ASSEMBLY	37	2011385	SCREW-TENSION W/NEW KNOB
9	405300	E-RING	38	2032800	TENSION BLOCK- "SNAP IN" (2 REQ'D)
10	406170	THRUST WASHER- STEEL (AS REQ'D)	39	2031520	COLLAR-DEPTH (W/O INSERT)
11	405171	THRUST WASHER- NYLON (AS REQ'D)	40	2011365	SCREW-COLLAR W/NEW KNOB
12	406490	GASKET	41	2067700	CONTROL BOX- CAMO, W/HND, 5 SP
13	409259	CENTER SECTION W/MAGNETS	42	2060282	CONTROL BOX COVER- CAMO
14	406470	O-RING	43	2095679	DECAL COVER-90T CAMO
15	406033	REAR ENDBELL	44	2064023	SWITCH-FWD/REV COMBO-5 SP
15A	406600	FLANGE BEARING (SERVICE ONLY)	46	2033400	SCREW-10-24 X 1-3/4
16	406461	SEAL	47	2013110	NUT-HEX (ZINC/CAD PLATE)
17	406471	SEAL- CUP	48	2990917	HANDLE ASSEMBLY W/U-JOINT 5SP
18	405462	O-RING —THRU BOLT(2 REQ'D)	49	2060000	HANDLE BEARING (2 REQ'D)
19	406353	THRU BOLT (2 REQ'D)	50	2302742	SPRING-DETENT (OFF) (SS)
20	2099061	MOTOR ASSEMBLY	51	2302743	SPRING-DETENT (HANDLE)
21	2032052	TUBE (COMPOSITE) 36"	52	2302745	SPRING-RELEASE BUTTON (SS)
22	2091150	PROP (WEEDLESS WEDGE)	53	2303720	RELEASE BUTTON-HANDLE
23	2051700	LOCKWASHER-PROP (MEDIUM)	54	2067702	HANDLE- CAMO (TOP HALF)
24	2053100	NUT-PROP (MEDIUM)	55	2067701	HANDLE- CAMO (LOWER HALF)
25	2092600	PIN-DRIVE (SS)	56	2303412	SCREW-6-20 X 5/8 SELF TAP (11 REQ'D)
26	2991960	BRACKET & HINGE ASSEMBLY (INCLUDES 26A, 27-38)	57	2060005	BEARING-HANDLE PIVOT (2 REQ'D)
*26A	2031904	BRACKET (ORDER 26B)	59	2050600	LEADWIRE (10 GA W/CLIPS)
26B	2771907	BRACKET ASSEMBLY (INCLUDES 26A, 28-30)	60	2010700	BATTERY CLIPS (2 REQ'D)
27	2010511	PIN-HINGE			
28	2011375	SCREW-CLAMP (2 REQ'D)			
29	2011710	WASHER-CLAMP SCREW (2 REQ'D)			

* This item is part of an assembly. This item cannot be sold separately due to machining and /or assembly that is required.

