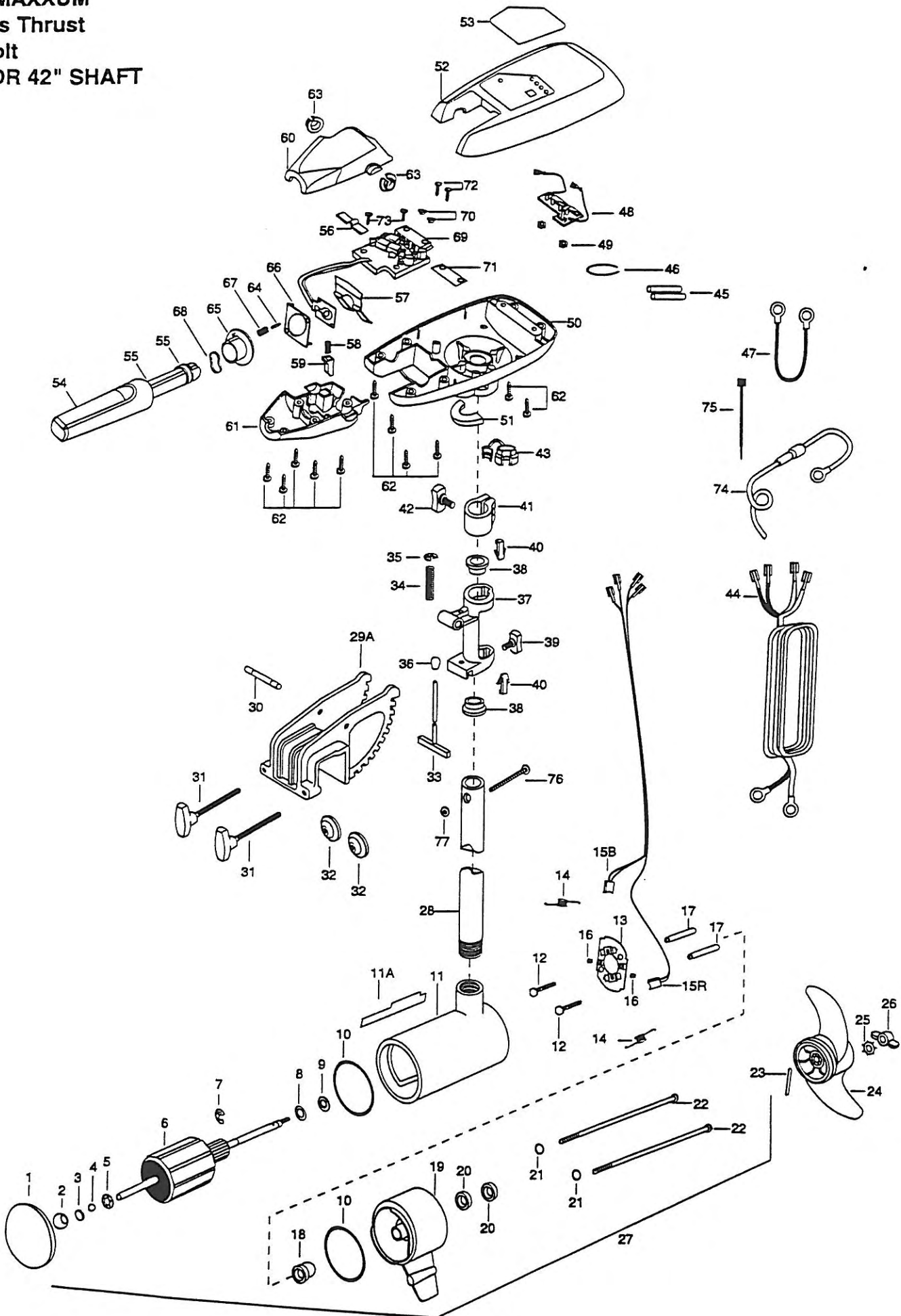


74T MAXXUM  
74 lbs Thrust  
24 Volt  
36" OR 42" SHAFT



ordered from any Canadian Authorized Service Centers shown on the enclosed list. Be sure to provide DEL and SERIAL numbers of your motor when ordering parts. Please use the correct part numbers from the parts list. Payment for any parts ordered from the MINN KOTA parts department, may be by cash, personal check, Discover Card MasterCard or VISA. To order, call 1-800-227-6433 or FAX 1-800-527-4464.

anexa para ubicar el Centro de servicio autorizado MINN KOTA. No dejar de incluir el número del MODELO y el número de SERIE del motor para el cual se solicitan las piezas. Usar siempre los números de pieza correctos indicados en la lista de piezas.

le Centre de Service Agréé MINN KOTA le plus proche. Lors d'une commande, ne pas oublier de fournir le numéro de modèle et le numéro de série du moteur. Toujours mentionner le numéro de pièce exact figurant sur la liste des pièces de rechange.

Para a América do Norte, sempre consultar a lista anexa para identificar o número dentro de Serviço Autorizado MINN KOTA. Não deixe de incluir o número do modelo e o número de SÉRIE do seu motor quando pedir peças. Sempre use os números corretos das peças da lista de peças.

1	409024	FRONT ENDBELL	29	2991960	BRACKET/HINGE ASSEMBLY (29A, 30-40)	60	2060409	HANDLE- TOP HALF
2	409600	SPHERICAL BEARING	29A	2031901	BRACKET (ORDER 29B)	61	2060415	HANDLE- LOWER HALF
3	406050	THRUST DISC	29B	2771901	BRACKET ASSEMBLY (29A, 31-32)	62	2303412	SCREW-6-20 X 5/8 SELF TAP (11 REQ'D)
4	405010	PRECISION BALL	30	2010511	PIN-HINGE	63	2060005	BEARING- HANDLE PIVOT
5	409301	BEARING RETAINER	31	2011375	SCREW-CLAMP (2 REQ'D)	64	2302600	PIN- ACTUATOR
6	410203	ARMATURE ASSEMBLY	32	2011710	WASHER-CLAMP SCREW (2 REQ'D)	65	2302850	ACTUATOR- CAM
7	409300	E-RING	33	2033600	T-BAR	66	2302851	ACTUATOR- FWD/REV
8	409170	THRUST WASHER- STEEL (AS REQ'D)	34	2012700	SPRING-T-BAR	67	2302740	SPRING- ACTUATOR
9	409171	THRUST WASHER- NYLON (AS REQ'D)	35	2013000	E-RING	68	2302741	SPRING- CAM
10	409460	O-RING (2 REQ'D)	36	2010100	KNOB-TILT	69	2344006	CTRL BRD W/O LEAD- 24V
11	409257	CENTER SECTION W/ MAGNETS	37	2031852	HINGE	70	2301710	WASHER- INSUL.TRANSFER BAR
11A	2006601	DECAL- LOWER UNIT MAXXUM	38	2037300	BUSHING-HINGE (2 REQ'D)	71	2365105	INSULATOR PAD
12	405341	SCREW- BRUSH PLATE (2 REQ'D)	39	2011385	SCREW-TENSION W/NEW KNOB	72	2372100	SCREW -8-18 X 5/8 SS (2 REQ'D)
13	409402	BRUSH PLATE ASSEMBLY	40	2062800	TENSION BLOCK (2 REQ'D)	73	2301310	SCREW- 8-18 X 1/2 SS (2 REQ'D)
14	406083	SPRING- BRUSH (2 REQ'D)	41	2061520	COLLAR-DEPTH ENDURA	74	2060310	GROUND WIRE- FUSED
15B	409072	BRUSH ASSEMBLY- BLACK	42	2011365	SCREW-COLLAR W/NEW KNOB	75	2256300	TIE WRAP 5.5"
15R	409071	BRUSH ASSEMBLY- RED	43	2332900	STRAIN RELIEF	76	2332102	SCREW 10-24 X 1-3/4" SS
16	409343	SET SCREW- BRUSH (2 REQ'D)	44	2330600	LEADWIRE- 10 GA. W/ RINGS	77	2333101	NUT -HEX 3HP SS
17	405151	SPACER- BRUSH PLATE (2 REQ'D)	45	2375400	SHRINK TUBE (2 REQ'D)			
18	409000	FLANGE BEARING	46	2303001	RING- PIG			
19	409033	REAR ENDBELL	47	2340610	CONNECTOR CABLE 12"			
20	409461	SEAL (2 REQ'D)	48	2034036	BATTERY GAUGE- 24V. /4 LED			
21	409462	O-RING- THRU BOLT (2 REQ'D)	49	2303120	SPEED NUT(2 REQ'D)			
22	409352	THRU BOLT (2 REQ'D)	50	2062586	CONTROL BOX			
23	2092600	PIN- DRIVE	51	2061512	COLLAR- CONTROL BOX			
24	2331120	PROPELLER	52	2990294	COVER- CNTRL BOX/DECAL ASS'Y			
25	2091700	LOCKWASHER	53	2345604	DECAL- COVER 74T			
26	2093100	NUT- PROP	54	2990914	HANDLE ASSEMBLY W/O U-JOINT			
27	2317036	MOTOR ASSEMBLY 24V 4"	55	2060000	BEARING- HANDLE (2 REQ'D)			
28	2032057	TUBE (36")	56	2302742	SPRING- DETENT OFF SS			
	2032053	TUBE (42")	57	2302743	SPRING- DETENT HANDLE-TILT			
			58	2302745	SPRING- RELEASE BUTTON SS			
			59	2303720	RELEASE BUTTON- HANDLE			

74T MAXXUM

\* This item is part of an assembly. This item cannot be sold separately due to machining and /or assembly that is required.

