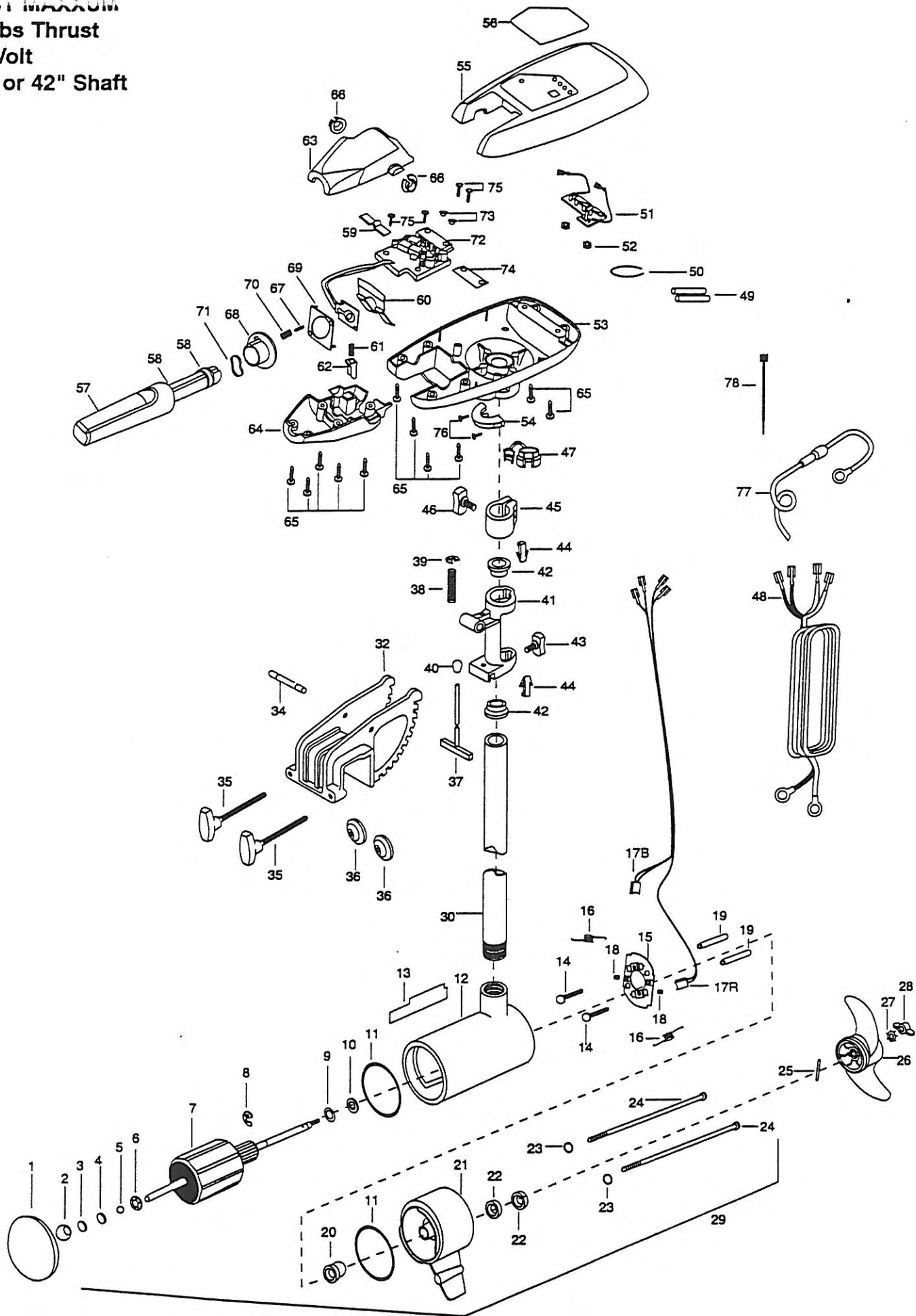


55BT MAXXUM
55 lbs Thrust
12 Volt
36" or 42" Shaft



ordered from any of the Canadian Authorized Service Centers shown on the enclosed list. Be sure to provide MODEL and SERIAL numbers of your motor when ordering parts. Please use the correct part numbers from the parts list. Payment for any parts ordered from the MINN KOTA parts department, may be by cash, personal check, Discover Card MasterCard or VISA. To order, call 1-800-227-6433 or FAX 1-800-527-4464.

lista anexa para ubicar el Centro de servicio autorizado MINN KOTA. No dejar de incluir el número del MODELO y el número de SERIE del motor para el cual se solicitan las piezas. Usar siempre los números de pieza correctos indicados en la lista de piezas.

le Centre de Service Agréé MINN KOTA le plus proche. Lors d'une commande, ne pas oublier de fournir le numéro de modèle et le numéro de série du moteur. Toujours mentionner le numéro de pièce exact figurant sur la liste des pièces de rechange.

para a lista anexa para identificar o Centro de Serviço Autorizado MINN KOTA. Não deixe de incluir o número do MODELO e o número de SÉRIE do motor ao pedir peças. Sempre use os números corretos das peças da lista de peças.

1	409024	FRONT ENDBELL	31	2991960	BRACKET/HINGE ASSEMBLY (32, 34-44)	64	2060415	HANDLE- LOWER HALF
2	409600	SPHERICAL BEARING	*32	2031901	BRACKET (ORDER 33)	65	2303412	SCREW-6-20 X 5/8 SELF TAP (11 REQ'D)
3	406050	THRUST DISC	33	2771901	BRACKET ASSEMBLY (32, 35, 36)	66	2060005	BEARING- HANDLE PIVOT
4	406060	THRUST DISC	34	2010511	PIN-HINGE	67	2302600	PIN- ACTUATOR
5	405010	BALL- STEEL	35	2011375	SCREW-CLAMP (2 REQ'D)	68	2302850	ACTUATOR- CAM
6	409301	BEARING RETAINER	36	2011710	WASHER-CLAMP SCREW (2 REQ'D)	69	2302851	ACTUATOR- FWD/REV
7	410202	ARMATURE ASSEMBLY	37	2033600	T-BAR	70	2302740	SPRING- ACTUATOR
8	409300	E-RING	38	2012700	SPRING-T-BAR	71	2302741	SPRING- CAM
9	409170	THRUST WASHER- STEEL (AS REQ'D)	39	2013000	E-RING	72	2334006	CTRL BRD W/ LEAD- 12V EX55
10	409171	THRUST WASHER- NYLON (AS REQ'D)	40	2010100	NOB-TILT	73	2301710	WASHER- INSUL.TRANSFER BAR
11	409460	O-RING (2 REQ'D)	41	2031852	HINGE	74	2365105	INSULATOR PAD
12	409257	CENTER SECTION W/ MAGNETS	42	2037300	BUSHING-HINGE (2 REQ'D)	75	2372100	SCREW -8-18 X 5/8 SS (4 REQ'D)
13	2006601	DECAL- LOWER UNIT MAXXUM	43	2011385	SCREW-TENSION W/NEW KNOB	76	2301310	SCREW- 8-18 X 1/2 SS (2 REQ'D)
14	405341	SCREW-BRUSH PLATE (2 REQ'D)	44	2032800	TENSION BLOCK (2 REQ'D)	77	2060310	GROUND WIRE- FUSED
15	409402	BRUSH PLATE ASSEMBLY	45	2061520	COLLAR-DEPTH (ENDURA)	78	2256300	TIE WRAP 5.5"
16	406083	SPRING -BRUSH (2 REQ'D)	46	2011365	SCREW-COLLAR /NEW KNOB	79	2095625	NR DECAL-CVR (not shown)
17B	409072	BRUSH ASSEMBLY- BLACK	47	2332900	STRAIN RELIEF- C.CORD			
17R	409071	BRUSH ASSEMBLY- RED	48	2330600	LEADWIRE- 10 GA. W/ RINGS			
18	409343	SET SCREW-BRUSH (2 REQ'D)	49	2375400	SHRINK TUBE 1/4 X 1-3/4 (2 REQ'D)			
19	405151	SPACER-BRUSH PLATE (2 REQ'D)	50	2303001	RING- PIG			
20	409000	FLANGE BEARING	51	2034035	BATTERY GAUGE- 12V. /4 LED			
21	409033	REAR ENDBELL	52	2303120	SPEED NUT			
22	409461	SEAL (2 REQ'D)	53	2062582	CONTROL BOX			
23	409462	O-RING- THRU BOLT (2 REQ'D)	54	2061510	COLLAR- CONTROL BOX			
24	409352	THRU BOLT (2 REQ'D)	55	2990294	COVER- CNTRL BOX/DECAL ASS'Y			
25	2092600	PIN- DRIVE	56	2335602	NR DECAL- COVER 55BT			
26	2331120	PROPELLER	57	2990914	HANDLE ASSEMBLY			
27	2091700	LOCKWASHER	58	2060000	BEARING- HANDLE (2 REQ'D)			
28	2093100	NUT- PROP	59	2302742	SPRING- DETENT OFF SS			
29	2337072	NR MOTOR ASSEMBLY	60	2302743	SPRING- DETENT HANDLE-TILT			
30	2032057	TUBE (36")	61	2302745	SPRING- RELEASE BUTTON SS			
	2032053	TUBE (42")	62	2303720	RELEASE BUTTON- HANDLE			
			63	2060409	HANDLE- TOP HALF			

55BT MAXXUM

PARTS LIST

* This item is part of an assembly. This item cannot be sold separately due to machining and /or assembly that is required.

Max 55T & 55BT

