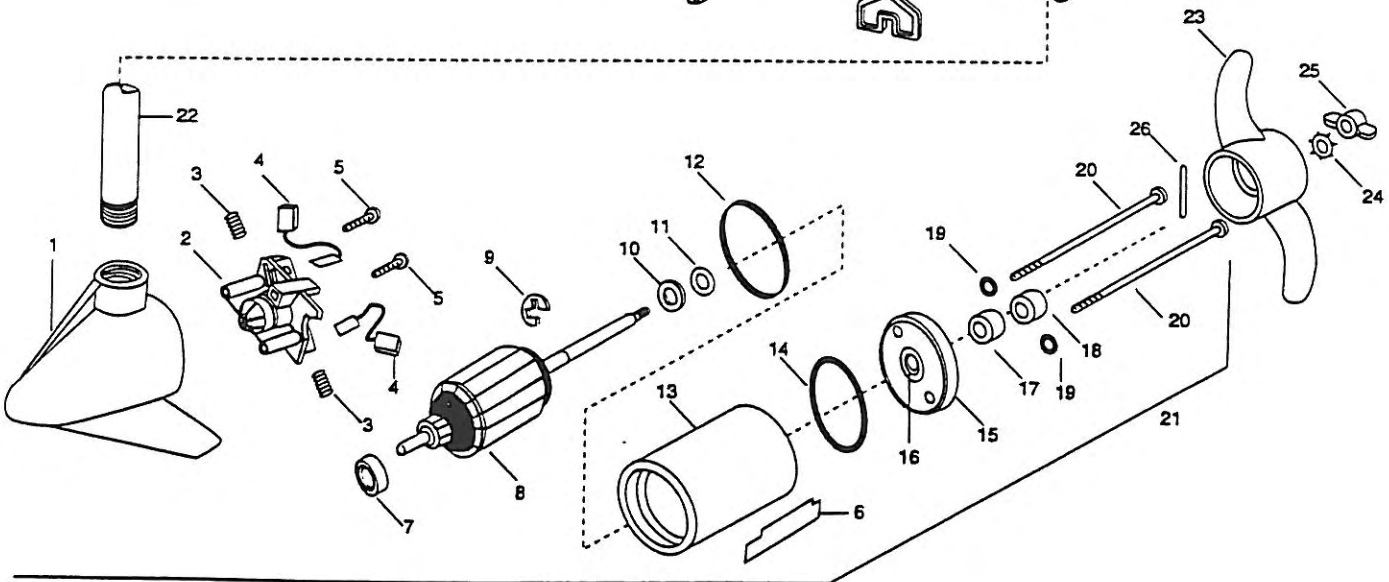
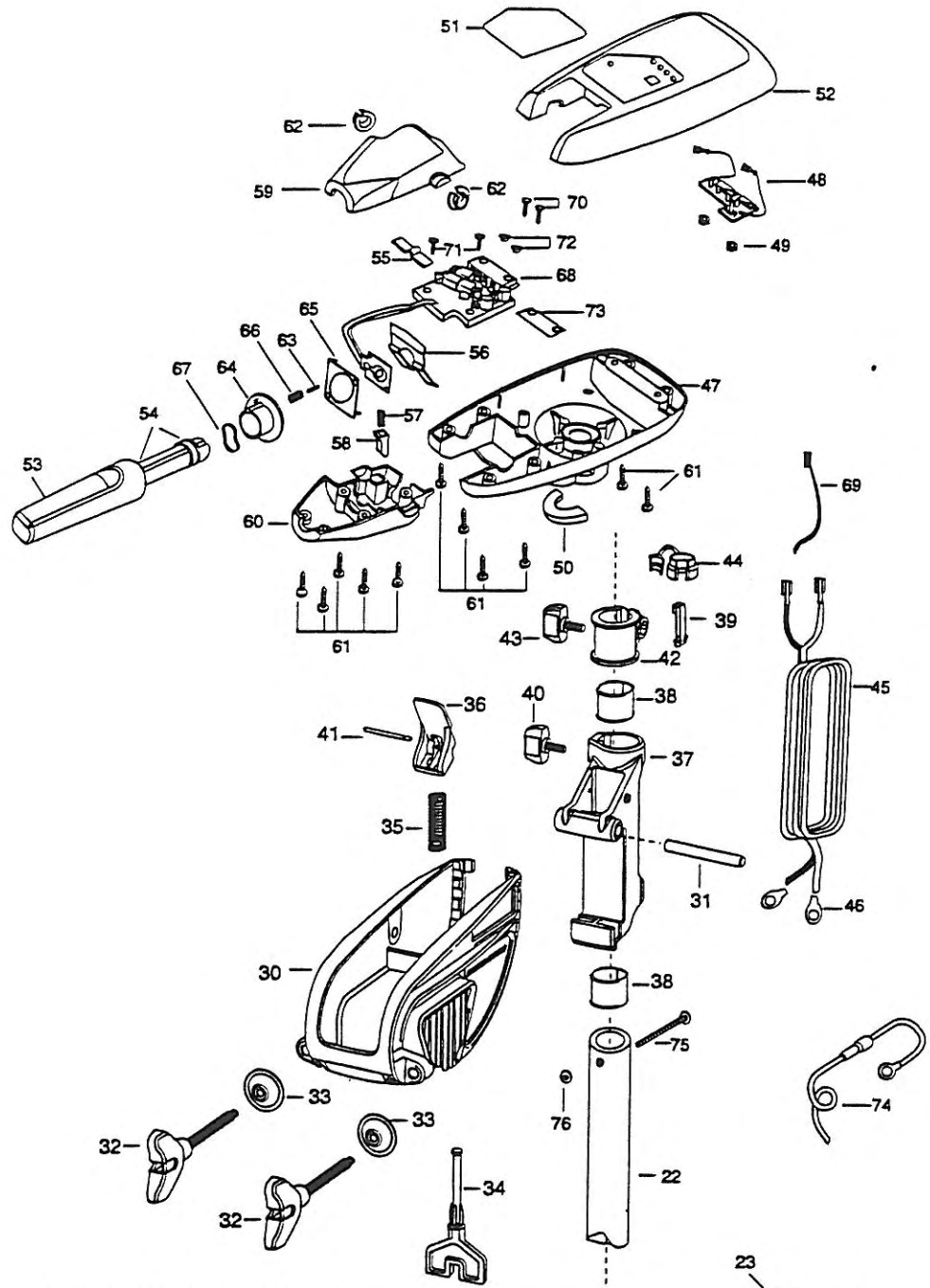


44BT MAXXUM
44 LBS. THRUST
12 VOLT
36" SHAFT



ordered from any of our authorized dealers, Minneapolis, Minnesota 55001. In Canada, parts may be ordered from any of our Canadian Authorized Service Centers shown on the enclosed list. Be sure to provide MODEL and SERIAL numbers of your motor when ordering parts. Please use the correct part numbers from the parts list. Payment for any parts ordered from the MINN KOTA parts department, may be by cash, personal check, Discover Card MasterCard or VISA. To order, call 1-800-227-8433 or FAX 1-800-527-4464.

anexa para ubicar el Centro de servicio autorizado MINN KOTA. No dejar de incluir el número del MODELO y el número de SERIE del motor para el cual se solicitan las piezas. Usar siempre los números de pieza correctos indicados en la lista de piezas.

le Centre de Service Agréé MINN KOTA le plus proche. Lors d'une commande, ne pas oublier de fournir le numéro de modèle et le numéro de série du moteur. Toujours mentionner le numéro de pièce exact figurant sur la liste des pièces de rechange.

para da América do Norte, queira consultar a lista anexa para identificar o Centro de Serviço Autorizado MINN KOTA e o número de incluir o número do motor e o número de SÉRIE do seu motor ao pedir peças. Sempre use os números corretos das peças da lista de peças.

1	409023	BRUSH END HOUSING	31	2060510	PIN-HINGE	61	2303412	SCREW 6-20 X 5/8 SELF TAP (11 REQ'D)
2	406403	BRUSH PLATE ASSEMBLY	32	2061300	SCREW-CLAMP (2 REQ'D)	62	2060005	BEARING -HANDLE PIVOT (2 REQ'D)
3	406082	BRUSH SPRING (2 REQ'D)	33	2011710	WASHER-CLAMP SCREW (2 REQ'D)	63	2302600	PIN -ACTUATOR
4	406071	BRUSH ASSEMBLY	34	2063605	T-BAR, PLASTIC	64	2302850	ACTUATOR -CAM
5	406342	BRUSH PLATE SCREW	35	2062706	SPRING- (T-BAR)	65	2302851	ACTUATOR -FWD/REV
6	2006601	DECAL MOTOR	36	2067200	LEVER-TILT (RED)	66	2302740	SPRING -ACTUATOR
7	406010	BALL BEARING	37	2061810	HINGE-PLASTIC	67	2302741	SPRING -CAM
8	406208	ARMATURE ASSEMBLY	38	2037300	BUSHING-HINGE (2 REQ'D)	68	2194000	CONTROL BOARD ASSEMBLY
9	405300	E-RING	39	2062800	TENSION BLOCK-SNAP IN	69	2256300	TIE WRAP 5.5
10	406170	THRUST WASHER -STEEL (AS REQ'D)	40	2011385	SCREW, TENSION/KNOB	70	2372100	SCREW 8-18 X 5/8 SS (2 REQ'D)
11	405171	THRUST WASHER -NYLON (AS REQ'D)	41	2060515	PIN, TILT LEVER	71	2301310	SCREW 8-18 X 1/2 SS (2 REQ'D)
12	406490	GASKET	42	2061520	COLLAR -DEPTH ENDURA	72	2301710	WASHER -INSUL. (2REQ'D)
13	409259	CENTER SECTION W/MAGNETS	43	2011365	SCREW -COLLAR/NEW KNOB	73	2365105	INSULATING PAD
14	406470	O-RING	44	2052900	STRAIN RELIEF	74	2060310	FUSED GROUND WIRE
15	406033	PLAIN END HOUSING	45	2090600	LEADWIRE (10 GA) RINGS	75	2332102	SCREW 10-24X1-3/4" SS
16	406600	FLANGE BEARING (SERVICE ONLY)	46	2020700	RING TERMINAL (2 REQ'D)	76	2333101	NUT -HEX 3HP SS
17	406461	SEAL	47	2062585	CONTROL BOX -FW .725 BORE ZINC	77	2095625	NR DECAL -CVR "PWT" (not shown)
18	406471	SEAL- CUP	48	2034035	BATTERY GAUGE-12 V			
19	405462	O-RING -THRU BOLT	49	2303120	SPEED NUT (2 REQ'D)			
20	406353	THRU BOLT (2 REQ'D)	50	2061512	COLLAR -CTRL BOX			
21	2099063	MOTOR ASSEMBLY	51	2095612	DECAL -COVER 44BT			
22	2032052	TUBE (COMPOSITE) 36"	52	2990294	CNTRL BOX CVR-/DECAL ASSEMBLY			
23	2091150	PROP (WEEDLESS WEDGE)	53	2990914	HANDLE ASSEMBLY W/O U-JOINT			
24	2051700	LOCKWASHER-PROP	54	2060000	HANDLE BEARING (2 REQ'D)			
25	2053100	NUT -PROP	55	2302742	SPRING -DETENT (OFF) SS			
26	2092600	PIN -DRIVE SS	56	2302743	SPRING -DETENT HANDLE -TILT			
29	2991811	BRACKET & HINGE ASSEMBLY (INCLUDES- 29A—41)	57	2302745	SPRING -RELEASE BUTTON SS			
29A	2771910	BRACKET & HINGE ASSEMBLY (INCLUDES -30,32,33)	58	2303720	RELEASE BUTTON -HANDLE			
*30	2061910	BRACKET -ORDER 29A	59	2060409	HANDLE (TOP HALF)			
			60	2060415	HANDLE (LOWER HALF)			

PARTS LIST

44BT MAXXUM

Max 30T, 36T, 44T, & 44BT

