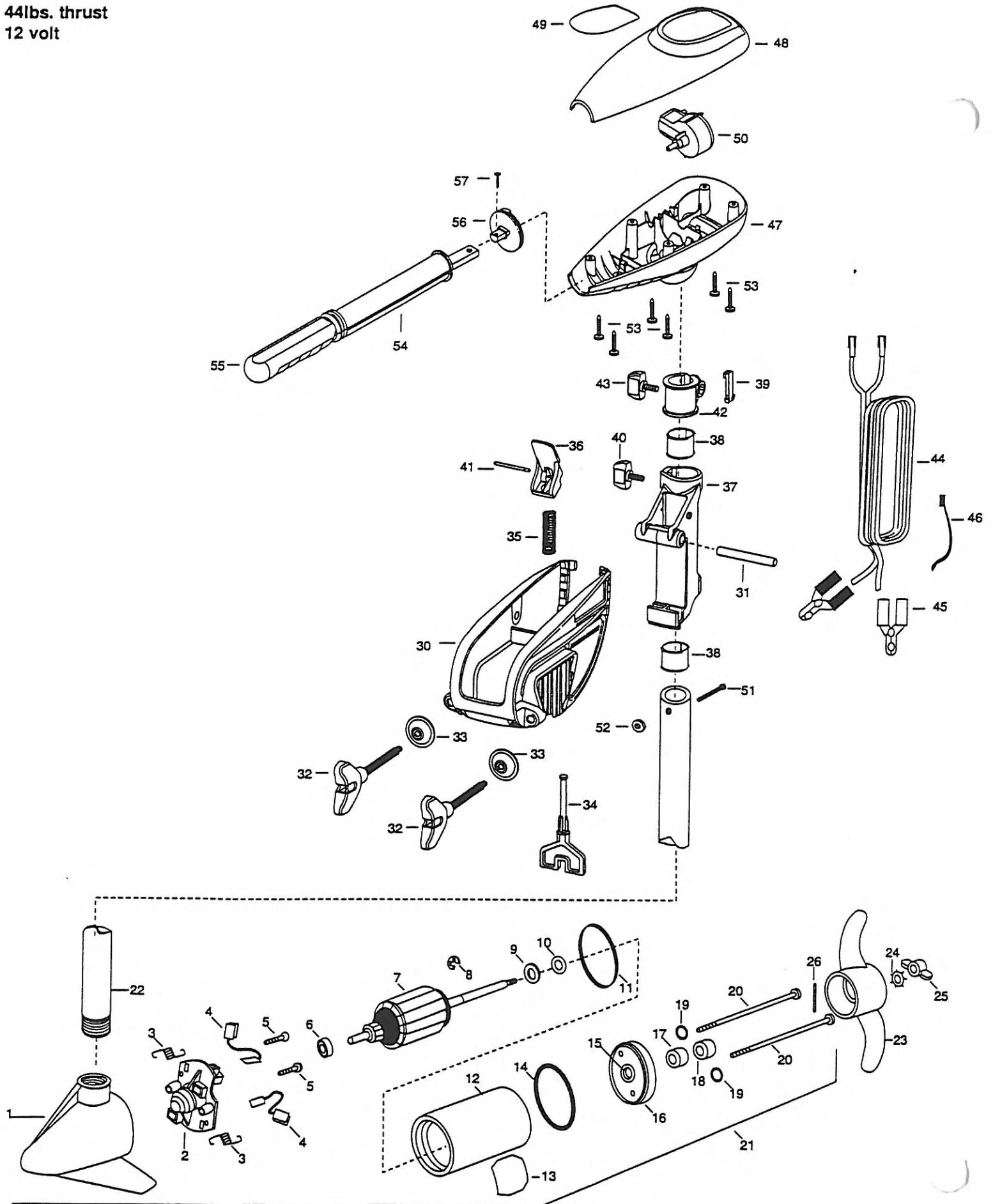


ENGINES
44lbs. thrust
12 volt



Canadian Authorized Service Centers shown on the enclosed list. Be sure to provide the MODEL and SERIAL numbers of your motor when ordering parts. Please use the correct part numbers from the parts list. Payment for any parts ordered from the MINN KOTA parts department, may be by cash, personal check, Discover and MasterCard or VISA. To order, call 1-800-227-6433 or FAX 1-800-527-4464.

pour le Centre de Service Agréé MINN KOTA le plus proche. Ne pas oublier de fournir les numéros de Modèle et de Série of votre Moteur lorsque vous placez une commande. Employez toujours le numéro de pièce exact se trouvant sur la list des pièces de remplacement.

Fora da América do Norte, queira consultar a lista anexa para identificar o Centro de Serviço Autorizado MINN KOTA. Não deixe de incluir o número do MODELO e do SÉRIE do seu motor ao pedir peças. Sempre use os números corretos das peças da lista de peças.

- | | | | | | |
|-----|---------|---|-----|---------|----------------------------|
| 1 | 409026 | BRUSH END HOUSING W/COIL | 37 | 2061810 | HINGE-PLASTIC |
| 2 | 406403 | BRUSH PLATE ASSY 3.5/8 DIA | 38 | 2037300 | BUSHING-HINGE (2 REQ'D) |
| 3 | 406082 | SPRING- BRUSH (2 REQ'D) | 39 | 2032800 | TENSION BLOCK-SNAP IN |
| 4 | 406071 | BRUSH (2 REQ'D) | 40 | 2061310 | SCREW, TENSION/KNOB |
| 5 | 406342 | BRUSH PLATE SCREW (2 REQ'D) | 41 | 2060515 | PIN, TILT LEVER |
| 6 | 406010 | BALL BEARING | 42 | 2061520 | COLLAR-DEPTH |
| 7 | 406208 | ARMATURE ASSEMBLY | 43 | 2011365 | SCREW-TENSION/NEW KNOB |
| 8 | 405300 | E-RING-ARMATURE | 44 | 2050600 | LEADWIRE (10 GA) CLIPS |
| 9 | 406170 | WASHER-THRUST (STEEL) | 45 | 2010700 | BATTERY CLIP (2 REQ'D) |
| 10 | 405171 | WASHER-NYLATRON THRUST | 46 | 2056300 | TIE WRAP |
| 11 | 406490 | GASKET | 47 | 2062510 | CONTROL BOX |
| 12 | 409259 | CENTER HOUSING FIELD ASSY | 48 | 2060209 | CONTROL BOX COVER |
| 13 | 2006609 | DECAL, MOT-LWR UN STGR/LN | 49 | 2065536 | DECAL COVER ENDURA 44 |
| 14 | 406470 | O-RING | 50 | 2064023 | SWITCH-FWD/REV 5 SP |
| 15 | 406600 | BEARING-(FLANGE, SERVICE ONLY) | 51 | 2033400 | SCREW-10-24 X 1-3/4 |
| 16 | 406033 | PLAIN END HOUSING | 52 | 2013110 | NUT-10-24 HEX |
| 17 | 406461 | SEAL | 53 | 2012100 | SCREW-8-18 X 5/8 (6 REQ'D) |
| 18 | 406471 | SEAL-W/CUP | 54 | 2990901 | HANDLE ASSEMBLY 5 SPEED |
| 19 | 405462 | O-RING THRU BOLT (2 REQ'D) | *55 | 2060422 | GRIP-HANDLE |
| 20 | 406353 | THRU BOLT (2 REQ'D) | 56 | 2060405 | PIVOT, HANDLE |
| 21 | 2099061 | MOTOR ASSEMBLY 36" | 57 | 2012102 | SCREW |
| | 2099062 | MOTOR ASSEMBLY 42" | | | |
| 22 | 2032052 | TUBE COMPOSITE 36" | | | |
| | 2032053 | TUBE COMPOSITE 42" | | | |
| 23 | 2091150 | PROPELLER (W.WEDGE) | | | |
| 24 | 2051700 | LOCKWASHER-PROP (MEDIUM) | | | |
| 25 | 2053100 | NUT-PROP (MEDIUM) | | | |
| 26 | 2092600 | PIN-DRIVE | | | |
| 28 | 2771810 | BRACKET & HINGE ASSY (INCLUDES- 29—41) | | | |
| 29 | 2771910 | BRACKET & HINGE ASSY (INCLUDES- 30,32,33) | | | |
| *30 | 2061910 | BRACKET-ORDER 29 | | | |
| 31 | 2060510 | PIN-HINGE | | | |
| *32 | 2061300 | SCREW-CLAMP (2 REQ'D) | | | |
| *33 | 2011710 | WASHER-CLAMP SCREW (2 REQ'D) | | | |
| 34 | 2063605 | T-BAR, PLASTIC | | | |
| 35 | 2062706 | SPRING- (T-BAR) | | | |
| 36 | 2067200 | LEVER-TILT (RED) | | | |

This item is part of an assembly. This item cannot be sold separately due to machining and /or assembly that is required.

PARTS LIST

Endura 44

