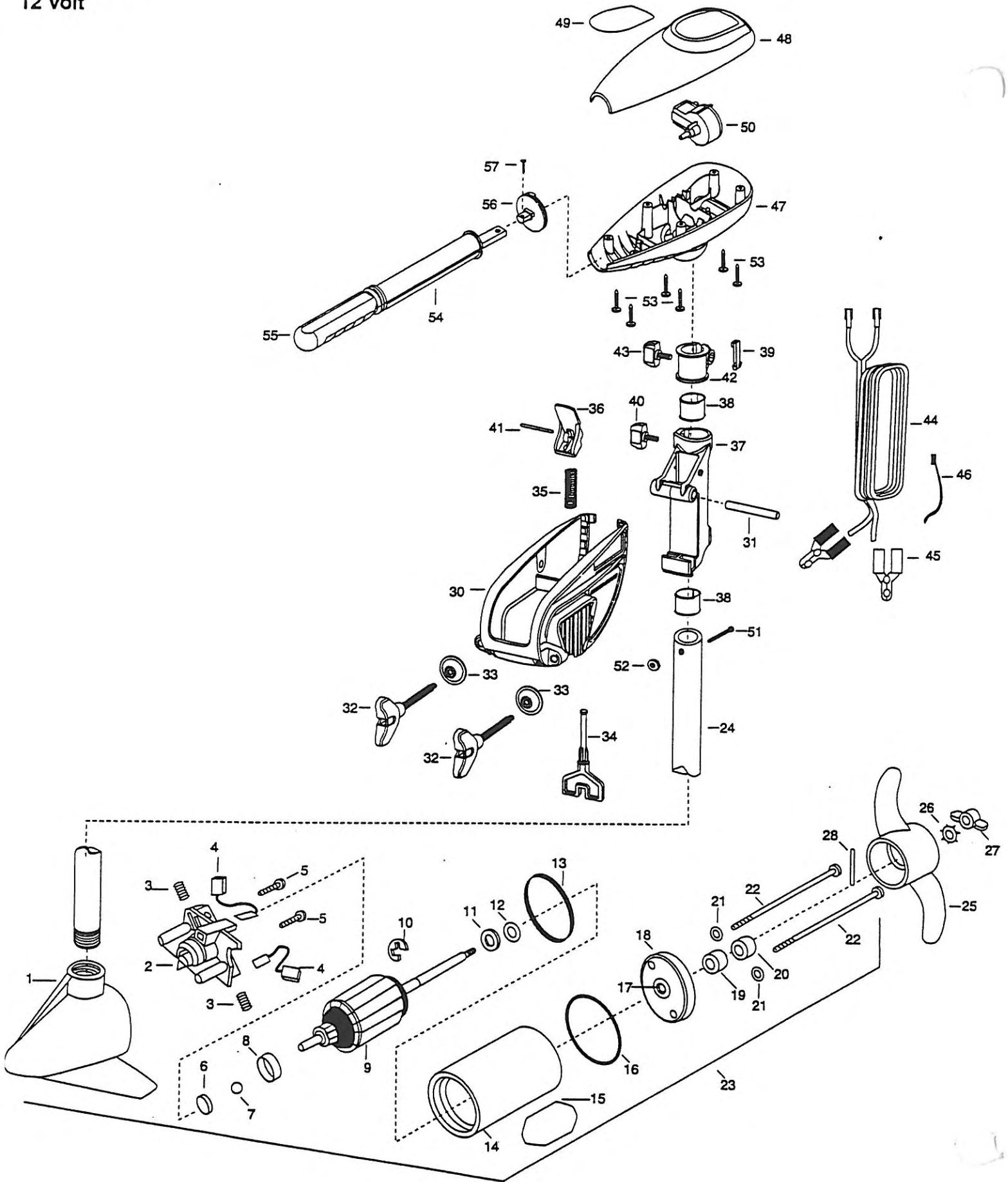


Model 34
34 lbs Thrust
12 volt



1531 E. Main Street, Mankato, Minnesota 56001. In Canada, parts may be ordered from any of the Canadian Authorized Service Centers shown on the enclosed list. Be sure to provide the MODEL and SERIAL numbers of your machine when ordering parts. Please use the correct part numbers from the parts list. Payment for any parts ordered from the MINN KOTA parts department, may be by cash, personal check, Discover Card MasterCard or VISA. To order, call 1-800-227-6433 or FAX 1-800-527-4464.

Hors de l'états-Unis, veuillez vous reporter à la liste ci-jointe pour le Centre de Service Agréé MINN KOTA le plus proche. Ne pas oublier de fournir les numéros de Modèle et de Série de votre Moteur lorsque vous placez une commande. Employez toujours le numéro de pièce exact se trouvant sur la liste des pièces de remplacement.

Fora da América do Norte, queira consultar a lista anexa para identificar o Centro de Serviço Autorizado MINN KOTA. Não deixe de incluir o número do Modelo e o número de SÉRIE do seu motor ao pedir peças. Sempre use os números corretos das peças da lista de peças.

1	403025	BRUSH END HOUSING W/POTTED COIL	37	2061810	HINGE-PLASTIC
2	406405	BRUSH PLATE ASSEMBLY	38	2037300	BUSHING-HINGE (2 REQ'D)
3	406081	BRUSH SPRING (2 REQ'D)	39	2032800	TENSION BLOCK-SNAP IN
4	406072	BRUSH ASSEMBLY (2 REQ'D)	40	2011385	SCREW, TENSION/KNOB
5	406341	BRUSH PLATE SCREW (2 REQ'D)	41	2060515	PIN, TILT LEVER
6	403050	THRUST DISK	42	2061520	COLLAR-DEPTH
7	403010	THRUST BALL	43	2011365	SCREW-COLLAR/NEW KNOB
8	406090	BRUSH HOLDER	44	2020600	LEADWIRE (14 GA) CLIPS
9	403207	ARMATURE ASSEMBLY	45	2020721	CLAMP, ELECTRIC (2 REQ'D)
10	405300	E-RING	46	2256300	TIE WRAP
11	406170	THRUST WASHER- STEEL (AS REQ'D)	47	2062510	CONTROL BOX
12	405171	THRUST WASHER- NYLON (AS REQ'D)	48	2060209	CONTROL BOX COVER
13	403460	O-RING	49	2065533	DECAL COVER ENDURA
14	403257	CENTER SECTION W/MAGNETS	50	2064023	SWITCH-FWD/REV 5 SP
15	2006609	DECAL MOTOR	51	2033400	SCREW-10-24 X 1-3/4
16	406460	O-RING	52	2013110	NUT-10-24 HEX
17	406600	FLANGE BEARING (SERVICE ONLY)	53	2012100	SCREW-8-18 X 5/8 (6 REQ'D)
18	403033	PLAIN END HOUSING	54	2990901	HANDLE ASSEMBLY 5 SPEED
19	406461	SEAL	*55	2060422	GRIP-HANDLE
20	406471	SEAL- CUP	56	2060405	PIVOT, HANDLE
21	401462	O-RING —THRU BOLT(2 REQ'D)	57	2012102	SCREW
22	403354	THRU BOLT (2 REQ'D)			
23	2069061	MOTOR ASSEMBLY			
24	2032046	TUBE, COMPOSITE 36"			
25	2061125	PROP (WEEDLESS WEDGE)			
26	2051700	LOCKWASHER-PROP (MEDIUM)			
27	2053100	NUT-PROP (MEDIUM)			
28	2092600	PIN-DRIVE			
29	2991810	BRACKET & HINGE ASSY (INCLUDES- 29A—41)			
29A	2771910	BRACKET ASSY (INCLUDES- 30,32,33)			
*30	2061910	BRACKET-ORDER 29A			
31	2060510	PIN-HINGE			
*32	2061300	SCREW-CLAMP (2 REQ'D)			
*33	2011710	WASHER-CLAMP SCREW (2 REQ'D)			
34	2063605	T-BAR, PLASTIC			
35	2062705	SPRING- (T-BAR)			
36	2067200	LEVER-TILT (RED)			

* This item is part of an assembly. This item cannot be sold separately due to machining and /or assembly that is required.

