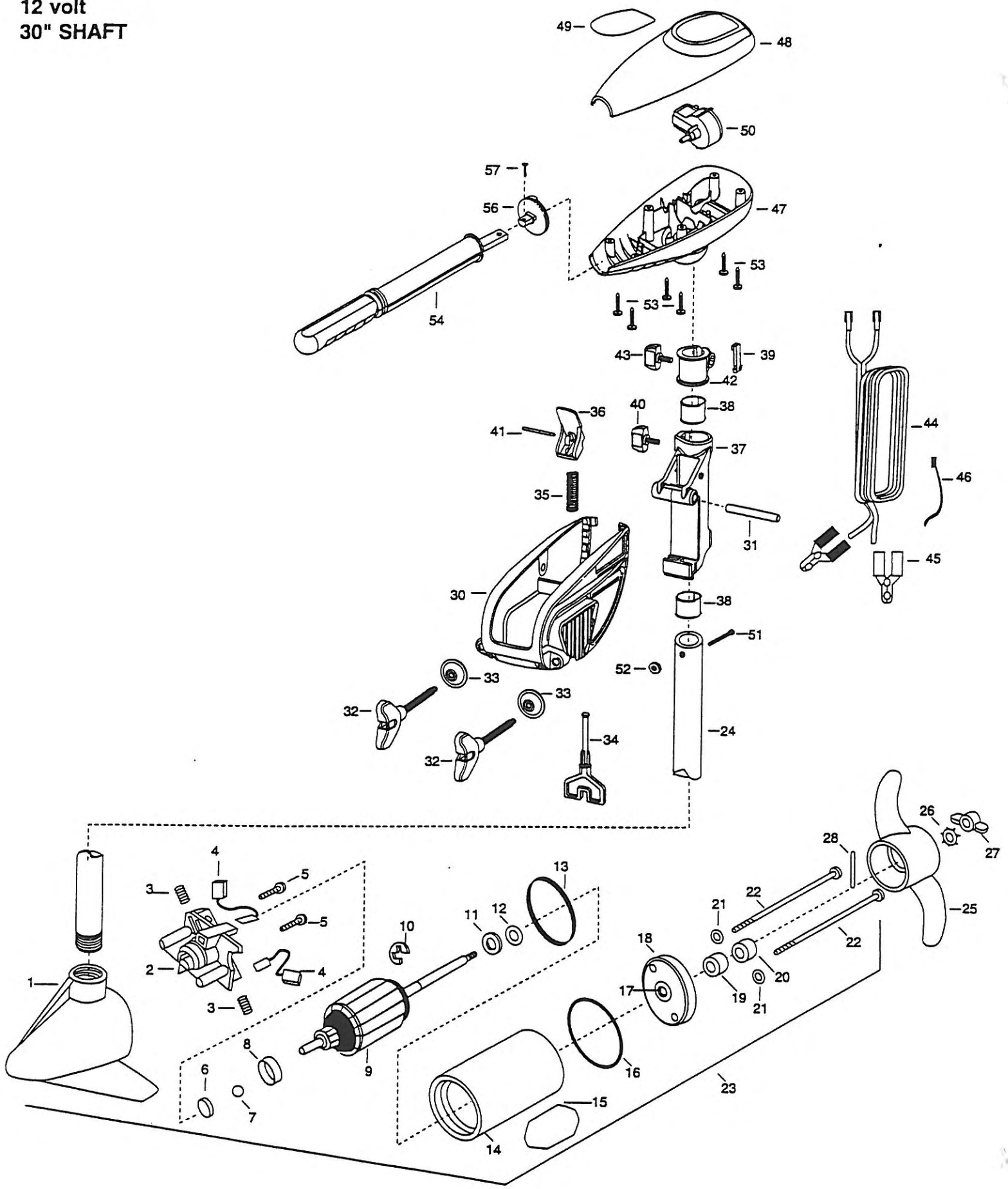


30 lbs Thrust
12 volt
30" SHAFT



JWA MACHINE, 706 Lane, Mankato, Minnesota 56001. In Canada, parts may be ordered from any Canadian Authorized Service Centers shown on the enclosed list. Be sure to provide MODEL and SERIAL numbers of your motor when ordering parts. Please use the correct part numbers from the parts list. Payment for any parts ordered from the MINN KOTA parts department, may be by cash, personal check, Discover Card MasterCard or VISA. To order, call 1-800-227-6433 or FAX 1-800-527-4464.

Para de los Estados Unidos, consultar la lista anexa para ubicar el Centro de servicio autorizado MINN KOTA. No dejar de incluir el número del MODELO y el número de SERIE del motor para el cual se solicitan las piezas. Usar siempre los números de pieza correctos indicados en la lista de piezas.

En les États-Unis, voir la liste ci-jointe pour le Centre de Service Agréé MINN KOTA le plus proche. Lors d'une commande, ne pas oublier de fournir le numéro de modèle et le numéro de série du moteur. Toujours mentionner le numéro de pièce exact figurant sur la liste des pièces de rechange.

Fora da América do Norte, queira consultar a lista anexa para identificar o Centro de Serviço Autorizado MINN KOTA. Não deixe de incluir o número do MODELO e o número de SÉRIE do motor ao pedir peças. Sempre use os números corretos das peças da lista de peças.

- | | | | | | |
|-----|---------|---|----|---------|----------------------------|
| 1 | 403025 | BRUSH END HOUSING W/POTTED COIL | 34 | 2063605 | T-BAR, PLASTIC |
| 2 | 406405 | BRUSH PLATE ASSEMBLY | 35 | 2062706 | SPRING- (T-BAR) |
| 3 | 406081 | BRUSH SPRING (2 REQ'D) | 36 | 2067200 | LEVER-TILT (RED) |
| 4 | 406072 | BRUSH ASSEMBLY (2 REQ'D) | 37 | 2061810 | HINGE-PLASTIC |
| 5 | 406341 | BRUSH PLATE SCREW (2 REQ'D) | 38 | 2037300 | BUSHING-HINGE (2 REQ'D) |
| 6 | 403050 | THRUST DISK | 39 | 2032800 | TENSION BLOCK-SNAP IN |
| 7 | 403010 | THRUST BALL | 40 | 2061310 | SCREW, TENSION/KNOB |
| 8 | 406090 | BRUSH HOLDER | 41 | 2060515 | PIN, TILT LEVER |
| 9 | 403207 | ARMATURE ASSEMBLY | 42 | 2061520 | COLLAR-DEPTH |
| 10 | 405300 | E-RING | 43 | 2011365 | SCREW-COLLAR/NEW KNOB |
| 11 | 406170 | THRUST WASHER- STEEL (AS REQ'D) | 44 | 2020600 | LEADWIRE (14 GA) CLIPS |
| 12 | 405171 | THRUST WASHER- NYLON (AS REQ'D) | 45 | 2020721 | CLAMP, ELECTRIC (2 REQ'D) |
| 13 | 403460 | O-RING | 46 | 2256300 | TIE WRAP 5.5 BLACK |
| 14 | 403257 | CENTER SECTION W/MAGNETS | 47 | 2062510 | CONTROL BOX |
| 15 | 2006609 | DECAL MOTOR | 48 | 2060209 | CONTROL BOX COVER |
| 16 | 406460 | O-RING | 49 | 2065532 | DECAL COVER ENDURA |
| 17 | 406600 | FLANGE BEARING (SERVICE ONLY) | 50 | 2064023 | SWITCH-FWD/REV 5 SP |
| 18 | 403033 | PLAIN END HOUSING | 51 | 2033400 | SCREW-10-24 X 1-3/4 |
| 19 | 406461 | SEAL | 52 | 2013110 | NUT-10-24 HEX |
| 20 | 406471 | SEAL- CUP | 53 | 2012100 | SCREW-8-18 X 5/8 (6 REQ'D) |
| 21 | 401462 | O-RING —THRU BOLT (2 REQ'D) | 54 | 2990901 | HANDLE ASSEMBLY 5 SPEED |
| 22 | 403354 | THRU BOLT (2 REQ'D) | 56 | 2060405 | PIVOT, HANDLE |
| 23 | 2069060 | MOTOR ASSEMBLY | 57 | 2012102 | SCREW |
| 24 | 2032045 | TUBE, COMPOSITE 30" | | | |
| 25 | 2061125 | PROP (WEEDLESS WEDGE) | | | |
| 26 | 2051700 | LOCKWASHER-PROP (MEDIUM) | | | |
| 27 | 2053100 | NUT-PROP (MEDIUM) | | | |
| 28 | 2092600 | PIN-DRIVE | | | |
| 29 | 2771810 | BRACKET & HINGE ASSY (INCLUDES- 29A—41) | | | |
| 29A | 2771910 | BRACKET & HINGE ASSY (INCLUDES- 30,32,33) | | | |
| *30 | 2061910 | BRACKET-ORDER 29A | | | |
| 31 | 2060510 | PIN-HINGE | | | |
| *32 | 2061300 | SCREW-CLAMP (2 REQ'D) | | | |
| *33 | 2011710 | WASHER-CLAMP SCREW (2 REQ'D) | | | |

* This item is part of an assembly. This item cannot be sold separately due to machining and /or assembly that is required.

