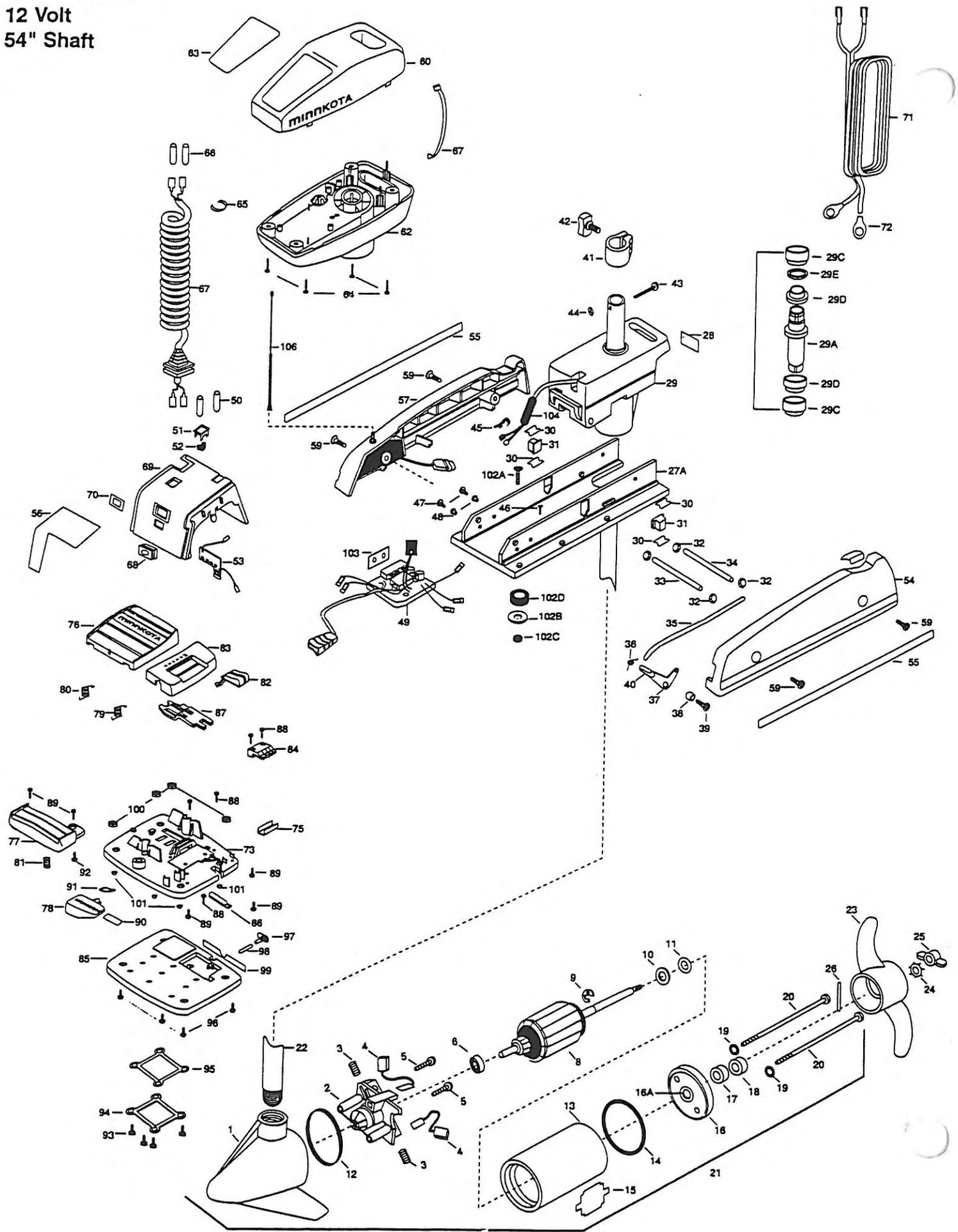


42PD/C
42 lbs.Thrust
12 Volt
54" Shaft



JWA MARINE, 700... Lane, Mankato, Minnesota 56001. In Canada, parts may be ordered from any Canadian Authorized Service Centers shown on the enclosed list. Be sure to provide MODEL and SERIAL numbers of your motor when ordering parts. Please use the correct part numbers from the parts list. Payment for any parts ordered from the MINN KOTA parts department, may be by cash, personal check, Discover Card MasterCard or VISA. To order, call 1-800-227-8433 or FAX 1-800-527-4464.

fuera de los Estados Unidos, consultar la lista anexa para ubicar el Centro de servicio autorizado MINN KOTA. No dejar de incluir el número del MODELO y el número de SERIE del motor para el cual se solicitan las piezas. Usar siempre los números de pieza correctos indicados en la lista de piezas.

Mors de Etats-Unis, voir la liste ci-jointe pour le Centre de Service Agréé MINN KOTA le plus proche. Lors d'une commande, ne pas oublier de fournir le numéro de modèle et le numéro de série du moteur. Toujours mentionner le numéro de pièce exact figurant sur la liste des pièces de rechange.

Fora da América do Norte, consultar a lista anexa para identificar o Centro de Serviço Autorizado MINN KOTA. Não deixe de incluir o número do MODELO e o número de SÉRIE do seu motor ao pedir peças. Sempre use os números corretos das peças da lista de peças.

1	409023	BRUSH END HOUSING	36	2302700	SPRING-RELEASE LEVER S/S	79	2302730	SPRING-LONG-UPPER PEDAL
2	406403	BRUSH PLATE ASSEMBLY	37	2303710	LEVER-RELEASE	80	2302731	SPRING-SHORT-UPPER PEDAL
3	406082	BRUSH SPRING (2 REQ'D)	38	2301700	SPACER-RELEASE LEVER	81	2302732	SPRING-LOWER PEDAL SS
4	406071	BRUSH ASSEMBLY (2 REQ'D)	39	2303430	SCREW-1/4-20 x 5/8-SELFTAP	82	2300120	KNOB-SPEED SELECTOR
5	406342	BRUSH PLATE SCREW (2 REQ'D)	40	2300101	RELEASE-KNOB	83	2300122	HOUSING-SPEED SELECTOR
6	406010	BALL BEARING	41	2031521	COLLAR DRIVE (W/INSERT)	84	2302840	ACTUATOR-BOARD
8	406208	ARMATURE ASSEMBLY	42	2011365	SCREW-COLLAR KNOB	85	2994707	WEDGE ASSEMBLY
9	405300	E-RING	43	2033400	SCREW-10-24 x 1-3/4	86	2302841	ACTUATOR-MOM/CON
10	406170	THRUST WASHER- STEEL (AS REQ'D)	44	2013110	NUT-HEX	87	2302842	ACTUATOR-STEERING
11	405171	THRUST WASHER- NYLON (AS REQ'D)	45	2302935	STRAIN RELIEF-DR. HOUSING	88	2302100	SCREW-6-20 X 1/2 (5 REQ'D)
12	406490	GASKET	46	2332100	SCREW-8-32 x 3/8	89	2372100	SCREW-8-18 X 5/8 SS (5 REQ'D)
13	409259	CENTER SECTION W/MAGNETS	47	2332101	SCREW-8-32 x 1/2 SS (2 REQ'D)	90	2266610	DECAL ON/OFF SWITCH
14	406470	O-RING	48	2301710	WASHER-INSUL. TRANSF. BAR (2 REQ'D)	91	2301740	WAVE WASHER
15	2006609	DECAL-MOTOR	49	2304024	CTRL BRD ASSY-12V PD/C INCLUDES 51, 52	92	2335130	BUMPER ACTUATOR
16	406033	PLAIN END HOUSING	50	2305400	SHRINK TUBE-3/8 OD (4 REQ'D)	93	2373432	SCREW-#10 5/8 SS (4 REQ'D)
16A	406600	FLANGE BEARING	51	2304072	BEZEL-SWITCH	94	2300250	COVER-BATTERY COMPARTMENT
17	406461	SEAL	52	2304073	SWITCH-ROCKER	95	2304602	GASKET-BATTERY COMPARTMENT
18	406471	SEAL- CUP	53	2034037	BATTERY METER-ELECT.12 V	96	2303426	SCREW- 1/4-20 X 7/8 (4 REQ'D)
19	405462	O-RING —THRU BOLT (2 REQ'D)	54	2993806	SIDEPLATE (LEFT) W/REST PAD	97	2304080	SWITCH-RF FOOT PEDAL
20	406353	THRU BOLT (2 REQ'D)	55	2305560	DECAL- SIDEPLATE GOLD (2 REQ'D)	98	2992400	MAGNET SWITCH TREATED ASSEMBLY
21	2099064	MOTOR ASSEMBLY 42PD/C-54"	56	2305614	DECAL-ON/OFF	99	2306622	DECAL-OFF/ON -FT PDL
22	2032055	TUBE (COMPOSITE) 54"	57	2303927	SIDEPLATE-W/RCVR-P/D	100	9950354	HEX NUT- 1/4-20 (4 REQ'D)
23	2091150	PROPELLER (W.WEDGE) 42PD/C	59	2303430	SCREW-1/4-20 x 5/8-SELFTAP (4 REQ'D)	101	2305131	RUBBER BUMPER (4 REQ'D)
24	2051700	LOCKWASHER-PROP	60	2300215	COVER-CONTROL BOX	102	2994803	BAG ASSEMBLY (ITEMS 101A-101D)
25	2053100	NUT-PROP	62	2302512	CONTROL BOX	*102A	2153501	BOLT-MOUNTING W/STGD (4 REQ'D)
26	2092600	PIN-DRIVE SS	63	2315632	DECAL-COVER	*102B	2151726	WASHER-STANDARD 5/16 SS (4 REQ'D)
*27	2991933	BASE ASSEMBLY	64	2012100	SCREW-8-18 x 5/8 THD CUT (4 REQ'D)	*102C	2153100	NUT-MOUNTING (4 REQ'D)
27A	2301912	BASE MACHINED	65	2303001	RING-PIG	*102D	2301720	WASHER-MOUNTING-RUBBER (6 REQ'D)
28	2305519	DECAL-STEERING MTR	66	2065400	WIRE INSULATOR-LGE 1-3/4 (2 REQ'D)	103	2305141	INSULATION PAD
29	2301842	DRIVE HOUSING	67	2301231	COIL CORD-W/STRAIN RELIEF 42PD/C -54"	*104	2304079	RF FILTER
29A	2302001	DRIVE HOUSING SLEEVE	68	2302920	GROMMET-LEADWIRE/SP.COVER	105	2994828	BAG ASSEMBLY (ANTENNA)
29B	2887300	BUSHING KIT (29C,29D,29E)	69	2306541	COVER-SPEED CONTROL	*106	2005115	RF ANTENNA
*29C	2307302	BUSHING- INSIDE (2 REQ'D)	70	2306607	DECAL- BATTERY GAUGE			
*29D	2307303	BUSHING- OUTSIDE (2 REQ'D)	71	2090601	LEADWIRE (10 GA) RINGS			
*29E	2304600	O-RING	72	2020700	REPLACEMENT RING TERMINAL			
30	2305110	PAD-PIVOT SUPPORT (4 REQ'D)	73	2994708	FT PDL ASSY. W/WEDGE (ITEMS 73A-100)			
31	2305101	PAD-PIVOT (2 REQ'D)	73A	2304511	FOOT PEDAL BASE-CORDLESS			
32	2013100	NUT-SPEED (4 REQ'D)	75	2308500	WEAR PLATE- FOOT PEDAL			
33	2300500	PIN-LATCH (PD BASE)	76	2304516	FOOT PEDAL-UPPER			
34	2300510	PIN-PIVOT (PD BASE)	77	2304520	FOOT PEDAL-LOWER			
35	2303610	ROD-RELEASE	78	2307210	LEVER MOM/CON			

* This item is part of an assembly. This item cannot be sold separately due to machining and /or assembly that is required.

42PD/C

1999 Powerdrive Corded Series WIRING DIAGRAM

36PD/C & 42PD/C

