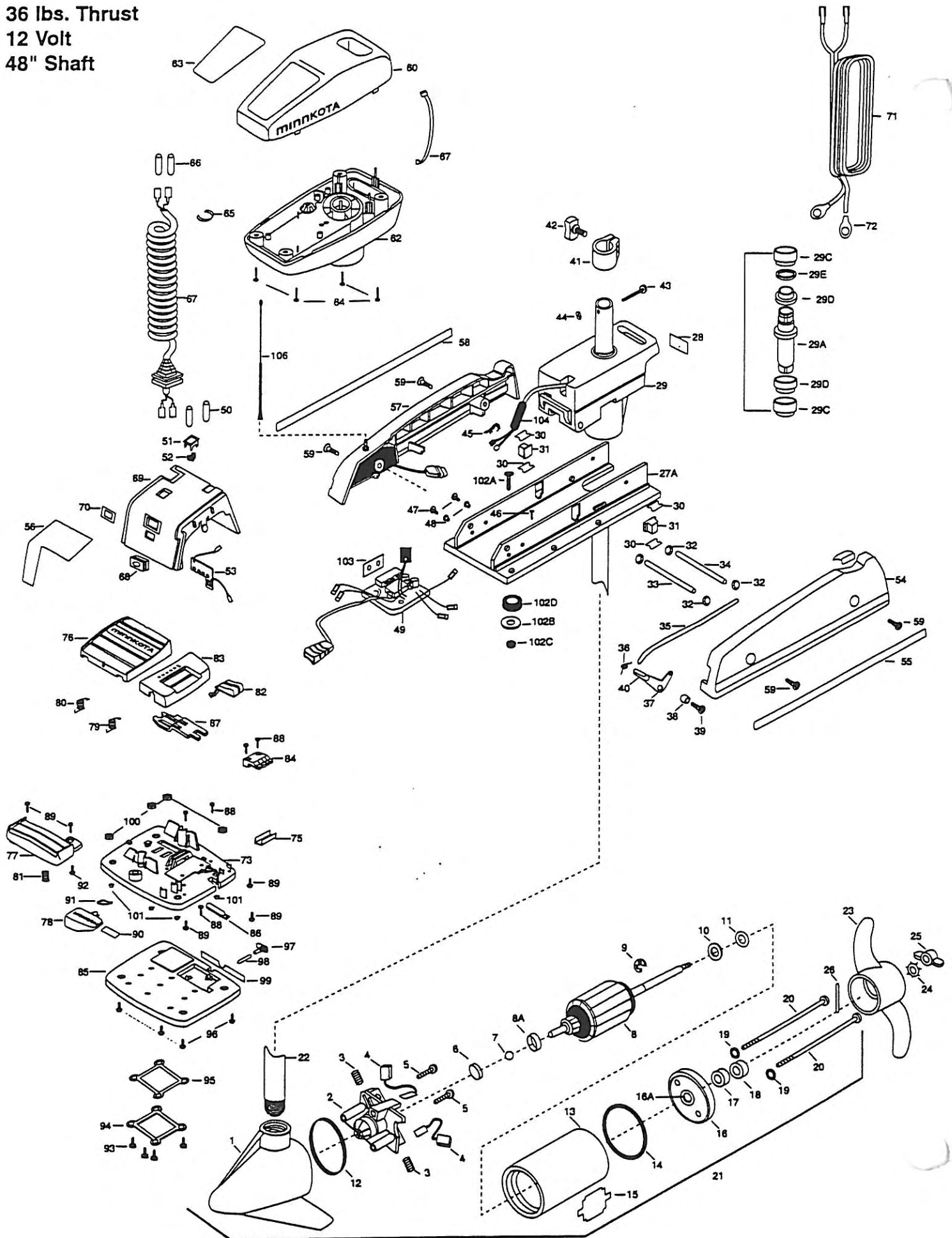


36PD/C
36 lbs. Thrust
12 Volt
48" Shaft



ordered from any of the Canadian Authorized Service Centers shown on the enclosed list. Be sure to provide the MODEL and SERIAL numbers of your motor when ordering parts. Please use the correct part numbers from the parts list. Payment for any parts ordered from the MINN KOTA parts department, may be by cash, personal check, Discover Card MasterCard or VISA. To order, call 1-800-227-6433 or FAX 1-800-527-4464.

lista anexa para ubicar el Centro de servicio autorizado MINN KOTA. No dejar de incluir el número del MODELO y el número de SERIE del motor para el cual se solicitan las piezas. Usar siempre los números de pieza correctos indicados en la lista de piezas.

pour le Centre de Service Agréé MINN KOTA le plus proche. Lors d'une commande, ne pas oublier de fournir le numéro de modèle et le numéro de série du moteur. Toujours mentionner le numéro de pièce exact figurant sur la liste des pièces de

para a lista anexa para identificar o Centro de Serviço Autorizado MINN KOTA. Não deixe de incluir o número do MODELO e o número de SÉRIE do seu motor ao pedir peças. Sempre use os números corretos das peças da lista de peças.

1	406029	BRUSH END HOUSING	34	2300510	PIN-PIVOT (PD BASE)	76	2304516	FOOT PEDAL-UPPER
2	406405	BRUSH PLATE ASSEMBLY	35	2303610	ROD-RELEASE	77	2304520	FOOT PEDAL-LOWER
3	406081	BRUSH SPRING (2 REQ'D)	36	2302700	SPRING-RELEASE LEVER S/S	78	2307210	LEVER MOM/CON
4	406072	BRUSH ASSEMBLY (2 REQ'D)	37	2303710	LEVER-RELEASE	79	2302730	SPRING-LONG-UPPER PEDAL
5	406341	BRUSH PLATE SCREW (2 REQ'D)	38	2301700	SPACER-RELEASE LEVER	80	2302731	SPRING-SHORT-UPPER PEDAL
6	403050	THRUST DISC	39	2303430	SCREW-1/4-20 x 5/8-SELFTAP	81	2302732	SPRING-LOWER PEDAL SS
7	403010	BALL-STEEL	40	2300101	RELEASE-KNOB	82	2300120	KNOB-SPEED SELECTOR
8	405205	ARMATURE ASSEMBLY	41	2031521	COLLAR DRIVE (W/INSERT)	83	2300122	HOUSING-SPEED SELECTOR
8A	406090	BRUSH HOLDER	42	2011365	SCREW-COLLAR KNOB	84	2302840	ACTUATOR-BOARD
9	405300	E-RING	43	2033400	SCREW-10-24 x 1-3/4	85	2994707	WEDGE ASSEMBLY
10	406170	THRUST WASHER- STEEL (AS REQ'D)	44	2013110	NUT-HEX	86	2302841	ACTUATOR-MOM/CON
11	405171	THRUST WASHER- NYLON (AS REQ'D)	45	2302935	STRAIN RELIEF-DR. HOUSING	87	2302842	ACTUATOR-STEERING
12	403460	O-RING	46	2332100	SCREW-8-32 x 3/8	88	2302100	SCREW-6-20 X 1/2 (5 REQ'D)
13	405259	CENTER SECTION W/MAGNETS	47	2332101	SCREW-8-32 x 1/2 SS (2 REQ'D)	89	2372100	SCREW-8-18 X 5/8 SS (5 REQ'D)
14	406460	O-RING	48	2301710	WASHER-INSUL. TRANSF. BAR (2 REQ'D)	90	2266610	DECAL ON/OFF SWITCH
15	2006609	DECAL-MOTOR	49	2304024	CTRL BRD ASSY-12V PD/C INCLUDES 51,52	91	2301740	WAVE WASHER
16	406035	PLAIN END HOUSING	50	2305400	SHRINK TUBE-3/8 OD (4 REQ'D)	92	2335130	BUMPER ACTUATOR
16A	406600	FLANGE BEARING (SERVICE ONLY)	51	2304072	BEZEL-SWITCH	93	2373432	SCREW-#10 5/8 SS (4 REQ'D)
17	406461	SEAL	52	2304073	SWITCH-ROCKER	94	2300250	COVER-BATTERY COMPARTMENT
18	406471	SEAL- CUP	53	2034037	BATTERY METER-ELECT.12 V	95	2304602	GASKET-BATTERY COMPARTMENT
19	401462	O-RING —THRU BOLT (2 REQ'D)	54	2993801	SIDEPLATE (LEFT) W/REST PAD	96	2303426	SCREW- 1/4-20 (4 REQ'D)
20	405352	THRU BOLT (2 REQ'D)	55	2004927	DECAL-LF SIDEPLATE	97	2304080	SWITCH-RF FOOT PEDAL
21	2069043	MOTOR ASSEMBLY	56	2305616	DECAL-ON/OFF	98	2304081	MAGNET-SWITCH
22	2032054	TUBE (COMPOSITE) 48"	57	2303927	SIDEPLATE-W/RCVR-P/D	99	2306622	DECAL-OFF/ON-FT PDL
23	2061125	PROPELLER (W.WEDGE)	58	2004926	DECAL-RT SIDEPLATE	100	9950354	HEX NUT- 1/4-20 (4 REQ'D)
24	2051700	LOCKWASHER-PROP	59	2303430	SCREW-1/4-20 x 5/8-SELFTAP (4 REQ'D)	101	2305131	RUBBER BUMPER (4 REQ'D)
25	2053100	NUT-PROP	60	2300201	COVER-CONTROL BOX RED	102	2994803	BAG ASSEMBLY (ITEMS 101A-101D)
26	2092600	PIN-DRIVE SS	62	2302512	CONTROL BOX	*102A	2153501	BOLT-MOUNTING W/STGD (4 REQ'D)
*27	2991933	BASE ASSEMBLY	63	2315625	DECAL-COVER	*102B	2151726	WASHER-STANDARD 5/16 SS (4 REQ'D)
27A	2301912	BASE MACHINED	64	2012100	SCREW-8-18 x 5/8 THD CUT (4 REQ'D)	*102C	2153100	NUT-MOUNTING (4 REQ'D)
28	2305519	DECAL-STEERING MTR	65	2303000	RING-PIG 36PD/C	*102D	2301720	WASHER-MOUNTING-RUBBER (6 REQ'D)
29	2301842	DRIVE HOUSING	66	2065400	WIRE INSULATOR-LGE 1-3/4 (2 REQ'D)	103	2305141	INSULATION PAD
29A	2302001	DRIVE HOUSING SLEEVE	67	2301211	COIL CORD-W/STRAIN RELIEF	*104	2304079	RF FILTER
29B	2887300	BUSHING KIT (29C,29D,29E)	68	2302920	GROMMET-LEADWIRE/SP.COVER	105	2994828	BAG ASSEMBLY (ANTENNA)
*29C	2307302	BUSHING- INSIDE (2 REQ'D)	69	2306541	COVER-SPEED CONTROL	*106	2005115	RF ANTENNA
*29D	2307303	BUSHING- OUTSIDE (2 REQ'D)	70	2306607	DECAL- BATTERY GAUGE			
*29E	2304600	O-RING	71	2090601	LEADWIRE (10 GA) RINGS			
30	2305110	PAD-PIVOT SUPPORT (4 REQ'D)	72	2020700	REPLACEMENT RING TERMINAL			
31	2305101	PAD-PIVOT (2 REQ'D)	73	2994708	FT PEDAL ASSY. W/WEDGE (ITEMS 73A-100)			
32	2013100	NUT-SPEED (4 REQ'D)	73A	2304511	FOOT PEDAL BASE-CORDLESS			
33	2300500	PIN-LATCH (PD BASE)	75	2308500	WEAR PLATE- FOOT PEDAL			

36PD/C

* This item is part of an assembly. This item cannot be sold separately due to machining and /or assembly that is required.

1999 Powerdrive Corded Series WIRING DIAGRAM

36PD/C & 42PD/C

