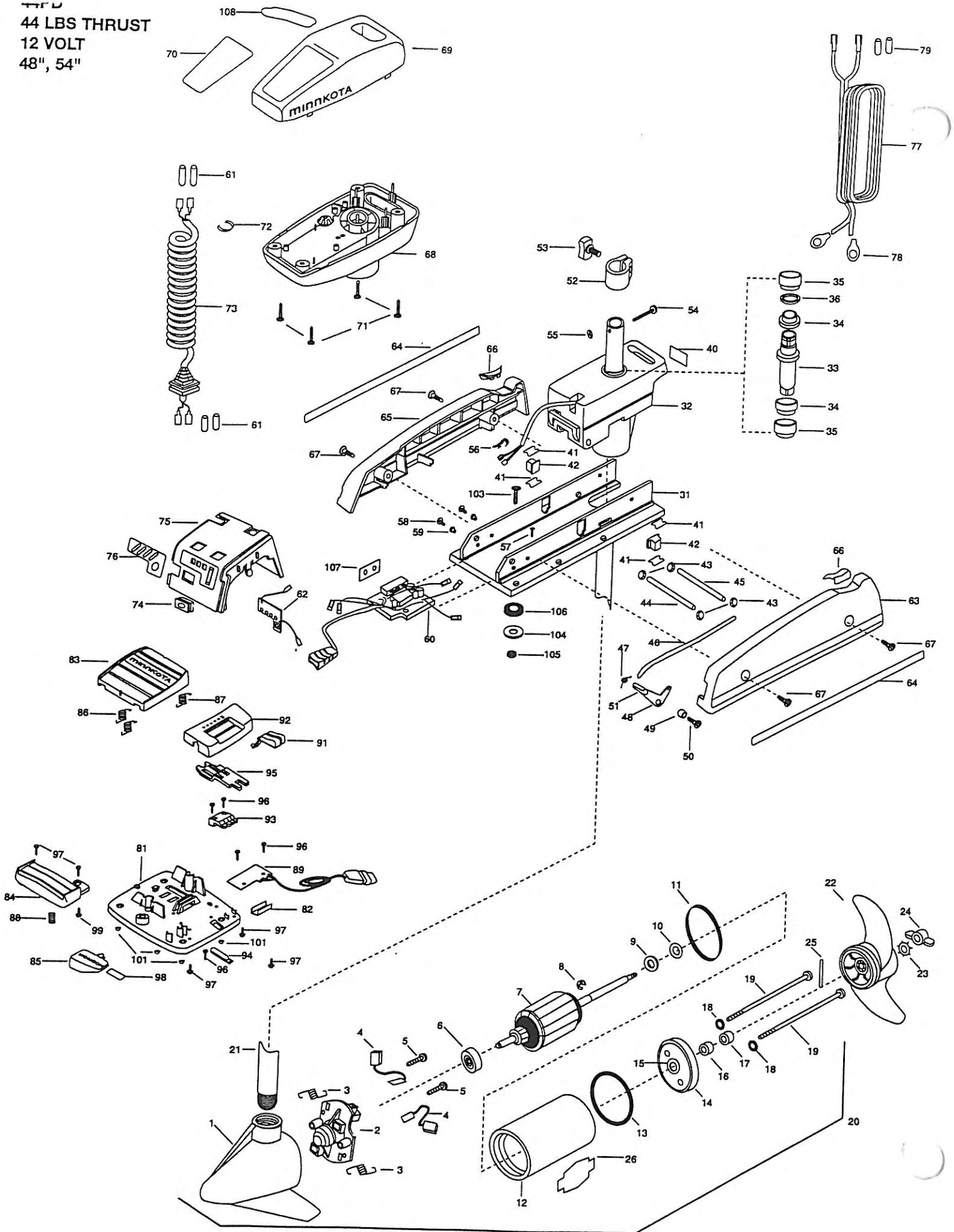


44 LBS THRUST
12 VOLT
48", 54"



replacement parts may be ordered directly from MINN KOTA Parts Dept.,
 JWA MARINE, 7011 1/2 Lane, Mankato, Minnesota 56001. In Canada, parts may be
 ordered from any Canadian Authorized Service Centers shown on the enclosed list.
 Be sure to provide MODEL and SERIAL numbers of your motor when ordering parts.
 Please use the correct part numbers from the parts list. Payment for any parts ordered
 from the MINN KOTA parts department, may be by cash, personal check, Discover Card
 MasterCard or VISA. To order, call 1-800-227-6433 or FAX 1-800-527-4464.

Fuera de los Estados Unidos, consultar la lista
 anexa para ubicar el Centro de servicio autor-
 izado MINN KOTA. No dejar de incluir el
 número del MODELO y el número de SERIE
 del motor para el cual se solicitan las piezas.
 Usar siempre los números de pieza correctos
 indicados en la lista de piezas.

Hors de États-Unis, voir la liste ci-jointe pour
 le Centre de Service Agréé MINN KOTA le
 plus proche. Lors d'une commande, ne pas
 oublier de fournir le numéro de modèle et le
 numéro de série du moteur. Toujours men-
 tionner le numéro de pièce exact figurant sur
 la liste des pièces de rechange.

Fora da América do N... ueira consultar
 a lista anexa para ide... o Centro de
 Serviço Autorizado MINN KOTA. Não deixe
 de incluir o número do MODELO e o
 número de SÉRIE do seu motor ao pedir
 peças. Sempre use os números corretos
 das peças da lista de peças.

1	409023	BRUSH END HOUSING	42	2305101	PAD-PIVOT (2 REQ'D)	79	2065400	WIRE INSULATOR-LARGE 1-3/4 (2 REQ'D)
2	406403	BRUSH PLATE ASSEMBLY	43	2013100	NUT-SPEED (4 REQ'D)	80	2774700	FOOT PEDAL ASSY- (INCLUDES ITEMS 81-99)
3	406082	BRUSH SPRING (2 REQ'D)	44	2300500	PIN-LATCH	81	2304511	FOOT PEDAL-BASE
4	406071	BRUSH ASSEMBLY (2 REQ'D)	45	2300510	PIN-PIVOT	82	2308500	WEAR PLATE
5	406342	BRUSH PLATE SCREW (2 REQ'D)	46	2303610	ROD-RELEASE	83	2304516	FOOT PEDAL-UPPER
6	406010	BALL BEARING	47	2302700	SPRING-RELEASE LEVER	84	2304520	FOOT PEDAL-LOWER
7	406208	ARMATURE ASSEMBLY	48	2303710	LEVER-RELEASE	85	2307210	LEVER MOM/CON
8	405300	E-RING	49	2301700	SPACER-RELEASE LEVER	86	2302730	SPRING-LONG-UPPER PEDAL (2 REQ'D)
9	406170	THRUST WASHER- STEEL (AS REQ'D)	50	2303430	SCREW- 1/4-20 X 5/8	87	2302731	SPRING-SHORT-UPPER PEDAL
10	405171	THRUST WASHER- NYLON (AS REQ'D)	51	2300101	RELEASE-KNOB	88	2302732	SPRING-LOWER PEDAL
11	406490	GASKET	52	2031521	COLLAR- DRIVE W/INSERT	89	2304012	CNTRL BRD ASSEMBLY FP W/CORD
12	409259	CENTER SECTION W/MAGNETS	53	2011365	SCREW-COLLAR W/KNOB	91	2300120	KNOB-SPEED SELECTOR
13	406470	O-RING	54	2033400	SCREW-10-24 X 1-3/4	92	2300121	HOUSING-SPEED SELECTOR
14	406033	PLAIN END HOUSING	55	2013110	NUT-HEX	93	2302840	ACTUATOR-BOARD
15	406600	FLANGE BEARING	56	2302935	STRAIN RELIEF-DRIVE HOUSING	94	2302841	ACTUATOR-MOM/CON
16	406461	SEAL	57	2332100	SCREW-8-32 X 3/8	95	2302842	ACTUATOR-STEERING
17	406471	SEAL- W/CUP	58	2332101	SCREW-8-32 X 1/2 (2 REQ'D)	96	2302100	SCREW-6-20 X 1/2 (5 REQ'D)
18	405462	O-RING -THRU BOLT (2 REQ'D)	59	2301710	WASHER-INSUL. TRANSFER BAR (2 REQ'D)	97	2372100	SCREW-8-18 X 5/8 (5 REQ'D)
19	406353	THRU BOLT (2 REQ'D)	60	2304014	CNTRL BOARD ASSEMBLY (INCLUDES 107)	98	2266610	DECAL-ON / OFF SWITCH
20	2099063	MOTOR ASSEMBLY	61	2305400	SHRINK TUBE-3/8 OD (4 REQ'D)	99	2335130	BUMPER- ACTUATOR
21	2032054	TUBE 48"	62	2034037	BATTERY METER- ELECTRIC 12V	100	2994807	BAG ASSEMBLY- (RUBBER BUMPERS)
22	2091150	PROPELLER	63	2993806	SIDEPLATE (LEFT) W/REST PAD	*101	2305131	RUBBER BUMPER (4 REQ'D)
23	2051700	LOCKWASHER	64	2305545	DECAL SIDEPLATE (2 REQ'D)	102	2994803	BAG ASSY- (BOLTS, NUTS, WASHERS)
24	2053100	NUT -PROP	65	2993906	SIDEPLATE (RIGHT) W/REST PAD	*103	2153501	BOLT-MOUNTING- STGD (4 REQ'D)
25	2092600	PIN -DRIVE	66	2305150	REST PAD	*104	2151726	WASHER-STANDARD 5/16 (4 REQ'D)
26	2006609	DECAL-MOTOR	67	2303430	SCREW-1/4-20 X 5/8 (4 REQ'D)	*105	2153100	NUT-MOUNTING (4 REQ'D)
*31	2991935	BASE ASSEMBLY	68	2302512	CONTROL BOX	*106	2301720	WASHER-MOUNTING RUBBER (6 REQ'D)
32	2301834	DRIVE HOUSING	69	2300201	CONTROL BOX COVER	*107	2305141	INSULATING PAD
*33	2032010	DRIVE HOUSING SLEEVE	70	2315628	DECAL-COVER 44PD	108	2315650	DECAL- COVER PWRMAX/44PD/AT
*34	2307302	BUSHING- INSIDE (2 REQ'D) ORDER 37	71	2012100	SCREW-8-18 X 5/8 (4 REQ'D)			
*35	2307303	BUSHING- OUTSIDE (2 REQ'D) ORDER 37	72	2303006	PIG RING			
*36	2304600	O-RING ORDER 37	73	2301231	COIL CORD-W/STRAIN RELIEF			
37	2887301	BUSHING KIT (INCLUDES 34,35,36)	74	2302920	GROMMET-LEADWIRE			
38	2302221	DRIVE HOUSING GEAR	75	2306538	COVER-SPD CONTROL			
*39	2307040	DRIVE HOUSING MOTOR ASSEMBLY	76	2306607	DECAL BATTERY GAUGE			
40	2305519	DECAL-STEERING MOTOR	77	2090601	LEADWIRE 10GA 44" ASSEMBLY			
41	2305110	PAD-PIVOT SUPPORT (4 REQ'D)	78	2020700	RING TERMINAL (2 REQ'D)			

* This item is part of an assembly. This item cannot be sold separately due to machining and /or assembly that is required.

1999 Powerdrive Corded Series WIRING DIAGRAM

765, 40PD,
& 44PD, 50PD

