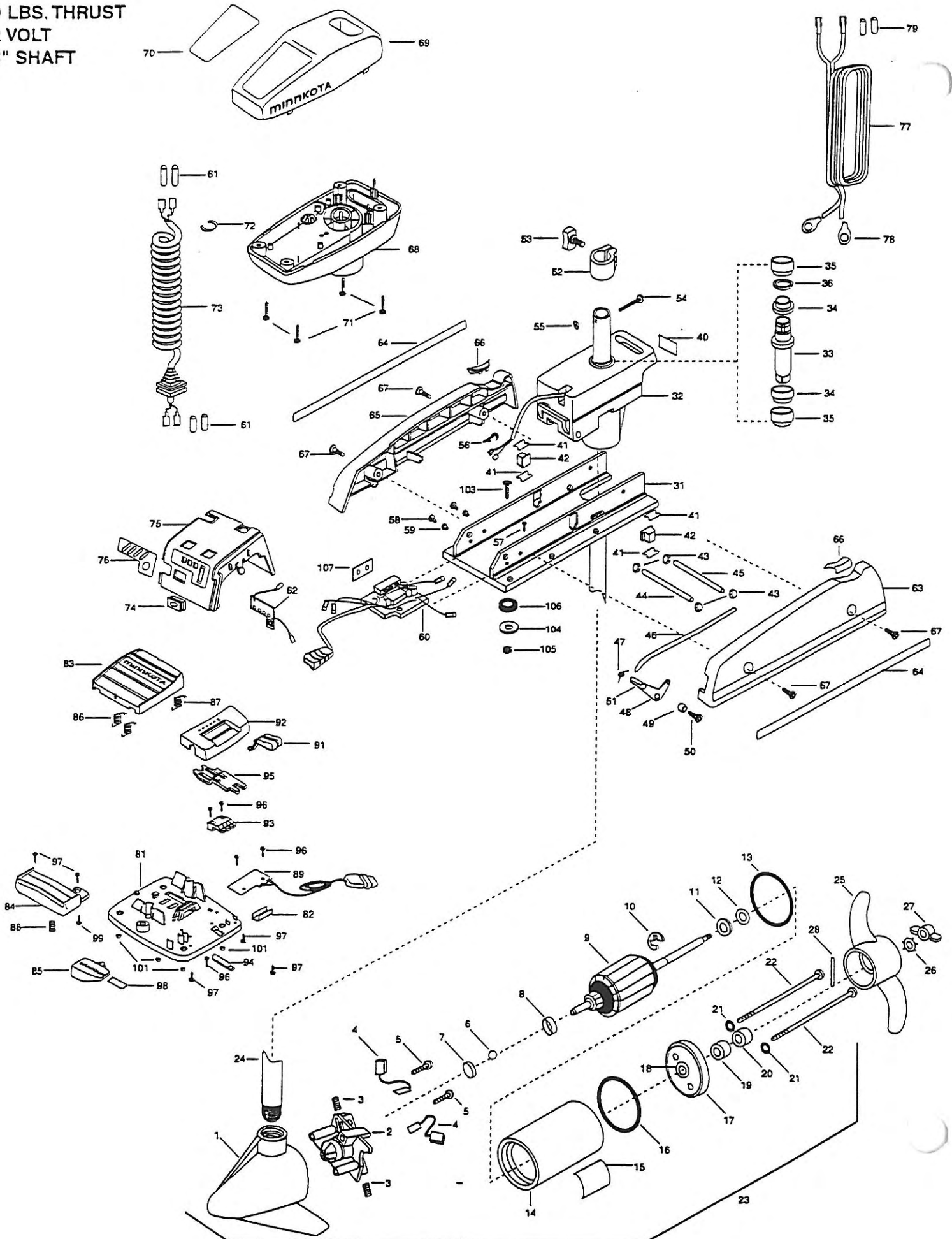


40PD
40 LBS. THRUST
12 VOLT
48" SHAFT



For parts, replacement parts may be ordered directly from MINN KOTA Parts Dept., JWA MARINE, 7000 Hwy Lane, Mankato, Minnesota 56001. In Canada, parts may be ordered from any Canadian Authorized Service Centers shown on the enclosed list. Be sure to provide MODEL and SERIAL numbers of your motor when ordering parts. Please use the correct part numbers from the parts list. Payment for any parts ordered from the MINN KOTA parts department, may be by cash, personal check, Discover Card MasterCard or VISA. To order, call 1-800-227-6433 or FAX 1-800-527-4464.

Fuera de los Estados Unidos, consultar la lista anexa para ubicar el Centro de servicio autorizado MINN KOTA. No dejar de incluir el número del MODELO y el número de SERIE del motor para el cual se solicitan las piezas. Usar siempre los números de pieza correctos indicados en la lista de piezas.

Hors de Etats-Unis, voir la liste ci-jointe pour le Centre de Service Agréé MINN KOTA le plus proche. Lors d'une commande, ne pas oublier de fournir le numéro de modèle et le numéro de série du moteur. Toujours mentionner le numéro de pièce exact figurant sur la liste des pièces de rechange.

Fora da América do Norte, queira consultar a lista anexa para localizar o Centro de Serviço Autorizado MINN KOTA. Não deixe de incluir o número do MODELO e o número de SÉRIE do seu motor ao pedir peças. Sempre use os números corretos das peças da lista de peças.

1	406029	BRUSH END HOUSING	38	2302221	DRIVE HOUSING GEAR	74	2302920	GROMMET-LEADWIRE
2	406405	BRUSH PLATE ASSEMBLY	*39	2307030	DRIVE HOUSING MOTOR ASSEMBLY	75	2306538	COVER-SPD CONTROL
3	406081	BRUSH SPRING (2 REQ'D)	40	2305519	DECAL - STEERING MOTOR	76	2306607	DECAL BATTERY GAUGE
4	406072	BRUSH ASSEMBLY (2 REQ'D)	41	2305110	PAD-PIVOT SUPPORT (4 REQ'D)	77	2090601	LEADWIRE 10GA 44" ASSEMBLY
5	406341	BRUSH PLATE SCREW (2 REQ'D)	42	2305101	PAD-PIVOT (2 REQ'D)	78	2020700	RING TERMINAL (2 REQ'D)
6	403010	BALL-STEEL	43	2013100	NUT-SPEED (4 REQ'D)	79	2065400	WIRE INSULATOR-LARGE 1-3/4 (2 REQ'D)
7	403050	THRUST DISC	44	2300500	PIN-LATCH	80	2994700	FOOT PEDAL ASSY- (INCLUDES ITEMS 81-99)
8	406090	BRUSH HOLDER	45	2300510	PIN-PIVOT	81	2304511	FOOT PEDAL-BASE
9	405205	ARMATURE ASSEMBLY	46	2303610	ROD-RELEASE	82	2308500	WEAR PLATE
10	405300	E-RING	47	2302700	SPRING-RELEASE LEVER	83	2304516	FOOT PEDAL-UPPER
11	406170	THRUST WASHER - STEEL	48	2303710	LEVER-RELEASE	84	2304520	FOOT PEDAL-LOWER
12	405171	THRUST WASHER - NYLATRON	49	2301700	SPACER-RELEASE LEVER	85	2307210	LEVER MOM/CON
13	403460	O-RING	50	2303430	SCREW- 1/4-20 X 5/8	86	2302730	SPRING-LONG-UPPER PEDAL (2 REQ'D)
14	405259	CENTER SECTION W/MAGNETS	51	2300101	RELEASE-KNOB	87	2302731	SPRING-SHORT-UPPER PEDAL
15	2006609	DECAL - MOTOR	52	2031521	COLLAR- DRIVE W/INSERT	88	2302732	SPRING-LOWER PEDAL
16	406460	O-RING	53	2011365	SCREW-COLLAR W/KNOB	89	2304012	CNTRL BRD ASSEMBLY FP (INCLUDES 90)
17	406035	PLAIN END HOUSING	54	2033400	SCREW-10-24 X 1-3/4	91	2300120	KNOB-SPEED SELECTOR
18	406600	FLANGE BEARING (SERVICE CENTER ONLY)	55	2013110	NUT-HEX	92	2300121	HOUSING-SPEED SELECTOR
19	406461	SEAL	56	2302935	STRAIN RELIEF-DRIVE HOUSING	93	2302840	ACTUATOR-BOARD
20	406471	SEAL - CUP	57	2332100	SCREW-8-32 X 3/8	94	2302841	ACTUATOR-MOM/CON
21	401462	O-RING - THRU BOLT (2 REQ'D)	58	2332101	SCREW-8-32 X 1/2 (2 REQ'D)	95	2302842	ACTUATOR-STEERING)
22	405352	THRU BOLT (2 REQ'D)	59	2301710	WASHER-INSUL. TRANSFER BAR (2 REQ'D)	96	2302100	SCREW-6-20 X 1/2 (5 REQ'D)
23	2069043	MOTOR ASSEMBLY	60	2304014	CNTRL BOARD ASSEMBLY (INCLUDES 107)	97	2372100	SCREW-8-18 X 5/8 (5 REQ'D)
24	2032054	TUBE 48"	61	2305400	SHRINK TUBE - 3/8 OD (4 REQ'D)	98	2266610	DECAL-ON / OFF SWITCH
25	2061125	PROPELLER (W. WEDGE)	62	2034037	BATTERY METER- ELECTRIC 12V	99	2335130	BUMPER- ACTUATOR
26	2051700	LOCKWASHER - PROP	63	2993806	SIDEPLATE (LEFT) W/REST PAD	100	2994807	BAG ASSEMBLY- (RUBBER BUMPERS)
27	2053100	NUT - PROP	64	2305560	DECAL SIDEPLATE (2 REQ'D)	*101	2305131	RUBBER BUMPER (4 REQ'D)
28	2092600	PIN - DRIVE	65	2993906	SIDEPLATE (RIGHT) W/REST PAD	102	2994803	BAG ASSY- (BOLTS, NUTS, WASHERS)
30	2991935	BASE ASSEMBLY	66	2305150	REST PAD	*103	2153501	BOLT-MOUNTING- STGD (4 REQ'D)
*31	2301912	BASE MACHINED	67	2303430	SCREW -1/4-20 X 5/8 (4 REQ'D)	*104	2151726	WASHER-STANDARD 5/16 (4 REQ'D)
32	2301834	DRIVE HOUSING	68	2302512	CONTROL BOX	*105	2153100	NUT-MOUNTING (4 REQ'D) (4 REQ'D)
33	2032001	DRIVE HOUSING SLEEVE	69	2300215	CONTROL BOX COVER	*106	2301720	WASHER-MOUNTING RUBBER (6 REQ'D)
*34	2307302	BUSHING - INSIDE (2 REQ'D) ORDER 37	70	2315626	DECAL-COVER 40PD	*107	2305141	INSULATING PAD
*35	2307303	BUSHING - OUTSIDE (2 REQ'D) ORDER 37	71	2012100	SCREW-8-18 X 5/8 (4 REQ'D)			
*36	2304600	O-RING ORDER 37	72	2303005	PIG RING			
37	2887301	BUSHING KIT (INCLUDES 34, 35, 36)	73	2301211	COIL CORD-W/ STRAIN RELIEF			

* This item is part of an assembly. This item cannot be sold separately due to machining and /or assembly that is required.

P/N 2304965 REV.C 12-98

1999 Powerdrive Corded Series WIRING DIAGRAM

765, 40PD,
& 44PD, 50PD

