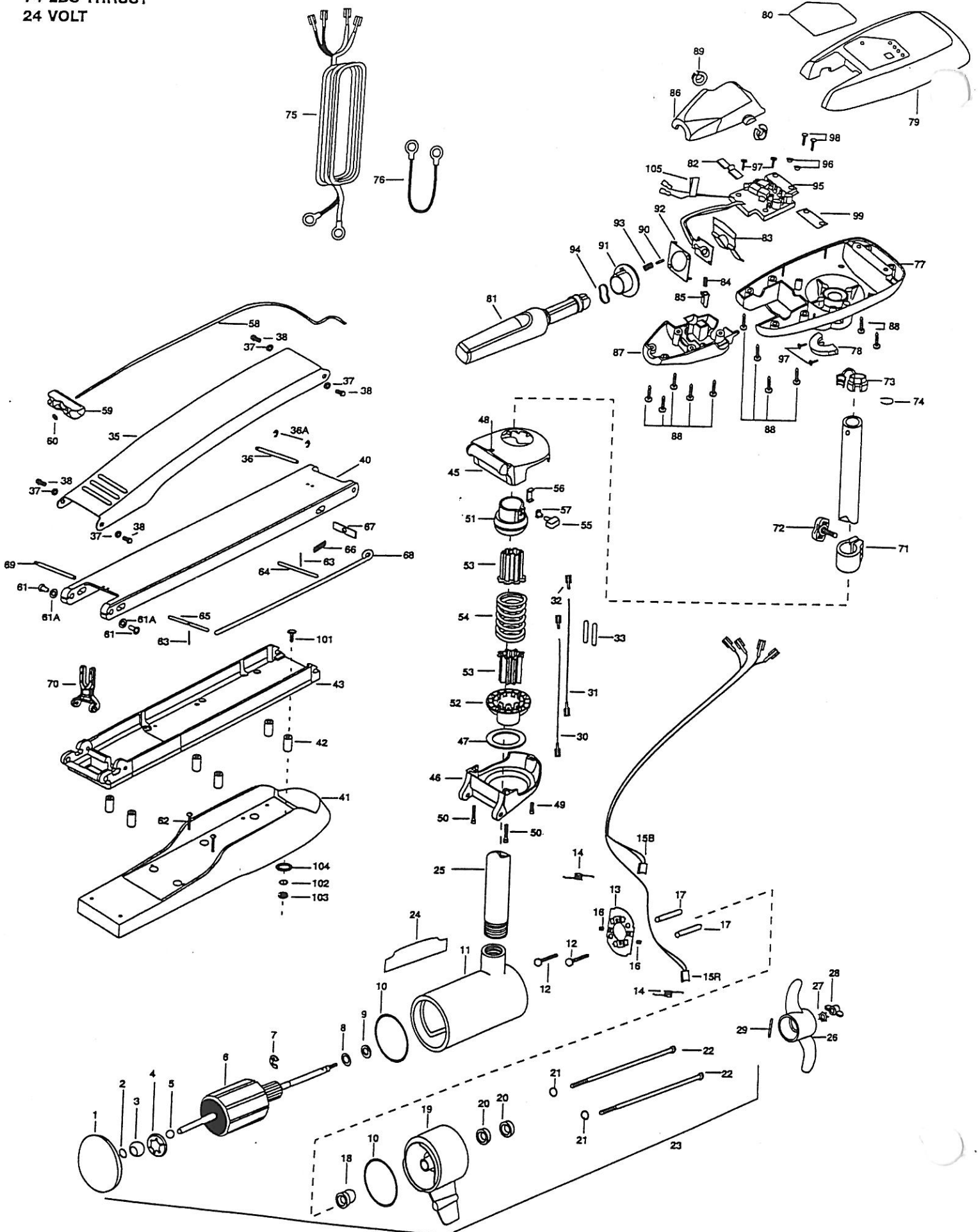


MAXXUM 74/H-52
74 LBS THRUST
24 VOLT



JWA MARINE, 706 Holly Lane, Mankato, Minnesota 56001. In Canada, parts may be ordered from any of the Canadian Authorized Service Centers shown on the enclosed list. Be sure to provide MODEL and SERIAL numbers of your motor when ordering parts. Please use the correct part numbers from the parts list. Payment for any parts ordered from the MINN KOTA parts department, may be by cash, personal check, Discover Card MasterCard or VISA. To order, call 1-800-227-6433 or FAX 1-800-527-4464.

Fuera de los Estados Unidos, consultar la lista anexa para ubicar el Centro de servicio autorizado MINN KOTA. No dejar de incluir el número del MODELO y el número de SERIE del motor para el cual se solicitan las piezas. Usar siempre los números de plaza correctos indicados en la lista de piezas.

Hors de États-Unis, voir la liste ci-jointe pour le Centre de Service Agréé MINN KOTA le plus proche. Lors d'une commande, ne pas oublier de fournir le numéro de modèle et le numéro de série du moteur. Toujours mentionner le numéro de pièce exact figurant sur la liste des pièces de rechange.

Fora da América do Norte, queira consultar a lista anexa para localizar o Centro de Serviço Autorizado MINN KOTA. Não deixe de incluir o número do MODELO e o número de SÉRIE do seu motor ao pedir peças. Sempre use os números corretos das peças da lista de peças.

1	409024	PLAIN ENDBELL					
2	406050	THRUST DISC	39	2771973	MOUNT- BOW ASSEMBLY (INCL. 35-43, AND 58-70)	75	2330600 LEADWIRE (10 GA-4) (RINGS)
3	409600	SPHERICAL BEARING				76	2340610 CONNECTOR CABLE-(12")
4	409301	BEARING RETAINER	40	2774311	LOWER ARM ASSEMBLY (INCL. 40, 58, 59, 60, 63, 64, 65, 66, 67, 68)	77	2062582 CONTROL BOX
5	405010	THRUST BALL- STEEL				78	2061510 COLLAR-CONTROL BOX
6	410203	ARMATURE ASSEMBLY	41	2263910	MOTOR REST ASSEMBLY	79	2990294 CONTROL BOX COVER/DECAL ASSMBLY
7	409300	E-RING	42	2261505	SPACER- MOTOR REST (6 REQ'D)	80	2265535 DECAL COVER, MAXXUM 74/H
8	409170	THRUST WASHER- STEEL (AS REQ'D)	43	2771962	BOW PLATE W/ INSERT	81	2990915 HANDLE ASSEMBLY W/O U-JOINT
9	409171	THRUST WASHER- NYLON (AS REQ'D)	44	2771934	BOWGUARD ASSMBLY W/INSRT (INCL. 45, 46, 47, 48, 49, 50, 51, 52, 53, 54, 55, 56, 57)	82	2302742 SPRING-DETENT OFF
10	409460	O-RING (2 REQ'D)	*45	2991992	BRACKET BASE-TOP W/INSERT	83	2302743 SPRING-DETENT, HANDLE-TILT
11	409257	CENTER SECTION W/MAGNETS	*46	2991993	BRACKET BASE BOTTOM W/BEARING	84	2302745 SPRING-RELEASE BUTTON
12	405341	BRUSH PLATE SCREW (2 REQ'D)	*47	2261531	BEARING- BOWGUARD	85	2303720 RELEASE BUTTON-HANDLE
13	409402	BRUSH PLATE ASSEMBLY	*48	2232351	EYELET-ROPE	86	2060411 HANDLE (TOP HALF)
14	406083	BRUSH SPRING (2 REQ'D)	*49	2263402	SCREW 1/4-20 X 3/4	87	2060415 HANDLE (LOWER HALF)
15B	409072	BRUSH ASSEMBLY- BLACK	*50	2263420	BOLT 1/4-20 X 2 (2 REQ'D)	88	2303412 SCREW-6-20 X 5/8 SELF TAP (11 REQ'D)
15R	409071	BRUSH ASSEMBLY-RED	*51	2261525	SPRING-SLEEVE UPPER	89	2060005 BEARING-HANDLE PIVOT (2 REQ'D)
16	409343	BRUSH SET SCREW (2 REQ'D)	*52	2261535	SPRING SLEEVE LWR	90	2302600 PIN-ACTUATOR
17	405151	BRUSH PLATE SPACER (2 REQ'D)	*53	2264701	INSERT-TUBE (2 PER) (2 REQ'D)	91	2302850 ACTUATOR-CAM
18	409000	FLANGE BEARING (SERVICE ONLY)	*54	2262704	SPRING, BOWGUARD	92	2302851 ACTUATOR- FWD/REV
19	409033	BRUSH END HOUSING	55	2011365	SCREW-COLLAR/NEW KNOB	93	2302740 SPRING- (ACTUATOR)
20	409461	SEAL (2 REQ'D)	56	2262800	TENSION BLOCK -ALUM	94	2302741 SPRING-CAM
21	409462	O-RING- THRU BOLT (2 REQ'D)	*57	2263100	NUT-1/4-20 INSERT	95	2344005 CONTROL BOARD ASSEMBLY
22	409352	THRU BOLT (2 REQ'D)	58	2251601	ROPE (40"), MAXXUM MOUNT	96	2301710 WASNER-INSUL. (2 REQ'D)
23	2317036	MOTOR ASSEMBLY (52")	59	2150400	PULL-GRIP	97	2372100 SCREW-8-18 X 5/8 (4 REQ'D)
24	2006601	DECAL--MAXXUM	60	2151700	WASHER-EYE SHAFT(.562 OD)	98	2301310 SCREW-8-18 X 1/2 (2 REQ'D)
25	2032081	TUBE-52"	61	2236000	BEARING NYLINER (2 REQ'D)	99	2365105 INSULATED PAD
26	2331120	PROPELLER	61A	2261707	WASHER 3/8 X 1/2OD (2 REQ'D)	100	2994830 BAG ASSY-MAXXUM FRESNW
27	2091700	LOCKWASHER	62	2363434	SCREW-8-18 X 1 (2 REQ'D)	*101	2263431 SCREW 1/4-20 X 3.5 (6 REQ'D)
28	2093100	NUT- PROP	63	2152610	SPRING-PIN (LOCKBAR) (2 REQ'D)	*102	2261713 WASHER-1/4 FLAT (6 REQ'D)
29	2092600	PIN- DRIVE	64	2233600	LOCK BAR-(FRONT)	*103	2263103 NUT-1/4-20 NYLOCK JAM (6 REQ'D)
30	2030317	WIRE EXTENSION-18" - RED (2 REQ'D)	65	2233602	LOCK BAR-(REAR)	*104	2301720 WASHER-MOUNTING RUBBER (6 REQ'D)
31	2030316	WIRE EXTENSION-18" - BLACK (2REQ'D)	66	2152700	SPRING-(LOCKBAR)	105	2305810 TAG- AIR SWITCH LEADS
32	2030710	CONNECTOR- BUTT (4 REQ'D)	67	2262703	SPRING STOP-MAXXUM		
33	2375400	SHRINK TUBE-1/4 X 1-3/4 (4 REQ'D)	68	2153603	EYE SHAFT 2LOCKBAR STD SS		
34	2771975	MOUNT, BOW ASSEMBLY COMPLETE	69	2260506	HINGE-PIN (HEADLESS) ZINC		
35	2264206	ARM- UPPER	70	2293810	YOKE, MAXXUM MOUNT		
36	2260513	HINGE PIN (MAX, A/T)- PLATED	71	2031520	COLLAR-DEPTH (W/O INSERT)		
36A	2263010	E-RING 3/8 DIA SHAFT (2 REQ'D)	72	2011365	SCREW-COLLAR/NEW KNOB		
37	2293501	BUSHING (4 REQ'D)	73	2332900	STRAIN RELIEF-COIL CORD		
38	2263500	BOLT, SHOULDER (4 REQ'D)	74	2303001	RING-PIG		

PARTS LIST

MAX 74/H - 52"

* This item is part of an assembly. This item cannot be sold separately due to machining and /or assembly that is required.

Max 74H & RT74/B

