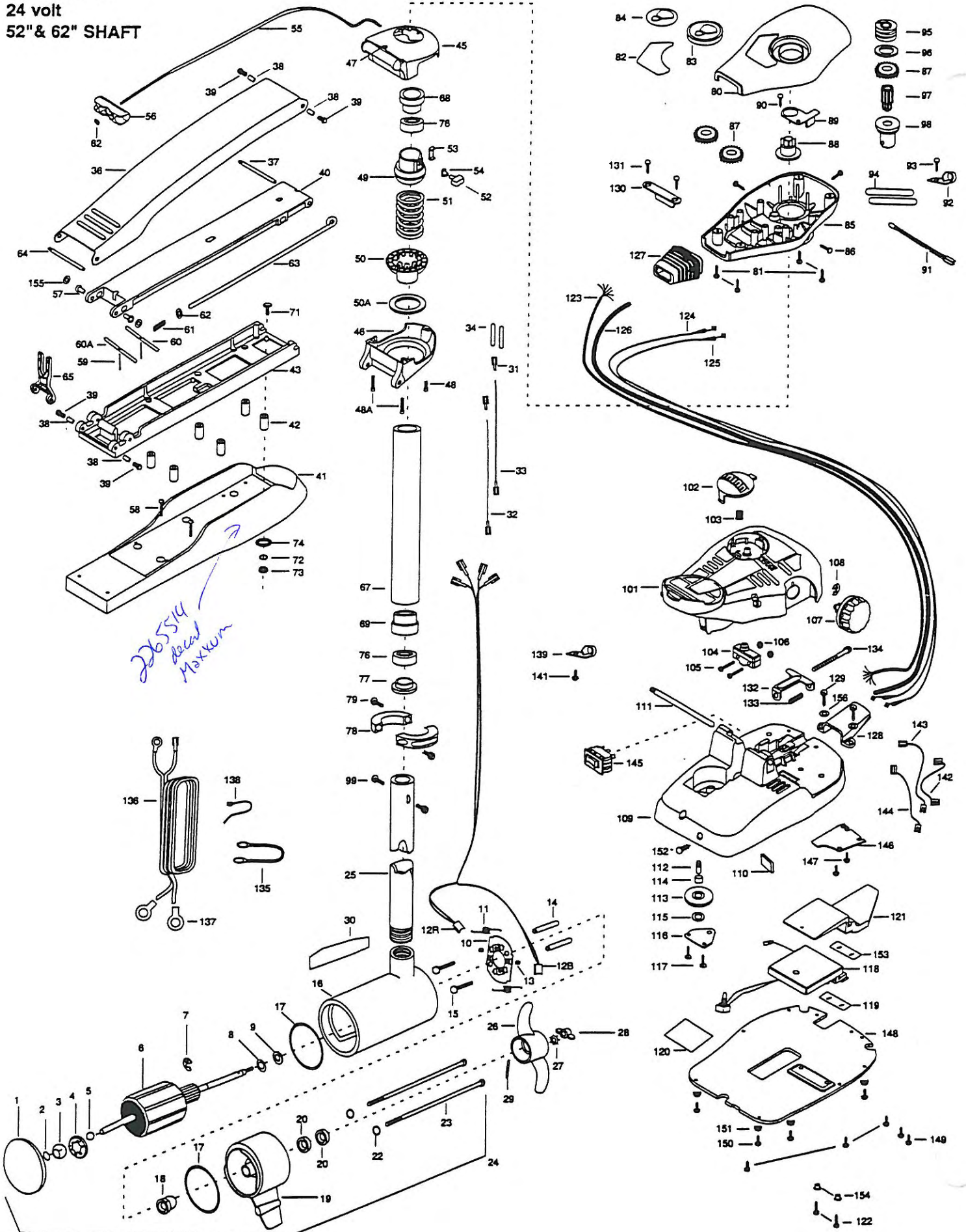


74 lbs Thrust
24 volt
52" & 62" SHAFT



JWA MARINE, 706
 ordered from any c
 Be sure to provide
 Please use the cor
 from the MINN KOTA parts department, may be by cash, personal check, Discover Card
 MasterCard or VISA. To order, call 1-800-227-6433 or FAX 1-800-527-4464.

fuera de los Estados Unidos, consultar la
 lista anexa para ubicar el Centro de servicio
 autorizado MINN KOTA. No dejar de incluir el
 número del MODELO y el número de SERIE
 del motor para el cual se solicitan las piezas.
 Usar siempre los números de pieza correctos
 indicados en la lista de piezas.

Hors de Etats-Unis, voir la liste ci-jointe pour
 le Centre de Service Agréé MINN KOTA le
 plus proche. Lors d'une commande, ne pas
 oublier de fournir le numéro de modèle et le
 numéro de série du moteur. Toujours mention-
 ner le numéro de pièce exact figurant sur la
 liste des pièces de rechange.

Fora da América do Norte, queira consul-
 tar a lista anexa para encontrar o Centro
 de Serviço Autorizado MINN KOTA. Não
 deixe de incluir o número do motor e o
 número de SÉRIE do motor ao pedir
 peças. Sempre use os números cor-
 retos das peças da lista de peças.

1	409024	PLAIN ENDBELL	*54	2263100	NUT-1/4-20 INSERT	107	2260160	KNOB-SPEED CONTROL
2	406050	THRUST DISC	55	2251601	ROPE- 40"	108	2263000	E-RING
3	409600	SPHERICAL BEARING	56	2150400	PULL-GRIP	*109	2264550	FOOT PEDAL BASE ASSEMBLY (INCL. 109,110,112)
4	409301	BEARING RETAINER	57	2236000	BEARING NYLINER (2 REQ'D)	*110	2266413	PLATE- TENSION SCREW
5	405010	BALL-STEEL	58	2263434	SCREW-8-18X1 (2 REQ'D)	111	2260511	PIN-PIVOT
6	410203	ARMATURE ASSEMBLY	59	2152610	SPRING-PIN (LOCKBAR) (2 REQ'D)	*112	2260515	PIN-PULLEY-AXLE
7	409300	E-RING	60	2233600	LOCK BAR- BOW MOUNT	113	2262300	PULLEY (FOOT PEDAL)
8	409170	THRUST WASHER- STEEL (AS REQ'D)	60A	2233602	LOCK BAR- REAR	114	2260000	BEARING-PULLEY
9	409171	THRUST WASHER- NYLON (AS REQ'D)	61	2152700	SPRING (LOCKBAR)	115	2261705	WASHER-NYLATRON
10	409402	BRUSH PLATE ASSEMBLY	62	2151700	WASHER-EYE SHAFT .562 OD	116	2266400	COVER-PULLEY
11	406083	BRUSH SPRING (2 REQ'D)	63	2153605	EYE SHAFT-2 LOCKBAR LONG	117	2301310	SCREW-8-18 X 1/2 (2 REQ'D)
12R	409073	BRUSH ASSEMBLY-RED	64	2260506	HINGE-PIN, HEADLESS ZINC	118	2264011	CONTROL BOARD ASSEMBLY
12B	409074	BRUSH ASSEMBLY-BLK	65	2293810	YOKE, MAXXUM MOUNT	119	2365106	INSULATING PAD- 1.1 X 2.75
13	409343	SET SCREW -BRUSH	66	2992014	TUBE W/BEARING RACE- 62" SHAFT	120	2365107	INSULATING PAD- 2.3 X 3.2
14	405151	BRUSH PLATE SPACER (2 REQ'D)		2992016	TUBE W/BEARING RACE- 52" SHAFT	121	2264018	HEAT SINK, MAXXUM FT
15	405341	BRUSH PLATE SCREW (2 REQ'D)	*67	2272067	TUBE OUTER 24" -ORDER 66	122	2263447	SCREW-8-32 X 1 (2 REQ'D)
16	409257	CENTER SECTION W/MAGNETS		2272068	TUBE OUTER 34" -ORDER 66	123	2261217	WIRE HARNESS
17	409460	O-RING (2 REQ'D)	68	2266260	BEARING RACE	124	2267500	CABLE ASSY-RIGHT (5')
18	409000	FLANGE BEARING (SERVICE ONLY)	69	2266220	BEARING RACE-STEEL	125	2267510	CABLE ASSY-LEFT (5')
19	409033	BRUSH END HOUSING	70	2994830	BAG ASSEMBLY-MAXXUM FW	126	2265430	CABLE JACKET (5')
20	409461	SEAL (2 REQ'D)	*71	2263431	SCREW 1/4-20 X 3.5 (6 REQ'D)-ORDER 70	127	2265110	BOOT-CONTROL BOX
22	409462	O-RING -THRU BOLT (2 REQ'D)	*71A	2263435	SCREW 1/4-20 X 3.5 (2 REQ'D)-ORDER 70	128	2265115	BOOT-BOOT PEDAL BASE
23	409352	THRU BOLT (2 REQ'D)	*72	2261713	WASHER-1/4 FLAT (6 REQ'D)-ORDER 70	129	2372100	SCREW-8-18 X 5/8 FT.PDL (2 REQ'D)
24	2317033	MOTOR-ASSEMBLY 52"-62"	*73	2263102	NUT-1/4-20 (6 REQ'D)-ORDER 70	130	2261900	BRACKET-CONDUIT
25	2032067	TUBE- COMPOSITE 52"	*74	2301720	WASHER-MOUNTING, RUBBER (6 REQ'D)-ORDER 70	131	2301310	SCREW-8-18 X 1/2 (2 REQ'D)
	2032066	TUBE- COMPOSITE 62"	75	2266610	DECAL-ON/OFF SWITCH	132	2263210	BRACKET-CONDUIT ADJUSTMENT
26	2331120	PROPELLER (W.WEDGE)	76	2266000	BEARING BALL-STEEL (2 REQ'D)	133	2262720	SPRING-CONDUIT ADJUSTMENT
27	2091700	LOCKWASHER-PROP	77	2266115	BEARING CONE	134	2263460	SCREW-1/4-20 X 2"
28	2093100	NUT-PROP	78	2771615	COLLAR HALVES KIT	135	2340610	CONNECTOR CABLE-(12", 4GA)
29	2092600	PIN-DRIVE	79	2263450	SCREW-10-24 X 7/8 (2 REQ'D)	136	2261227	LEADWIRE -VARIABLE
30	2006601	DECAL-LOWER UNIT	80	2260283	CONTROL BOX COVER-MAXXUM	137	2020700	TERMINAL RING, 3/8" (2 REQ'D)
31	2030710	CONNECTOR BUTT (2 REQ'D) (62" SHAFT)	81	2372100	SCREW-8-18 X 5/8 (4 REQ'D)	138	2256300	TIE WRAP-5.5" BLACK
32	2030317	WIRE EXTENSION-18" -RED (62" SHAFT)	82	2265532	DECAL COVER, MAXXUM 74	139	2263201	CLAMP WIRE HARNESS MICRO
33	2030316	WIRE EXTENSION-18" -BLACK (62" SHAFT)	83	2260150	POINTER DISC TRNSLCNT RED	141	2332103	SCREW-6-20 X 3/8
34	2375400	SHRINK TUBE-1/40D X 1-3/4 (2 REQ'D) (62" SHAFT)	84	2265800	DECAL-INDICATOR	142	2260316	CONNECTING WIRE (VAR.SPD)
35	2991974	MOUNT, BOW ASSEMBLY- LONG	85	2262531	CONTROL BOX-PLASTIC	143	2260311	CONNECTING WIRE 19 1/4"
36	2264216	ARM UPPER-FW LONG	86	2262109	SCREW-8-32 X 1/2 (3 REQ'D)	144	2260323	WIRE-BLK/GRN VARIABLE
37	2260513	HINGE PIN (MAX A/T)	87	2267800	GEAR-INDICATOR (3 REQ'D)	145	2254031	SWITCH-MOM/OFF/COM
37A	2263010	E-RING 3/8 DIA SHAFT (2 REQ'D)	88	2262220	INDICATOR-DRIVE	146	2266412	SWITCH PLATE, FT PEDAL
38	2293501	BUSHING (4 REQ'D)	89	2261905	BRACKET/INDICATOR	147	2332103	SCREW-6-20 X 3/8 (2 REQ'D)
39	2263500	BOLT, SHOULDER (4 REQ'D)	90	2301310	SCREW-8-18 X 1/2	148	2264510	BOTTOM PLATE, MAXXUM
40	2774315	ARM-LOWER FW LONG 2774317	91	2264015	LIGHT/INDICATOR	149	9953104	SCREW-8 X 1/2 (5 REQ'D)
41	2999265	MOTOR REST ASSEMBLY LONG	92	2263201	CLAMP WIRE HARNESS	150	2263455	SCREW #12-14X1/2 (4 REQ'D)
42	2261505	SPACER, MOTOR REST (6 REQ'D)	93	2301310	SCREW-8-18 X 1/2	151	2265126	BUMBER PAD, FOOT PEDAL (4 REQ'D)
43	2251972	BOW PLATE, LONG	94	2355410	SHRINK TUBE-3/8 OD X 2" (2 REQ'D)	152	2262651	PUSH PIN
44	2271935	BRACKET ASSEMBLY (INCL 45-54)	95	2232360	PULLEY-CABLE DRUM	153	2265105	INSULATING PAD
*45	2991992	BRACKET BASE-TOP W/INSERT	96	2261730	WASHER-NYLON	154	2261712	WASHER- INSULATED
*46	2991993	BRACKET BOTTOM W/BEARING ASSEMBLY	*97	2267805	PINION DRIVE	155	2261707	WASHER- 3/8 X 1/2 (2 REQ'D)
*47	2232351	EYELET-ROPE	*98	2266246	TOP BEARING RACE	156	2261714	WASHER-MAX FT PDL (2 REQ'D)
*48	2263402	SCREW 1/4-20 X 3/4	99	2263410	SCREW-8-32 X 5/16 (2 REQ'D)			
*48A	2263420	BOLT 1/4-20 X 2 (2 REQ'D)	100	2992023	FOOT PEDAL ASSEMBLY			
*49	2261520	SPRING-SLEEVE UPPER	101	2790002	FOOT PEDAL/PLUG ASSEMBLY			
*50	2261532	SPRING SLEEVE LWR	102	2263700	PUSH-BUTTON, FOOT PEDAL			
*50A	2261531	BEARING- BOWGUARD	103	2302732	SPRING-LOWER PEDAL			
*51	2262706	SPRING, BOWGUARD, NIK PL	104	2264023	SWITCH-SEALED ASSEMBLY			
52	2011385	SCREW-TENSION/NEW KNOB	105	2262114	SCREW-MOUNTING/SWITCH (2 REQ'D)			
*53	2262800	TENSION BLOCK -ALUMINUM	106	2233100	NUT-SWITCH MOUNT (2 REQ'D)			

PARTS LIST

74 MAXXUM - 52" & 62"

* This item is part of an assembly. This item cannot be sold separately due to machining and /or assembly that is required.

1999 Maxxum Series (foot-control) WIRING DIAGRAM

Max 54, Max 74,
& Max 76

