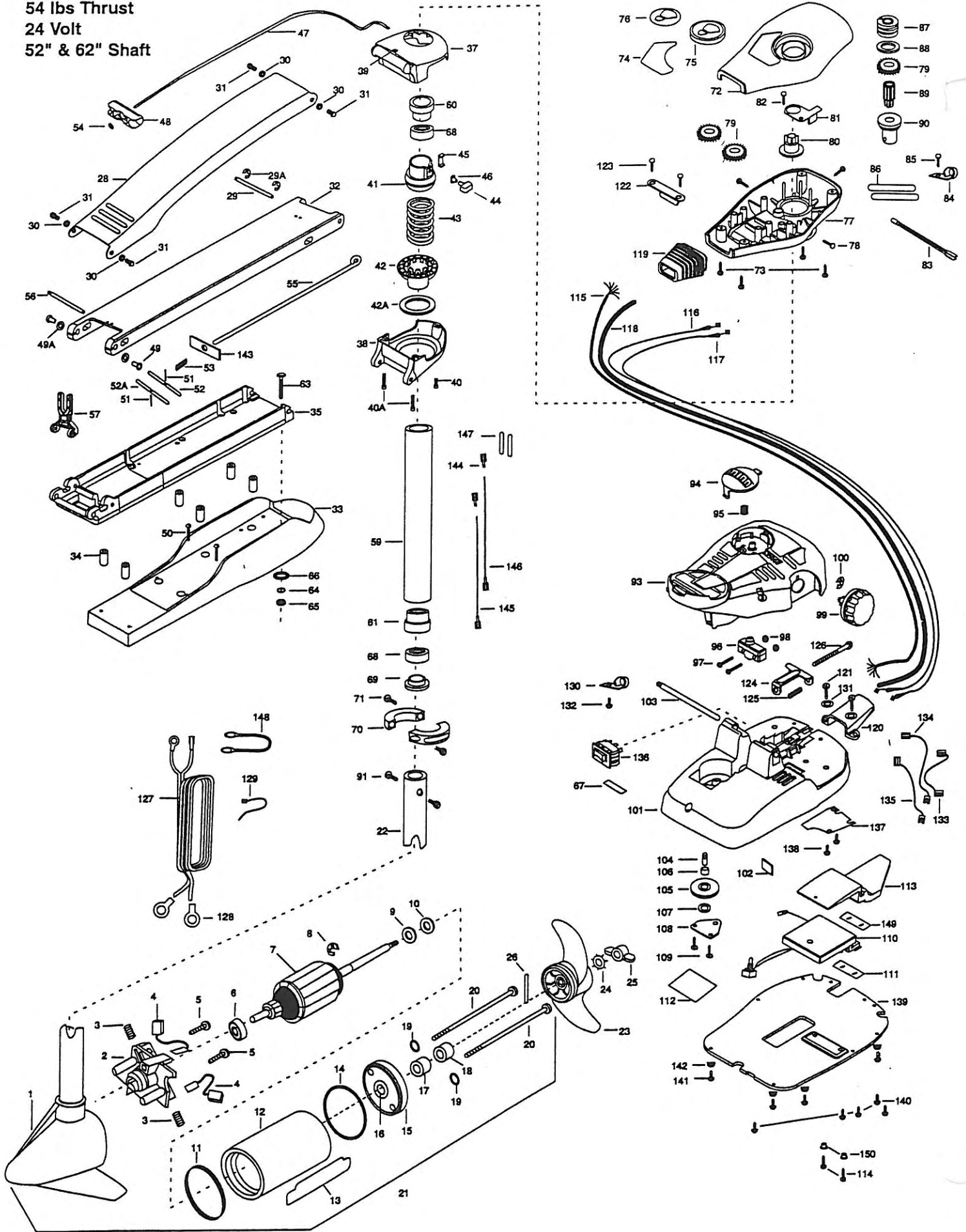


54MAXXUM
54 lbs Thrust
24 Volt
52" & 62" Shaft



In the U.S.A., replacement parts may be ordered directly from MINN KOTA Parts Dept., JWA MARINE, 706 ... Mankato, Minnesota 56001. In Canada, parts may be ordered from any Canadian Authorized Service Centers shown on the enclosed list. Be sure to provide MODEL and SERIAL numbers of your motor when ordering parts. Please use the correct part numbers from the parts list. Payment for any parts ordered from the MINN KOTA parts department, may be by cash, personal check, Discover Card MasterCard or VISA. To order, call 1-800-227-8433 or FAX 1-800-527-4464.

Fuera de los Estados Unidos, consultar la lista anexa para ubicar el Centro de servicio autorizado MINN KOTA. No dejar de incluir el número del MODELO y el número de SERIE del motor para el cual se solicitan las piezas. Usar siempre los números de pieza correctos indicados en la lista de piezas.

Hors de États-Unis, voir la liste ci-jointe pour le Centre de Service Agréé MINN KOTA le plus proche. Lors d'une commande, ne pas oublier de fournir le numéro de modèle et le numéro de série du moteur. Toujours mentionner le numéro de pièce exact figurant sur la liste des pièces de rechange.

Fora da América do Norte, consultar a lista anexa para encontrar o Centro de Serviço Autorizado MINN KOTA. Não deixe de incluir o número do MODELO e o número de SÉRIE do seu motor ao pedir peças. Sempre use os números corretos das peças da lista de peças.

1	409023	PLAIN ENDBELL	49	2236000	BEARING NYLINER (2 REQ'D)	98	2233100	NUT-SWITCH MOUNT (2 REQ'D)
2	406403	BRUSH PLATE ASSEMBLY	49A	2261707	WASHER 3/8 X 1/2OD (2 REQ'D)	99	2260160	KNOB-SPEED CONTROL
3	406082	BRUSH SPRING (2 REQ'D)	50	2263434	SCREW-8-18 X 1 (2 REQ'D)	100	2263000	E-RING
4	406071	BRUSH ASSEMBLY	51	2152610	SPRING-PIN (LOCKBAR) (2 REQ'D)	101	2774550	FOOT PEDAL BASE ASSEMBLY (INCL. 101,102,104)
5	406342	BRUSH PLATE SCREW (2 REQ'D)	52	2233600	LOCK BAR- BOW MOUNT	*102	2266413	PLATE-TENSION SCREW
6	406010	BALL BEARING	52A	2233602	LOCK BAR- BOW MOUNT REAR	103	2260511	PIN-PIVOT
7	406207	ARMATURE ASSEMBLY 54 MAXXUM	53	2152700	SPRING-(LOCKBAR)	*104	2260515	PIN-PULLEY-AXLE
8	405300	E-RING	54	2151700	WASHER-EYE SHAFT .562 OD	105	2262300	PULLEY (FOOT PEDAL)
9	406170	THRUST WASHER- STEEL (AS REQ'D)	55	2153605	EYE SHAFT LONG	106	2260000	BEARING-PULLEY
10	405171	THRUST WASHER- NYLON (AS REQ'D)	56	2260506	HINGE-PIN (HEADLESS) ZINC	107	2261705	WASHER-NYLATRON
11	406490	GASKET	57	2293810	YOKE, MAXXUM MOUNT	108	2266400	COVER-PULLEY
12	409253	CENTER SECTION W/MAGNETS	58	2992014	TUBE W/BEARING RACE (62" SHAFT)	109	2301310	SCREW-8-18 X 1/2 (2 REQ'D)
13	2006601	DECAL-LOWER UNIT		2992016	TUBE W/BEARING RACE (52" SHAFT)	110	2264009	CONTROL BOARD ASSEMBLY 24V
14	406470	O-RING	*59	2272067	TUBE OUTER 24" -ORDER 58	111	2365106	INSULATING PAD (1.1 X 2.)
15	406033	BRUSH END HOUSING		2272068	TUBE OUTER 34" -ORDER 58	112	2365107	INSULATING PAD (2.3 X 3.)
16	406600	FLANGE BEARING (SERVICE ONLY)	60	2266260	BEARING RACE	113	2264018	HEAT SINK, MAXXUM FT
17	406461	SEAL	61	2266220	BEARING RACE-STEEL	114	2263447	SCREW-8-18 X 1 (2 REQ'D)
18	406471	SEAL- CUP	62	2994830	BAG ASSEMBLY-MAXXUM FW	115	2261217	WIRE HARNESS
19	405462	O-RING —THRU BOLT (2 REQ'D)	*63	2263431	SCREW 1/4-20 X 3.5 (6 REQ'D) ORDER 62	116	2267500	CABLE ASSEMBLY-RIGHT (5')
20	406353	THRU BOLT (2 REQ'D)	*64	2261713	WASHER-1/4 FLAT (6 REQ'D) ORDER 62	117	2267510	CABLE ASSEMBLY-LEFT (5')
21	2099021	MOTOR-ASSEMBLY 54MAX 62"	*65	2263103	NUT-1/4-20 -NYLOCK JAM (6 REQ'D) ORDER 62	118	2265430	CABLE JACKET (5')
	2099022	MOTOR-ASSEMBLY 54MAX 52"	*66	2301720	WASHER-MOUNTING, RUBBER (6 REQ'D) ORDER 62	119	2265110	BOOT-CONTROL BOX
22	2032067	TUBE- COMPOSITE 52"	67	2266610	DECAL-ON/OFF SWITCH	120	2265115	BOOT-FOOT PEDAL BASE
	2032066	TUBE- COMPOSITE 62"	68	2266000	BEARING BALL-STEEL (2 REQ'D)	121	2372100	SCREW-8-18 X 1/2 FT. PDL (2 REQ'D)
23	2091150	PROPELLER (W.WEDGE)	69	2266115	BEARING CONE	122	2261900	BRACKET-CONDUIT
24	2051700	LOCKWASHER-PROP	70	2771615	COLLAR HALVES KIT	123	2263434	SCREW 8-18 X 1 (2 REQ'D)
25	2053100	NUT-PROP	71	2263450	SCREW-10-24 X 7/8 (2 REQ'D)	124	2263210	BRACKET-CONDUIT ADJUSTMENT
26	2092600	PIN-DRIVE	72	2260283	CONTROL BOX COVER-MAXXUM	125	2262720	SPRING-CONDUIT ADJUSTMENT
27	2991974	MOUNT, BOW ASSEMBLY LONG	73	2372100	SCREW-8-18 X 5/8 (4 REQ'D)	126	2263460	SCREW-1/4-20 X 2"
28	2264216	ARM UPPER-FW LONG	74	2265526	DECAL COVER, MAXXUM 54	127	2261227	LEADWIRE -VARIABLE
29	2260513	HINGE PIN (THREADED)	75	2260150	POINTER DISC TRNSLCNT RED	128	2020700	TERMINAL RING, 3/8" (2 REQ'D)
29A	2263010	E-RING 3/8 DIA SHAFT (2 REQ'D)	76	2265800	DECAL-INDICATOR	129	2256300	TIE WRAP-5.5" BLACK
30	2293501	BUSHING (4 REQ'D)	77	2262531	CONTROL BOX-PLASTIC	130	2263201	CLAMP WIRE HARNESS MICRO
31	2263500	BOLT, SHOULDER (4 REQ'D)	78	2262109	SCREW-8-32 X 1/2 (3 REQ'D)	131	2261714	WASHER- MAXXUM FT PDL (2 REQ'D)
32	2774312	ARM-LOWER FW LONG	79	2267800	GEAR-INDICATOR (3 REQ'D)	132	2332103	SCREW-6-20 X 3/8 (2 REQ'D)
33	2999265	MOTOR REST ASSEMBLY LONG	80	2262220	INDICATOR-DRIVE	133	2260316	CONNECTING WIRE (VAR.SP)
34	2261505	SPACER, MOTOR REST (6 REQ'D)	81	2261905	BRACKET/INDICATOR	134	2260311	CONNECTING WIRE 19 1/4"
35	2251972	BOW PLATE LONG	82	2301310	SCREW-8-18 X 1/2	135	2260323	WIRE-BLK/GRN VARIABLE
36	2271935	BOWGUARD ASSEMBLY (INCL 37—46)	83	2264015	LIGHT/INDICATOR	136	2254031	SWITCH-MOM/OFF/COM
*37	2991992	BRACKET BASE-TOP W/INSERT	84	2263201	CLAMP WIRE HARNESS	137	2266412	SWITCH PLATE, FT PEDAL
*38	2991993	BRACKET BASE BOTTOM W/BEARING ASSEMBLY	85	2301310	SCREW-8-18 X 1/2	138	2332103	SCREW-6-20 X 3/8 (2 REQ'D)
*39	2232351	EYELET-ROPE	86	2355410	SHRINK TUBE-3/8 OD X 2" (2 REQ'D)	139	2264510	BOTTOM PLATE, MAXXUM
*40	2263402	SCREW 1/4-20 X 3/4	87	2232360	PULLEY-CABLE DRUM	140	9953104	SCREW- 8 X 1/2 SS (5 REQ'D)
*40A	2263420	BOLT 1/4-20 X 2 (2 REQ'D)	88	2261730	WASHER-NYLON	141	2263455	SCREW #12-14 X 1/2 (4 REQ'D)
*41	2261525	SPRING-SLEEVE UPPER	*89	2267805	PINION DRIVE	142	2265126	BUMBER PAD, FOOT PEDAL (4 REQ'D)
*42	2261535	SPRING SLEEVE LWR	*90	2266246	TOP BEARING RACE	143	2262703	SPRING STOP
*42A	2261531	BEARING- BOWGUARD	91	2263410	SCREW-8-32 X 5/16 (2 REQ'D)	144	2030710	CONNECTOR BUTT (2 REQ'D, 62" ONLY)
*43	2262706	SPRING, BOWGUARD, NIK PL	92	2992022	FOOT PEDAL ASSEMBLY MAX -24V	145	2030317	WIRE EXTENSION 18" RED (62" ONLY)
44	2011365	SCREW-COLLAR/NEW KNOB	93	2790002	FOOT PEDAL/PLUG ASSEMBLY	146	2030316	WIRE EXTENSION 18" BLACK (62" ONLY)
*45	2262800	TENSION BLOCK -ALUM	94	2263700	PUSH-BUTTON, FOOT PEDAL	147	2375400	SHRINK TUBE (2 REQ'D, 62" ONLY)
*46	2263100	NUT-1/4-20 INSERT	95	2302732	SPRING-LOWER PEDAL	148	2090620	CONNECTOR CABLE
47	2251601	ROPE- 40"	96	2264023	SWITCH-SEALED ASSEMBLY	149	2265105	INSULATING PAD
48	2150400	PULL-GRIP	97	2262114	SCREW-MOUNTING/SWITCH (2 REQ'D)	150	2261712	WASHER- INSULATED (2 REQ'D)

* This Item is part of an assembly. This Item cannot be sold separately due to machining and /or assembly that is required.

PARTS LIST

MAX 54 - 52" & 62"

1999 Maxxum Series (foot-control) WIRING DIAGRAM

Max 54, Max 74,
& Max 76

