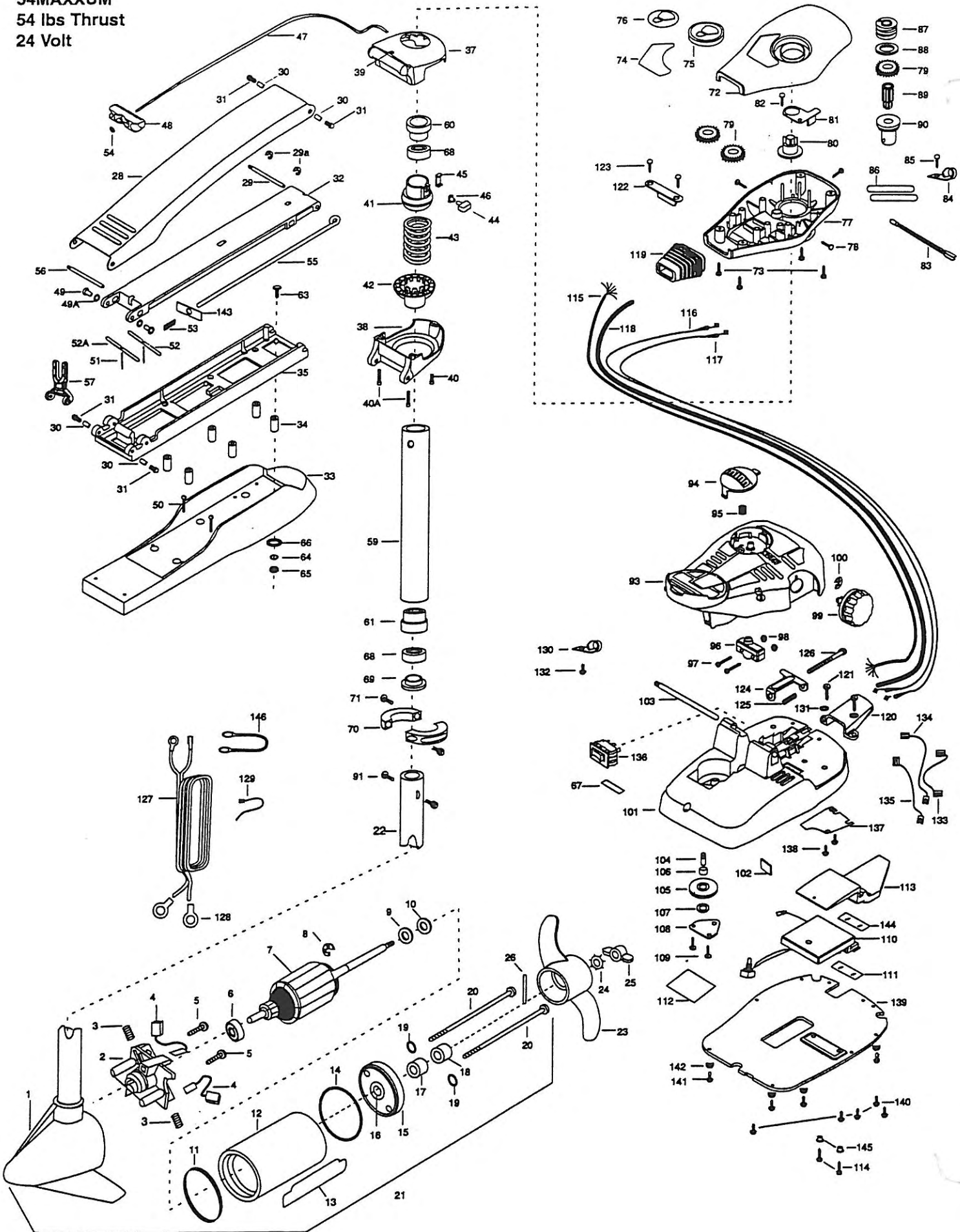


54MAXXUM
54 lbs Thrust
24 Volt



Parts may be ordered directly from MINN KOTA Parts Dept., JWA
 Mankato, Minnesota 56001. In Canada, parts may be ordered
 Authorized Service Centers shown on the enclosed list. Be sure to
 provide the MODEL numbers of your motor when ordering parts. Please use the
 correct part number from the parts list. Payment for any parts ordered from the MINN
 KOTA parts department, may be by cash, personal check, Discover Card MasterCard or
 VISA. To order, call 1-800-227-6433 or FAX 1-800-527-4464.

Para los Estados Unidos, consultar la lista
 anexa para ubicar el Centro de servicio autor-
 izado MINN KOTA. No dejar de incluir el
 número del MODELO y el número de SERIE
 del motor para el cual se solicitan las piezas.
 Usar siempre los números de pieza correctos
 indicados en la lista de piezas.

Hors de États-Unis, voir la liste ci-jointe pour
 le Centre de Service Agréé MINN KOTA le
 plus proche. Lors d'une commande, ne pas
 oublier de fournir le numéro de modèle et le
 numéro de série du moteur. Toujours mention-
 ner le numéro de pièce exact figurant sur la
 liste des pièces de rechange.

Fora da América do Norte, qualra consultar
 a lista anexa para identificar o Centro de
 Serviço Autorizado MINN KOTA. Não deixe
 de incluir o número do modelo e o
 número de SÉRIE do motor ao pedir
 peças. Sempre use os números corretos
 das peças da lista de peças.

1	409023	PLAIN ENDBELL	49A	2261707	WASHER 3/8X1/2 (2REQ'D)	99	2260160	KNOB-SPEED CONTROL
2	406403	BRUSH PLATE ASSEMBLY	50	2263434	SCREW-8-18X1 (2 REQ'D)	100	2263000	E-RING
3	406082	BRUSH SPRING (2 REQ'D)	51	2152610	SPRING-PIN (LOCKBAR) (2 REQ'D)	101	2774550	FT PEDAL BASE ASSEMBLY (INCL. 101,102,104)
4	406071	BRUSH ASSEMBLY	52	2233600	LOCK BAR- BOW MOUNT	*102	2266413	PLATE-TENSION SCREW
5	406342	BRUSH PLATE SCREW (2 REQ'D)	52A	2233602	LOCK BAR- BOW MOUNT REAR	103	2260511	PIN-PIVOT
6	406010	BALL BEARING	53	2152700	SPRING-(LOCKBAR)	*104	2260515	PIN-PULLEY-AXLE
7	406207	ARMATURE ASSEMBLY 54 MAXXUM	54	2151700	WASHER-EYE SHAFT .562 OD	105	2262300	PULLEY (FOOT PEDAL)
8	405300	E-RING	55	2153603	EYE SHAFT (2 LOCKBAR)	106	2260000	BEARING-PULLEY
9	406170	THRUST WASHER- STEEL (AS REQ'D)	56	2260506	HINGE-PIN (HEADLESS) ZINC	107	2261705	WASHER-NYLATRON
10	405171	THRUST WASHER- NYLON (AS REQ'D)	57	2293810	YOKE, MAXXUM MOUNT	108	2266400	COVER-PULLEY
11	406490	GASKET	58	2992012	TUBE W/BEARING RACE ASSEMBLY	109	2301310	SCREW-8-18 X 1/2 (2 REQ'D)
12	409253	CENTER SECTION W/MAGNETS	*59	2272069	TUBE OUTER 21" -ORDER 58	110	2264009	CONTROL BOARD ASSEMBLY 24V
13	2006601	DECAL-LOWER UNIT	60	2266260	BEARING RACE	111	2365106	INSULATING PAD (1.1 X 2.75)
14	406470	O-RING	61	2266220	BEARING RACE-STEEL	112	2365107	INSULATING PAD (2.3 X 3.2)
15	406033	BRUSH END HOUSING	62	2994830	BAG ASSEMBLY-MAXXUM FW	113	2264018	HEAT SINK, MAXXUM FT
16	406600	FLANGE BEARING (SERVICE ONLY)	*63	2263431	SCREW 1/4-20 X 3.5 (6 REQ'D) ORDER 62	114	2263447	SCREW-8-32 X 1 (2 REQ'D)
17	406461	SEAL	*64	2261713	WASHER-1/4 FLAT (6 REQ'D) ORDER 62	115	2261217	WIRE HARNESS
18	406471	SEAL- CUP	*65	2263103	NUT-1/4-20 NYLOCK/JAM (6 REQ'D) ORDER 62	116	2267500	CABLE ASSEMBLY-RIGHT (5')
19	405462	O-RING - THRU BOLT (2 REQ'D)	*66	2301720	WASHER-MOUNTING, RUBBER (6 REQ'D) ORDER 62	117	2267510	CABLE ASSEMBLY-LEFT (5')
20	406353	THRU BOLT (2 REQ'D)	67	2266610	DECAL-ON/OFF SWITCH	118	2265430	CABLE JACKET (5')
21	2099021	MOTOR-ASSEMBLY 54MAX 42"	68	2266000	BEARING BALL-STEEL (2 REQ'D)	119	2265110	BOOT-CONTROL BOX
22	2032061	TUBE- COMPOSITE W/CSK HOLE 43-3/4	69	2266115	BEARING CONE	120	2265115	BOOT-FOOT PEDAL BASE
23	2091150	PROPELLER (W.WEDGE)	70	2771615	COLLAR HALVES KIT	121	2372100	SCREW-8-18 X 5/8 FT.PDL (2 REQ'D)
24	2051700	LOCKWASHER-PROP	71	2263450	SCREW-10-24 X 7/8 (2 REQ'D)	122	2261900	BRACKET-CONDUIT
25	2053100	NUT-PROP	72	2260283	CONTROL BOX COVER-MAXXUM	123	2263434	SCREW 8-18 X 1 (2 REQ'D)
26	2092600	PIN-DRIVE	73	2372100	SCREW-8-18 X 5/8 (4 REQ'D)	124	2263210	BRACKET-CONDUIT ADJUSTMENT
27	2771975	MOUNT, BOW ASSEMBLY STD	74	2265526	DECAL COVER, MAXXUM 54	125	2262720	SPRING-CONDUIT ADJUSTMENT
28	2264206	ARM UPPER-FW	75	2260150	POINTER DISC TRNSLCLNT RED	126	2263460	SCREW-1/4-20 X 2"
29	2260513	HINGE PIN MAX A/T PLATED	76	2265800	DECAL-INDICATOR	127	2261227	LEADWIRE -VARIABLE
29A	2263010	E-RING 3/8 DIA SHAFT	77	2262531	CONTROL BOX-PLASTIC	128	2020700	TERMINAL RING, 3/8" (2 REQ'D)
30	2293501	BUSHING (4 REQ'D)	78	2262109	SCREW-8-32 X 1/2 (3 REQ'D)	129	2256300	TIE WRAP-5.5" BLACK
31	2263500	BOLT, SHOULDER (4 REQ'D)	79	2267800	GEAR-INDICATOR (3 REQ'D)	130	2263201	CLAMP WIRE HARNESS MICRO
32	2994307	ARM-LOWER FW STD ASSEMBLY	80	2262220	INDICATOR-DRIVE	131	2261714	WASHER- MAXXUM FT PDL
33	2999266	MOTOR REST ASSEMBLY (STD)	81	2261905	BRACKET/INDICATOR	132	2332103	SCREW-6-20 X 3/8 (2 REQ'D)
34	2261505	SPACER, MOTOR REST (6 REQ'D)	82	2301310	SCREW-8-18 X 1/2	133	2260316	CONNECTING WIRE (VAR.SPD)
35	2251962	BOW PLATE STD	83	2264015	LIGHT/INDICATOR	134	2260311	CONNECTING WIRE 19 1/4"
36	2271935	BOWGUARD ASSEMBLY (INCL 37-46)	84	2263201	CLAMP WIRE HARNESS	135	2260323	WIRE- BLK/GRN VARIABLE
*37	2991992	BRACKET BASE-TOP/INSERT ASSEMBLY	85	2301310	SCREW-8-18 X 1/2	136	2254031	SWITCH-MOM/OFF/CON
*38	2991993	BRACKET BOTTOM/BEARING ASSEMBLY	86	2355410	SHRINK TUBE-3/8 OD X 2" (2 REQ'D)	137	2266412	SWITCH PLATE, FT PEDAL
*39	2232351	EYELET-ROPE	87	2232360	PULLEY-CABLE DRUM	138	2332103	SCREW-6-20 X 3/8 (2 REQ'D)
*40	2263402	SCREW 1/4-20 X 3/4	88	2261730	WASHER-NYLON	139	2264510	BOTTOM PLATE, MAXXUM
*40A	2263420	BOLT 1/4-20 X 2	*89	2267805	PINION DRIVE	140	9953104	SCREW 8 X 1/2 (5 REQ'D)
*41	2261525	SPRING-SLEEVE UPPER	*90	2266246	TOP BEARING RACE	141	2263455	SCREW #12-14 X 1/2 (4 REQ'D)
*42	2261535	SPRING SLEEVE LWR	91	2263410	SCREW-8-32 X 5/16 (2 REQ'D)	142	2265126	BUMBER PAD, FOOT PEDAL (4 REQ'D)
*43	2262706	SPRING, BOWGUARD, NIK PL	92	2992022	FOOT PEDAL ASSEMBLY MAX -24V	143	2262703	SPRING STOP
44	2011386	SCREW-COLLAR/NEW KNOB	93	2790002	FOOT PEDAL/PLUG ASSEMBLY	144	2265105	INSULATING PAD
*45	2262800	TENSION BLOCK -ALUM	94	2263700	PUSH-BUTTON, FOOT PEDAL	145	2261712	INSULATING WASHER (2 REQ'D)
*46	2263100	NUT-1/4-20 INSERT	95	2302732	SPRING-LOWER PEDAL	146	2090620	CONNECTOR CABLE
47	2251601	ROPE- 40"	96	2264023	SWITCH-SEALED ASSEMBLY			
48	2150400	PULL-GRIP	97	2262114	SCREW-MOUNTING/SWITCH (2 REQ'D)			
49	2236000	BEARING NYLINER (2 REQ'D)	98	2233100	NUT-SWITCH MOUNT (2 REQ'D)			

* This item is part of an assembly. This item cannot be sold separately due to machining and /or assembly that is required.

PARTS LIST

MAX 54 - 42"

1999 Maxxum Series (foot-control) WIRING DIAGRAM

Max 54, Max 74,
& Max 76

