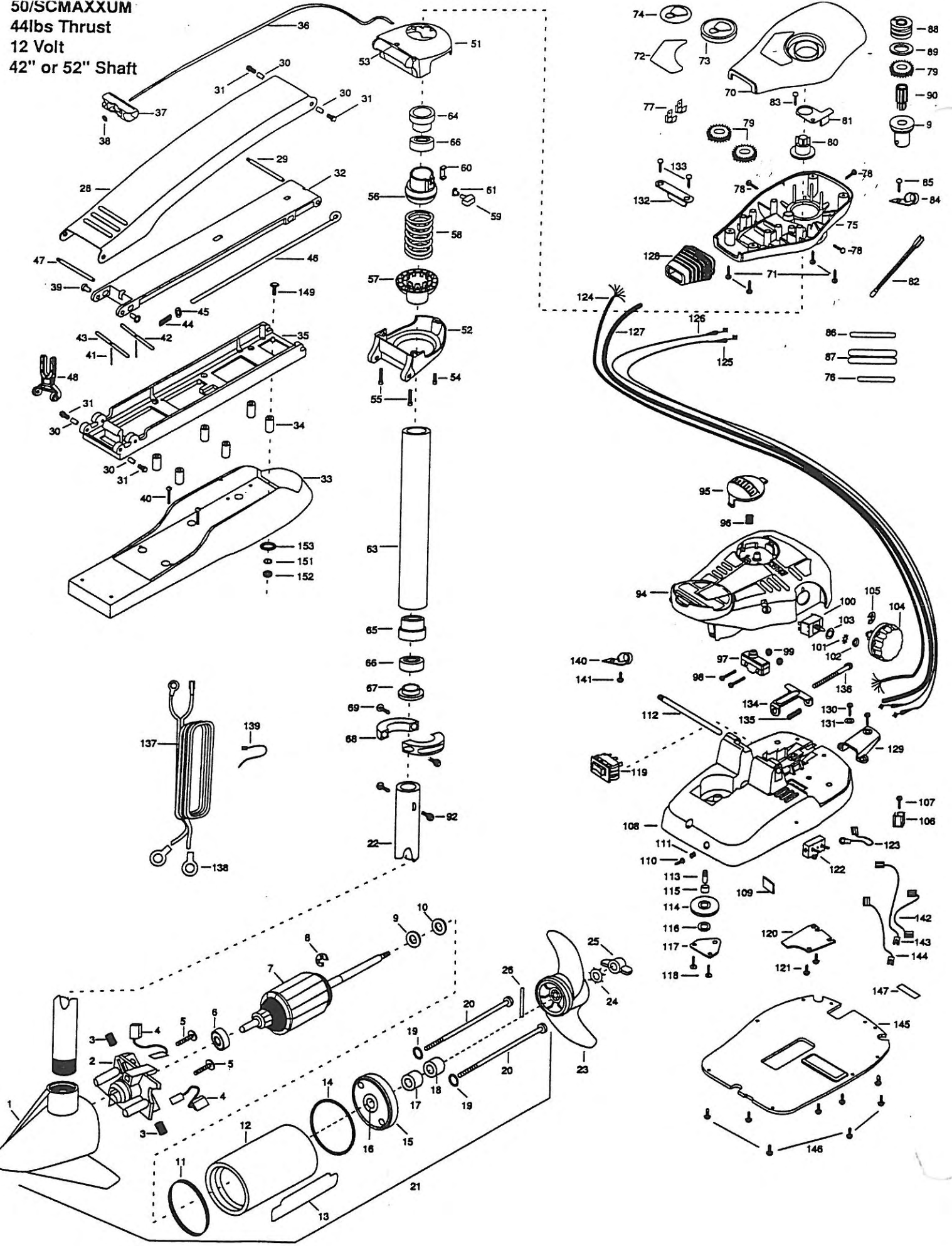


50/SCMAXXUM
 44lbs Thrust
 12 Volt
 42" or 52" Shaft



In the U.S.A., replacement parts may be ordered directly from MINN KOTA Parts Dept., JWA MARINE, 706 Holly Lane, Mankato, Minnesota 56001. In Canada, parts may be ordered from any Canadian Authorized Service Centers shown on the enclosed list. Be sure to provide DEL and SERIAL numbers of your motor when ordering parts. Please use the correct part numbers from the parts list. Payment for any parts ordered from the MINN KOTA Parts department, may be by cash, personal check, Discover Card MasterCard or VISA. To order, call 1-800-227-6433 or FAX 1-800-527-4464.

Fuera de los Estados Unidos, consultar la lista anexa para ubicar el Centro de servicio autorizado MINN KOTA. No dejar de incluir el número del MODELO y el número de SERIE del motor para el cual se solicitan las piezas. Usar siempre los números de pieza correctos indicados en la lista de piezas.

Hors de États-Unis, voir la liste ci-jointe pour le Centre de Service Agréé MINN KOTA le plus proche. Lors d'une commande, ne pas oublier de fournir le numéro de modèle et le numéro de série du moteur. Toujours mentionner le numéro de pièce exact figurant sur la liste des pièces de rechange.

Fora da América do Norte, queira consultar a lista anexa para identificar o Centro de Serviço Autorizado MINN KOTA. Não deixe de incluir o número do MODELO e o número de SÉRIE do motor ao pedir peças. Sempre use os números corretos das peças da lista de peças.

1	409026	ENDBELL-FRONT/COIL	*52	2991991	BRACKET BASE BOTTOM/BEARING	108	2264550	FOOT PEDAL BASE
2	406403	BRUSH PLATE ASSEMBLY	*53	2232351	EYELET-ROPE	*109	2266413	PLATE-TENSION SCREW
3	406082	BRUSH SPRING (2 REQ'D)	*54	2263402	SCREW 1/4-20 X 3/4	110	2262650	PIN -CIRCUIT BREAKER
4	406071	BRUSH ASSEMBLY	*55	2263420	BOLT 1/4-20 X 2 (2 REQ'D)	111	2262721	SPRING - RESET PIN
5	406342	BRUSH PLATE SCREW (2 REQ'D)	*56	2261520	SPRING-SLEEVE UPPER	112	2260511	PIN-PIVOT
6	406010	BALL BEARING	*57	2261533	SPRING SLEEVE LWR	*113	2260515	PIN-PULLEY-AXLE
7	406211	ARMATURE ASSEMBLY	*58	2262702	SPRING, BOWGUARD, NIK PL	114	2262300	PULLEY (FOOT PEDAL)
8	405300	E-RING	59	2011385	SCREW-TENSION/NEW KNOB	115	2260000	BEARING-PULLEY
9	406170	THRUST WASHER- STEEL (AS REQ'D)	*60	2262800	TENSION BLOCK -ALUM	116	2261705	WASHER-NYLATRON
10	405171	THRUST WASHER- NYLON (AS REQ'D)	*61	2263100	NUT-1/4-20 INSERT	117	2266400	COVER-PULLEY
11	406490	GASKET	62	2992015	TUBE W/BEARING RACE (42" SHAFT)	118	2301310	SCREW-8-18 X 1/2 (2 REQ'D)
12	406257	CENTER HOUSING FIELD ASSEMBLY		2992016	TUBE W/BEARING RACE (52" SHAFT)	119	2254031	SWITCH-MOM/OFF/COM
13	2006601	DECAL-LOWER UNIT	*63	2272066	TUBE OUTER 18" (42" SHAFT) -ORDER 62	120	2266412	SWITCH PLATE, FT PEDAL
14	406470	O-RING		2272067	TUBE OUTER 24" (52" SHAFT) -ORDER 62	121	2332103	SCREW-6-20 X 3/8 (2 REQ'D)
15	406033	PLAIN END HOUSING	64	2266260	BEARING RACE	122	2268200	CIRCUIT BREAKER 30A
16	406600	FLANGE BEARING (SERVICE ONLY)	65	2266220	BEARING RACE-STEEL	123	2260601	WIRE- CNTG 10GA BREAKER
17	406461	SEAL	66	2266000	BEARING BALL-STEEL (2 REQ'D)	124	2261207	WIRE HARNESS
18	406471	SEAL- CUP	67	2266115	BEARING CONE	125	2267500	CABLE ASSEMBLY-RIGHT (5')
19	405462	O-RING - THRU BOLT (2 REQ'D)	68	2771615	COLLAR HALVES KIT	126	2267510	CABLE ASSEMBLY-LEFT (5')
20	406353	THRU BOLT (2 REQ'D)	69	2263450	SCREW-10-24 X 7/8 (2 REQ'D)	127	2265430	CABLE JACKET (5')
21	2099030	MOTOR-ASSEMBLY 50/SC	70	2260283	CONTROL BOX COVER-MAXXUM	128	2265110	BOOT-CONTROL BOX
22	2032063	TUBE- COMPOSITE 42"	71	2372100	SCREW-8-18 X 5/8 (4 REQ'D)	129	2265115	BOOT-FOOT PEDAL BASE
	2032067	TUBE- COMPOSITE 52"	72	2265518	NR DECAL COVER, MAXXUM 50/SC	130	2372100	SCREW-8-18 X 5/8 (2 REQ'D)
23	2091150	PROPELLER (W.WEDGE)	73	2260150	POINTER DISC TRNSLCNT RED	131	2261714	WASHER- MAXXUM FT PDL
24	2051700	LOCKWASHER-PROP	74	2265800	DECAL-INDICATOR	132	2261900	BRACKET-CONDUIT
25	2053100	NUT-PROP	75	2262530	CONTROL BOX-PLASTIC	133	2031310	SCREW 8-18X1/2 (2 REQ'D)
26	2092600	PIN-DRIVE	76	2375400	SHRINK TUBE 1/4X1-3/4	134	2263210	BRACKET-CONDUIT ADJUSTMENT
27	2771975R	MOUNT, BOW ASSEMBLY (42" SHAFT)	77	2020713	TERMINAL ADAPTOR MAX50/SC (2 REQ'D)	135	2262720	SPRING-CONDUIT ADJUSTMENT
	2771974R	MOUNT, BOW ASSEMBLY (52" SHAFT)	78	2262109	SCREW-8-32 X 1/2 (3 REQ'D)	136	2263460	SCREW-1/4-20 X 2"
28	2264206	ARM UPPER-FW (42" SHAFT)	79	2267800	GEAR-INDICATOR (3 REQ'D)	137	2261224	LEADWIRE/ RING TERMINAL
	2264216	ARM UPPER-FW (52" SHAFT)	80	2262220	INDICATOR-DRIVE	138	2020700	TERMINAL RING, 3/8" (2 REQ'D)
29	2260507	HINGE PIN (THREADED)	81	2261905	BRACKET/INDICATOR	139	2256300	TIE WRAP-5.5" BLACK
30	2293501	BUSHING (4 REQ'D)	82	2264015	LIGHT/INDICATOR	140	2263201	CLAMP WIRE HARNESS MICRO
31	2263500	BOLT, SHOULDER (4 REQ'D)	83	2301310	SCREW-8-18 X 1/2	141	2332103	SCREW-6-20 X 3/8
32	2994305	ARM-LOWER ASSEMBLY STD (42" SHAFT)	84	2263201	CLAMP WIRE HARNESS	142	2260301	CONNECTING WIRE (SWITCH)
	2994345	ARM-LOWER ASSEMBLY LG (52" SHAFT)	85	2301310	SCREW-8-18 X 1/2	143	2260311	CONNECTING WIRE 19 1/4"
33	2999266R	MOTOR REST ASSEMBLY (42" SHAFT)	86	2355410	SHRINK TUBE-3/8 OD X 2"	144	2260320	CONNECTING WIRE-12"
	2999265R	MOTOR REST ASSEMBLY LG (52" SHAFT)	87	2335400	SHRINK TUBE-1/2 OD X 2" (2 REQ'D)	145	22666411	BOTTOM PLATE A/T FT PDL
34	2261505	SPACER, MOTOR REST (6 REQ'D)	88	2232360	PULLEY-CABLE DRUM	146	9953104	SCREW-8X1/2 (8 REQ'D)
35	2251962	BOW PLATE (42" SHAFT)	89	2261730	WASHER-NYLON	147	2265606	DECAL - ALL TERRAIN
	2251972	BOW PLATE (52" SHAFT)	*90	2267805	PINION DRIVE	148	2994830	BAG ASSEMBLY-MAXXUM FW
36	2251601	ROPE- 40"	*91	2266246	TOP BEARING RACE	*149	2263431	SCREW 1/4-20 X 3.5 (6 REQ'D) ORDER 148
37	2150400	PULL-GRIP	92	2263410	SCREW-8-32 X 5/16 (2 REQ'D)	*150	2263435	SCREW 1/4-20 X 3.5 (2 REQ'D) ORDER 148
38	2261707	WASHER 3/8X1/2	93	2992020	FOOT PEDAL ASSEMBLY 5 SPEED	*151	2261713	WASHER-1/4 FLAT (6 REQ'D) ORDER 148
39	2236000	BEARING NYLINER (2 REQ'D)	94	2790002	FOOT PEDAL/PLUG ASSEMBLY	*152	2263102	NUT-1/4-20 (6 REQ'D) ORDER 148
40	2263434	SCREW-8-18X1 (2 REQ'D)	95	2263700	PUSH-BUTTON, FOOT PEDAL	*153	2301720	WASHER-MOUNTING, RUBBER (6 REQ'D) ORDER 148
41	2152610	SPRING-PIN (LOCKBAR) (2 REQ'D)	96	2302732	SPRING-LOWER PEDAL			NOT SHOWN- FOR 52" SHAFT ONLY
42	2233600	LOCK BAR- BOW MOUNT	97	2264023	SWITCH-SEALED ASSEMBLY	2260330		WIRE EXTENSION 10GA BLACK
43	2233602	LOCK BAR- REAR	98	2262114	SCREW-MOUNTING/SWITCH (2 REQ'D)	2260331		WIRE EXTENSION 10GA RED
44	2152700	SPRING-(LOCKBAR)	99	2233100	NUT-SWITCH MOUNT (2 REQ'D)	2260332		WIRE EXTENSION 16 GA WHITE
45	2151700	WASHER-EYE SHAFT .562 OD	100	2264026	SWITCH -5 SPEED	2260333		WIRE EXTENSION 16GA YELLOW
46	2153603	EYE SHAFT -2LOCKBAR (42" SHAFT)	101	2261701	LOCKWASHER-STAR	2355410		SHRINK TUBE 3/8X2 (2 REQ'D)
	2153605	EYE SHAFT -2LOCKBAR (52" SHAFT)	102	2263105	NUT- HEX	2375400		SHRINK TUBE 1/4X1-3/4 (2 REQ'D)
47	2260506	HINGE-PIN (HEADLESS) ZINC	103	2261715	SPACER- SWITCH 5 SPEED			
48	2293810	YOKER, MAXXUM MOUNT	104	2260170	KNOB-SPEED CONTROL			
49	2991988	BOWGUARD ASSEMBLY FT CTRL XL MAX	105	2263000	E-RING			
50	2271935	BRACKET ASSEMBLY (INCL 37-46)	106	2260730	CONNECTOR -MALE TAB			
*51	2991992	BRACKET BASE-TOP/INSERT	107	2332103	SCREW 6-20X3/8 THD			

* This item is part of an assembly. This item cannot be sold separately due to machining and/or assembly that is required.

Max 50/SC

