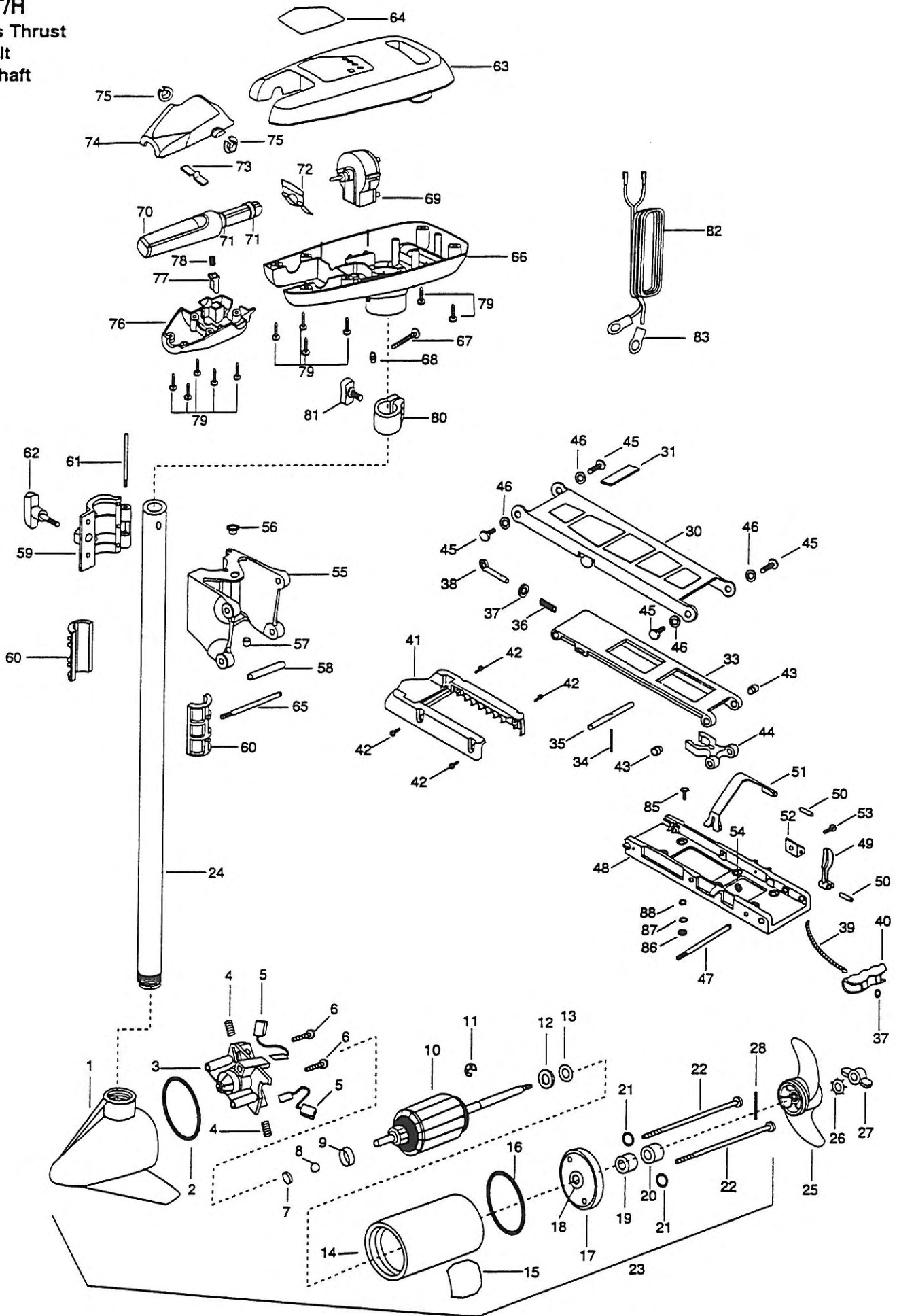


**36AT/H**  
36 lbs Thrust  
12 Volt  
42" Shaft



JWA MARINE, 70 Lane, Mankato, Minnesota 56001. In Canada, parts may be ordered from any Canadian Authorized Service Centers shown on the enclosed list. Be sure to provide MODEL and SERIAL numbers of your motor when ordering parts. Please use the correct part numbers from the parts list. Payment for any parts ordered from the MINN KOTA parts department, may be by cash, personal check, Discover Card MasterCard or VISA. To order, call 1-800-227-6433 or FAX 1-800-527-4464.

Fuera de los Estados Unidos, consultar la lista anexa para ubicar el Centro de servicio autorizado MINN KOTA. No dejar de incluir el número del MODELO y el número de SERIE del motor para el cual se solicitan las piezas. Usar siempre los números de pieza correctos indicados en la lista de piezas.

Hors de États-Unis, voir la liste ci-jointe pour le Centre de Service Agréé MINN KOTA le plus proche. Lors d'une commande, ne pas oublier de fournir le numéro de modèle et le numéro de série du moteur. Toujours mentionner le numéro de pièce exact figurant sur la liste des pièces de rechange.

Fora da América do Norte, queira consultar a lista anexa para localizar o Centro de Serviço Autorizado MINN KOTA. Não deixe de incluir o número do MODELO e o número de SÉRIE do seu motor ao pedir peças. Sempre use os números corretos das peças da lista de peças.

| Item | Part No. | Description                       | Item | Part No. | Description                       | Item | Part No. | Description                         |
|------|----------|-----------------------------------|------|----------|-----------------------------------|------|----------|-------------------------------------|
| 1    | 406-027  | Brush End Housing w/Spd Coil      | *33  | 225-4342 | Arm- Lower ( order item 32 )      | 66   | 206-2551 | Control Box                         |
| 2    | 403-460  | O-Ring                            | 34   | 215-2610 | Spring Pin                        | 67   | 203-3400 | Screw 10-24 X 1-3/4                 |
| 3    | 406-405  | Brush Plate w/ Bearing            | 35   | 223-3600 | Lock Bar                          | 68   | 201-3110 | Hex Nut                             |
| 4    | 406-081  | Brush Spring ( 2 req'd )          | 36   | 215-2700 | Spring-Lockbar                    | 69   | 206-4023 | Switch- 5 Spd, For/Rev              |
| 5    | 406-072  | Brush Assembly ( 2 req'd )        | 37   | 215-1700 | Washer- Eye Shaft ( 2 req'd )     | 70   | 299-0911 | Handle Assembly w/ U-Joint          |
| 6    | 406-341  | Brush Plate Screw ( 2 req'd )     | 38   | 215-3600 | Eye Shaft                         | 71   | 206-0000 | Handle Bearing ( 2 req'd )          |
| 7    | 403-050  | Thrust Disc                       | 39   | 225-1600 | Rope 31"                          | 72   | 230-2743 | Spring- Detent (Handle)             |
| 8    | 403-010  | Thrust Ball                       | 40   | 215-0400 | Pull Grip                         | 73   | 230-2742 | Spring- Detent ( Off )              |
| 9    | 406-090  | Brush Holder                      | 41   | 226-3900 | Motor Rest                        | 74   | 206-0410 | Handle- Top Half                    |
| 10   | 405-205  | Armature Assembly                 | 42   | 230-3431 | Screw 1/4-20X5/8 ( 4 req'd )      | 75   | 206-0005 | Bearing- Handle Pivot ( 2 req'd )   |
| 11   | 405-300  | E-Ring                            | 43   | 223-6000 | Bearing- Nyloner ( 2 req'd )      | 76   | 206-0415 | Handle- Lower Half                  |
| 12   | 406-170  | Thrust Washer- Steel ( as req'd ) | 44   | 229-3801 | Tube Lock                         | 77   | 230-3720 | Release Button                      |
| 13   | 405-171  | Thrust Washer- Nylon ( as req'd ) | 45   | 229-3511 | Bolt- Upper Arm ( 4 req'd )       | 78   | 230-2745 | Spring- Release Button              |
| 14   | 405-259  | Center Section w/Magnets          | 46   | 229-3500 | Bushing- Shoulder ( 4 req'd )     | 79   | 230-3412 | Screw 6-20 X5/8 ( 11 req'd )        |
| 15   | 200-6609 | Decal                             | 47   | 223-0500 | Pin-Hinge                         | 80   | 203-1520 | Collar- Depth                       |
| 16   | 406-460  | O-Ring                            | 48   | 225-1942 | Bow Plate                         | 81   | 201-1365 | Screw- Collar/Knob                  |
| 17   | 406-035  | Plain End Housing                 | 49   | 226-7200 | Latch Lever                       | 82   | 209-0600 | Leadwire- w/ Rings                  |
| 18   | 406-600  | Flange Bearing ( service only )   | 50   | 226-0500 | Pin- Roll Latch Lever ( 2 req'd ) | 83   | 202-0700 | Terminal Ring ( 2 req'd )           |
| 19   | 406-461  | Seal                              | 51   | 226-3800 | Strap- Hold Down                  | 84   | 299-4803 | Bag Assembly ( 92—95 )              |
| 20   | 406-471  | Seal- cup                         | 52   | 226-1910 | Bracket- Hold Down Strap          | *85  | 215-3501 | Mounting Bolt ( 4 req'd )           |
| 21   | 401-462  | O-Ring- Thru Bolt ( 2 req'd )     | 53   | 226-3440 | Screw 10-24 X3/4                  | *86  | 215-3100 | Mounting Nut ( 4 req'd )            |
| 22   | 405-352  | Thru Bolt ( 2 req'd )             | 54   | 233-3101 | Nut- Hex                          | *87  | 215-1726 | Flat Washer ( 4 req'd )             |
| 23   | 206-9041 | Motor Assembly                    | 55   | 226-1811 | Hinge Base                        | *88  | 230-1720 | Mounting Washer- Rubber ( 6 req'd ) |
| 24   | 203-2053 | Tube 42"                          | *56  | 223-2350 | Eyelet- Rope                      |      |          |                                     |
| 25   | 206-1125 | Propeller                         | *57  | 226-4705 | Insert-Hinge Base                 |      |          |                                     |
| 26   | 205-1700 | Lockwasher                        | 58   | 223-1570 | Sleeve- Roller                    |      |          |                                     |
| 27   | 205-3100 | Nut- Prop                         | 59   | 226-1821 | Hinge Door                        |      |          |                                     |
| 28   | 209-2600 | Pin- Drive                        | 60   | 215-1531 | Hinge Sleeve Half ( 2 req'd )     |      |          |                                     |
| 29   | 299-1970 | Std BowMt FW H/Ctrl ( 30 — 62 )   | 61   | 226-2640 | Pin- Hinge Door                   |      |          |                                     |
| 30   | 226-4201 | Arm- Upper                        | 62   | 226-0180 | Knob- Hinge Cover                 |      |          |                                     |
| 31   | 226-5120 | Bumper                            | 63   | 226-0210 | Cover- Control Box                |      |          |                                     |
| 32   | 277-4302 | Arm- Lower Assembly ( 33 — 40 )   | 64   | 218-5600 | Decal- Cover                      |      |          |                                     |
|      |          |                                   | 65   | 226-0506 | Hinge Pin- Headless               |      |          |                                     |

\* This item is part of an assembly. This item cannot be sold separately due to machining and /or assembly that is required.

