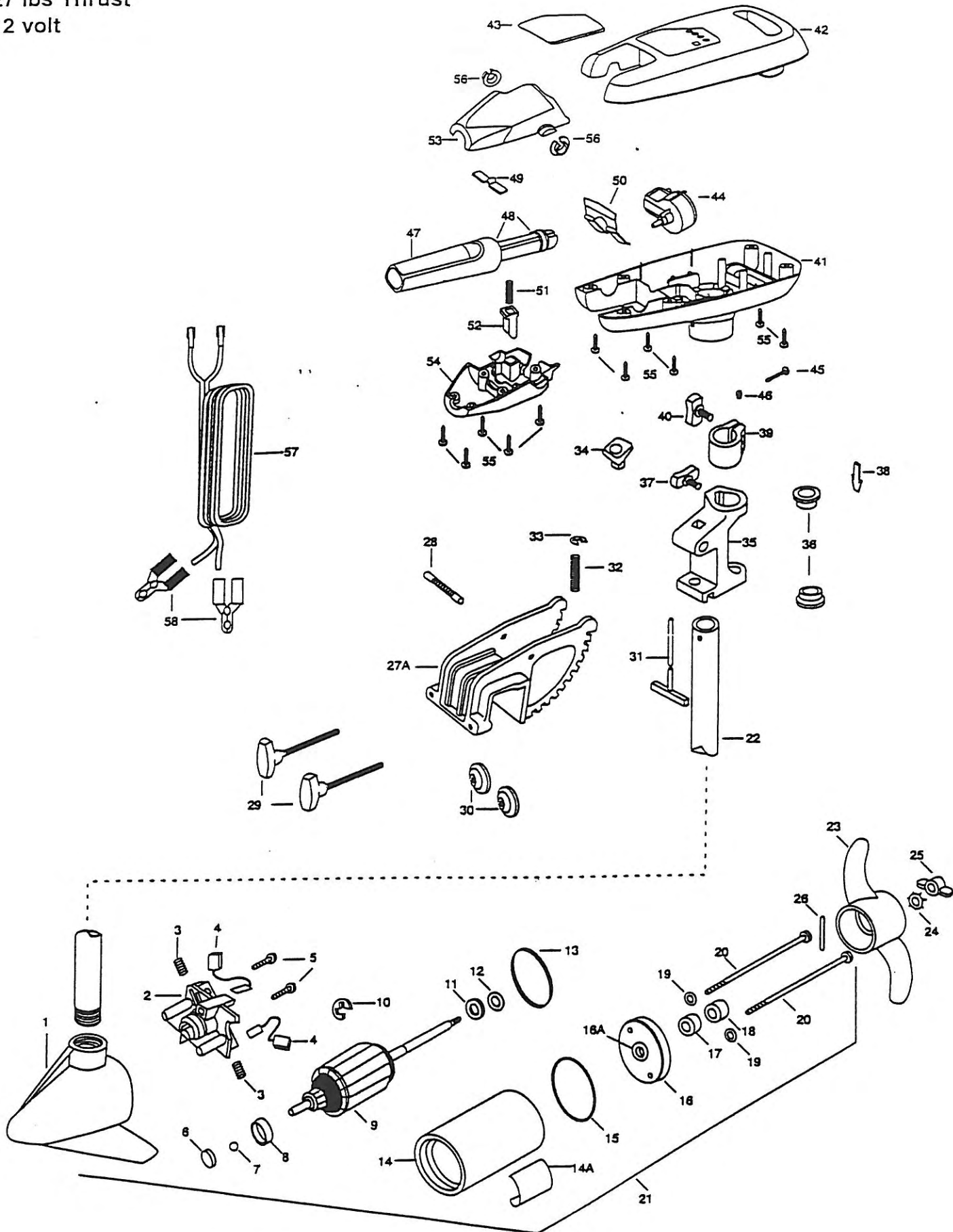


35T  
27 lbs Thrust  
12 volt



numbers of your motor when ordering parts. Please use the correct part numbers from the parts list. Payment for any parts ordered from the MINN KOTA parts department, may be by cash, personal check, Discover Card MasterCard or Visa. To order, call 1-800-227-6433 or FAX 1-800-527-4484.

Ne pas oublier de fournir les numéros de Modèle et de Série of Moteur lorsque vous placez une commande. Employez toujours le numéro de pièce exact se trouvant sur la list des pièces de remplacement.

para identificar o Centro de Serviço Autorizado MINN KOTA. Não deixe de incluir o número do MODELO e o número de SÉRIE do seu motor ao pedir peças. Sem estes os números corretos das peças da lista de peças.

- |     |         |   |    |         |  |
|-----|---------|---|----|---------|--|
| 1   | 403025  | BRUSH END HOUSING W/ SP COIL                    | 31 | 2033602 | T-BAR                                  |
| 2   | 406405  | BRUSH PLATE ASSEMBLY                            | 32 | 2012700 | SPRING-T-BAR                           |
| 3   | 406081  | BRUSH SPRING ( 2 REQ'D )                        | 33 | 2013000 | E-RING                                 |
| 4   | 406072  | BRUSH ASSEMBLY ( 2 REQ'D )                      | 34 | 2010111 | KNOB-TILT                              |
| 5   | 406341  | BRUSH PLATE SCREW ( 2 REQ'D )                   | 35 | 2031831 | HINGE                                  |
| 6   | 403050  | THRUST DISK                                     | 36 | 2037300 | BUSHING-HINGE ( 2 REQ'D )              |
| 7   | 403010  | BALL  | 37 | 2011385 | SCREW-TENSION W/NEW KNOB               |
| 8   | 406090  | BRUSH HOLDER                                    | 38 | 2032800 | TENSION BLOCK-- "SNAP IN"              |
| 9   | 403207  | ARMATURE ASSEMBLY                               | 39 | 2031520 | COLLAR-DEPTH ( W/O INSERT )            |
| 10  | 405300  | E-RING  | 40 | 2011365 | SCREW-COLLAR W/NEW KNOB                |
| 11  | 406170  | THRUST WASHER- STEEL ( AS REQ'D )               | 41 | 2062551 | CONTROL BOX                            |
| 12  | 405171  | THRUST WASHER- NYLON ( AS REQ'D )               | 42 | 2060260 | CONTROL BOX COVER- ( RED )             |
| 13  | 403460  | O-RING  | 43 | 2035881 | DECAL COVER-35T                        |
| 14  | 403255  | CENTER SECTION W/MAGNETS                        | 44 | 2084023 | SWITCH-FWD/REV COMBO-5 SP              |
| 14A | 2006809 | DECAL MOTOR                                     | 45 | 2033400 | SCREW-10-24 X 1-3/4                    |
| 15  | 408460  | O-RING  | 46 | 2013110 | NUT-HEX ( ZINC/CAD PLATE )             |
| 16  | 406032  | REAR ENDBELL                                    | 47 | 2990911 | HANDLE ASSEMBLY W/U-JOINT 5SP          |
| 16A | 406600  | FLANGE BEARING ( SERVICE ONLY )                 | 48 | 2060000 | HANDLE BEARING ( 2 REQ'D )             |
| 17  | 406461  | SEAL  | 49 | 2302742 | SPRING-DETENT (OFF) (SS)               |
| 18  | 406471  | SEAL- CUP                                       | 50 | 2302743 | SPRING-DETENT ( HANDLE )               |
| 19  | 401462  | O-RING —THRU BOLT( 2 REQ'D )                    | 51 | 2302745 | SPRING-RELEASE BUTTON (SS)             |
| 20  | 403354  | THRU BOLT ( 2 REQ'D )                           | 52 | 2303720 | RELEASE BUTTON-HANDLE                  |
| 21  | 2069060 | MOTOR-ASSEMBLY                                  | 53 | 2060410 | HANDLE ( TOP HALF )                    |
| 22  | 2032051 | TUBE (COMPOSITE) 30"                            | 54 | 2060415 | HANDLE (LOWER HALF)                    |
| 23  | 2061125 | PROP ( WEEDLESS WEDGE)                          | 55 | 2303412 | SCREW-6-20 X 5/8 SELF TAP ( 11 REQ'D ) |
| 24  | 2051700 | LOCKWASHER-PROP ( MEDIUM )                      | 56 | 2060005 | BEARING-HANDLE PIVOT ( 2 REQ'D )       |
| 25  | 2053100 | NUT-PROP ( MEDIUM )                             | 57 | 2050600 | LEADWIRE ( 10 GA W/CLIPS )             |
| 26  | 2092600 | PIN-DRIVE (SS)                                  | 58 | 2010700 | BATTERY CLIPS ( 2 REQ'D )              |
| 27  | 2991800 | BRACKET & HINGE ASSEMBLY( INCLUDES 27A, 28-39 ) |    | 403274  | REPLACEMENT SPEED COIL ( NOT SHOWN )   |
| 27A | 2031910 | BRACKET ( ORDER 27B )                           |    |         |  |
| 27B | 2771907 | BRACKET ASSEMBLY( INCLUDES 27A, 29-30 )         |    |         |  |
| 28  | 2010511 | PIN-HINGE                                       |    |         |  |
| 29  | 2011375 | SCREW-CLAMP ( 2 REQ'D )                         |    |         |  |
| 30  | 2011710 | WASHER-CLAMP SCREW ( 2 REQ'D )                  |    |         |  |

35T

PARTS LIST

TRANSOM

TURBO MODELS

