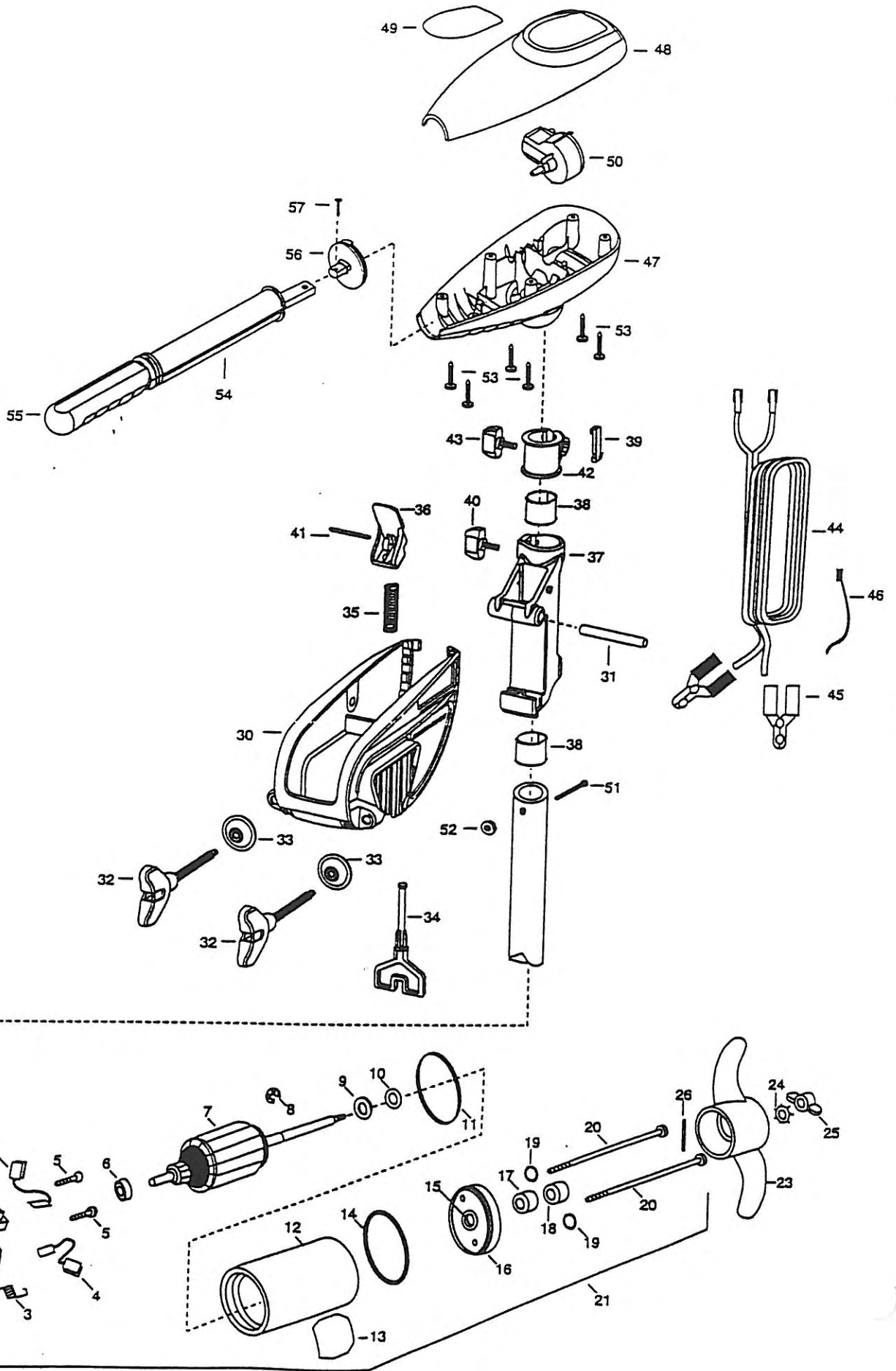


Model 48  
48 lbs. thrust  
12 volt



Numbers of your motor when ordering parts. Please use the correct part numbers from the parts list. Payment for any parts ordered from the MINN KOTA parts department, may be by cash, personal check, Discover Card or VISA. To order call 1-800-227-8433 or FAX 1-800-527-4464.

Né pas oublier de fournir les numéros de Modèle et de Série de votre Moteur lorsque vous placez une commande. Employez toujours le numéro de pièce exact se trouvant sur la liste des pièces de remplacement.

Não deixe de incluir o número do MODELO e o número da SÉRIE do seu motor ao pedir peças. Sempre use os números corretos das peças da lista de peça

- |     |         |   |     |         |                            |
|-----|---------|---|-----|---------|----------------------------|
| 1   | 409026  | BRUSH END HOUSING W/COIL                  | 39  | 2032800 | TENSION BLOCK-SNAP IN      |
| 2   | 406403  | BRUSH PLATE ASSY 3.5/8 DIA                | 40  | 2061310 | SCREW, TENSION/KNOB        |
| 3   | 406082  | SPRING- BRUSH (2 REQ'D)                   | 41  | 2060515 | PIN, TILT LEVER            |
| 4   | 406071  | BRUSH (2 REQ'D)                           | 42  | 2061520 | COLLAR-DEPTH               |
| 5   | 406342  | BRUSH PLATE SCREW (2 REQ'D)               | 43  | 2011385 | SCREW- COLLAR/NEW KNOB     |
| 6   | 406010  | BALL BEARING                              | 44  | 2050600 | LEADWIRE (10 GA) CLIPS     |
| 7   | 406211  | ARMATURE ASSEMBLY                         | 45  | 2010700 | BATTERY CLIP (2 REQ'D)     |
| 8   | 405300  | E-RING-ARMATURE                           | 46  | 2026300 | TIE WRAP                   |
| 9   | 406170  | WASHER-THRUST (STEEL)                     | 47  | 2062510 | CONTROL BOX                |
| 10  | 405171  | WASHER-NYLATRON THRUST                    | 48  | 2060211 | CONTROL BOX COVER-BLACK    |
| 11  | 406490  | GASKET                                    | 49  | 2065539 | DECAL- COVER SPIDER 48     |
| 12  | 406257  | CENTER HOUSING FIELD ASSY                 | 50  | 2064023 | SWITCH-FWD/REV 5 SP        |
| 13  | 2006609 | DECAL,MOT-LWR UN STGR/LN                  | 51  | 2033400 | SCREW-10-24 X 1-3/4        |
| 14  | 406470  | O-RING                                    | 52  | 2013110 | NUT-10-24 HEX              |
| 15  | 406600  | BEARING-(FLANGE,SERVICE ONLY)             | 53  | 2012100 | SCREW-8-18 X 5/8 (6 REQ'D) |
| 16  | 406033  | PLAIN END HOUSING                         | 54  | 2990901 | HANDLE ASSEMBLY 5 SPEED    |
| 17  | 406461  | SEAL                                      | *55 | 2060422 | GRIP-HANDLE                |
| 18  | 406471  | SEAL-W/CUP                                | 56  | 2060405 | PIVOT, HANDLE              |
| 19  | 405462  | O-RING THRU BOLT (2 REQ'D)                | 57  | 2012102 | SCREW                      |
| 20  | 406353  | THRU BOLT (2 REQ'D)                       |     | 2265603 | DECAL- SPIDER CONTORL BOX  |
| 21  | 2099030 | MOTOR ASSEMBLY                            |     |         |                            |
| 22  | 2032052 | TUBE COMPOSITE 36"                        |     |         |                            |
| 23  | 2091150 | PROPELLER (W.WEDGE)                       |     |         |                            |
| 24  | 2051700 | LOCKWASHER-PROP (MEDIUM)                  |     |         |                            |
| 25  | 2053100 | NUT-PROP (MEDIUM)                         |     |         |                            |
| 26  | 2092600 | PIN-DRIVE                                 |     |         |                            |
| 28  | 2771810 | BRACKET & HINGE ASSY (INCLUDES- 29—41)    |     |         |                            |
| 29  | 2771910 | BRACKET & HINGE ASSY (INCLUDES- 30,32,33) |     |         |                            |
| *30 | 2081910 | BRACKET-ORDER 29                          |     |         |                            |
| *31 | 2060510 | PIN-HINGE                                 |     |         |                            |
| *32 | 2081300 | SCREW-CLAMP (2 REQ'D)                     |     |         |                            |
| 33  | 2011710 | WASHER-CLAMP SCREW (2 REQ'D)              |     |         |                            |
| 34  | 2063605 | T-BAR, PLASTIC                            |     |         |                            |
| 35  | 2062705 | SPRING- (T-BAR)                           |     |         |                            |
| 36  | 2067200 | LEVER-TILT (RED)                          |     |         |                            |
| 37  | 2061810 | HINGE-PLASTIC                             |     |         |                            |
| 38  | 2037300 | BUSHING-HINGE (2 REQ'D)                   |     |         |                            |

PARTS LIST

Spider 48

This item is part of an assembly. This item cannot be sold separately due to machining and /or assembly that is required.

