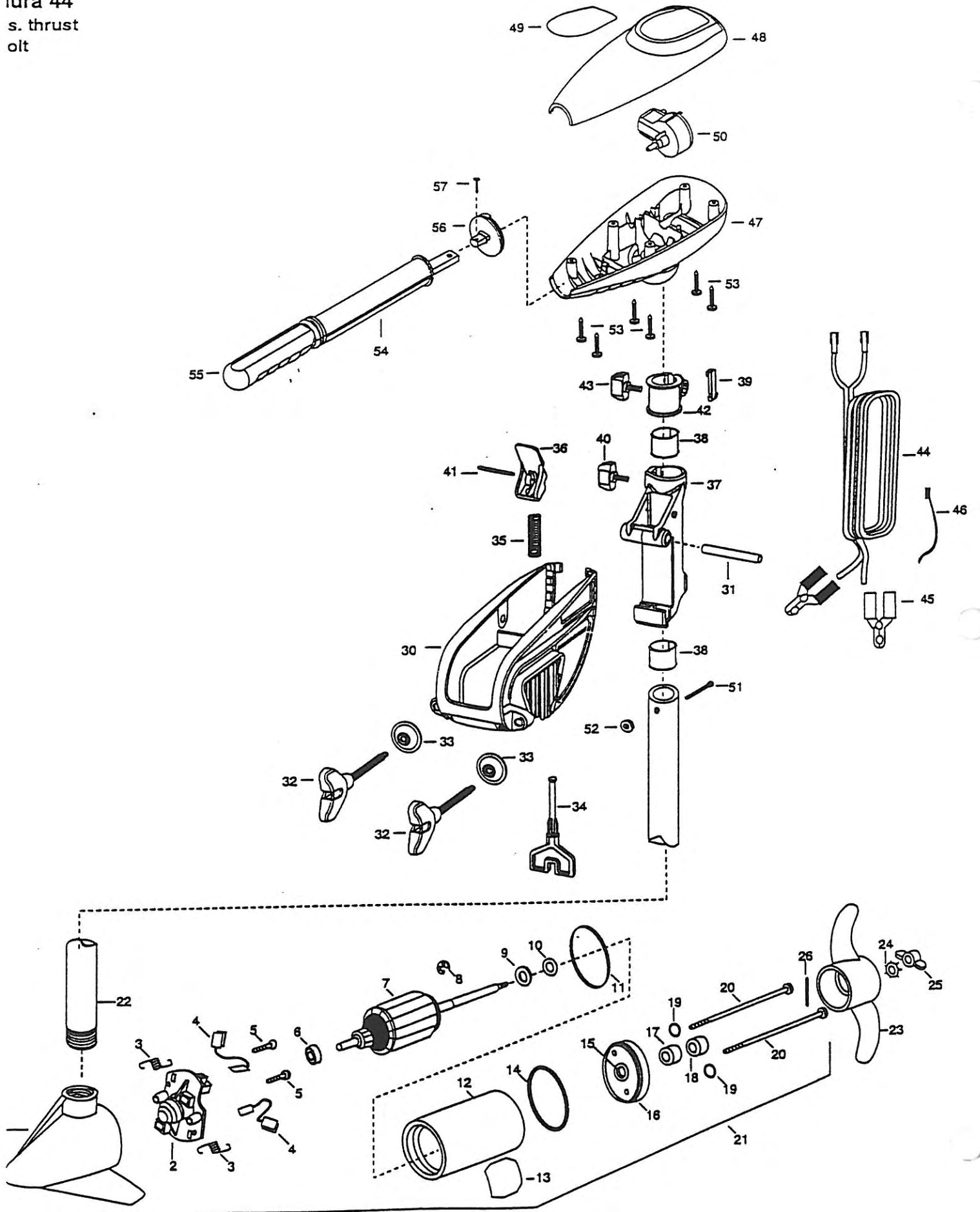


lura 44
s. thrust
olt



Numbers of your motor when ordering parts. Please use the correct part numbers from the parts list. Payment for any parts ordered from AINN KOTA parts department, may be by cash, personal check, Discover or MasterCard or VISA. To order, call 1-800-227-8433 or FAX 1-800-527-4464.

N'oubliez pas de fournir les numéros de Modèle et de Série de votre Moteur lorsque vous placez une commande. Employez le numéro de pièce exact se trouvant sur la liste des pièces de remplacement.

Não deixe de incluir o número do MODELO e número de SÉRIE do seu motor ao pedir peças. Sempre use os números corretos das peças da lista de peças.

- | | | | | | |
|---------|---------|---|-----|---------|----------------------------|
| 1 | 409028 | BRUSH END HOUSING W/COIL | 38 | 2037300 | BUSHING-HINGE (2 REQ'D) |
| 2 | 406403 | BRUSH PLATE ASSY 3.5/8 DIA | 39 | 2032800 | TENSION BLOCK-SNAP IN |
| 3 | 406082 | SPRING- BRUSH (2 REQ'D) | 40 | 2061310 | SCREW, TENSION/KNOB |
| 4 | 406071 | BRUSH (2 REQ'D) | 41 | 2060515 | PIN, TILT LEVER |
| 5 | 406342 | BRUSH PLATE SCREW (2 REQ'D) | 42 | 2061520 | COLLAR-DEPTH |
| 6 | 406010 | BALL BEARING | 43 | 2011385 | SCREW-TENSION/NEW KNOB |
| 7 | 406208 | ARMATURE ASSEMBLY | 44 | 2050800 | LEADWIRE (10 GA) CLIPS |
| 8 | 405300 | E-RING-ARMATURE | 45 | 2010700 | BATTERY CLIP (2 REQ'D) |
| 9 | 406170 | WASHER-THRUST (STEEL) | 46 | 2026300 | TIE WRAP |
| 10 | 405171 | WASHER-NYLATRON THRUST | 47 | 2062510 | CONTROL BOX |
| 11 | 406490 | GASKET | 48 | 2060209 | CONTROL BOX COVER |
| 12 | 409259 | CENTER HOUSING FIELD ASSY | 49 | 2065536 | DECAL COVER ENDURA 44 |
| 13 | 2006609 | DECAL,MOT-LWR UN STGR/LN | 50 | 2064023 | SWITCH-FWD/REV 5 SP |
| 14 | 406470 | O-RING | 51 | 2033400 | SCREW-10-24 X 1-3/4 |
| 15 | 406600 | BEARING-(FLANGE,SERVICE ONLY) | 52 | 2013110 | NUT-10-24 HEX |
| 16 | 406033 | PLAIN END HOUSING | 53 | 2012100 | SCREW-8-18 X 5/8 (6 REQ'D) |
| 17 | 406461 | SEAL | 54 | 2990901 | HANDLE ASSEMBLY 5 SPEED |
| 18 | 406471 | SEAL-W/CUP | *55 | 2060422 | GRIP-HANDLE |
| 19 | 405462 | O-RING THRU BOLT (2 REQ'D) | 56 | 2060405 | PIVOT, HANDLE |
| 20 | 406353 | THRU BOLT (2 REQ'D) | 57 | 2012102 | SCREW |
| 21 | 2099061 | MOTOR ASSEMBLY | | | |
| 22 | 2032052 | TUBE COMPOSITE 36" | | | |
| | 2032053 | TUBE COMPOSITE 42" | | | |
| 2091150 | 23 | 2061125 PROPELLER (W.WEDGE) | | | |
| | 24 | 2051700 LOCKWASHER-PROP (MEDIUM) | | | |
| | 25 | 2053100 NUT-PROP (MEDIUM) | | | |
| | 26 | 2092600 PIN-DRIVE | | | |
| | 28 | 2771810 BRACKET & HINGE ASSY (INCLUDES- 29—41) | | | |
| | 29 | 2771910 BRACKET & HINGE ASSY (INCLUDES- 30,32,33) | | | |
| | *30 | 2061910 BRACKET-ORDER 29 | | | |
| | 31 | 2060510 PIN-HINGE | | | |
| | *32 | 2061300 SCREW-CLAMP (2 REQ'D) | | | |
| | *33 | 2011710 WASHER-CLAMP SCREW (2 REQ'D) | | | |
| | 34 | 2063605 T-BAR, PLASTIC | | | |
| | 35 | 2062705 SPRING- (T-BAR) | | | |
| | 36 | 2067200 LEVER-TILT (RED) | | | |
| | 37 | 2061810 HINGE-PLASTIC | | | |

PARTS LIST

endura 44

This item is part of an assembly. This item cannot be sold separately due to machining and/or assembly that is required.

