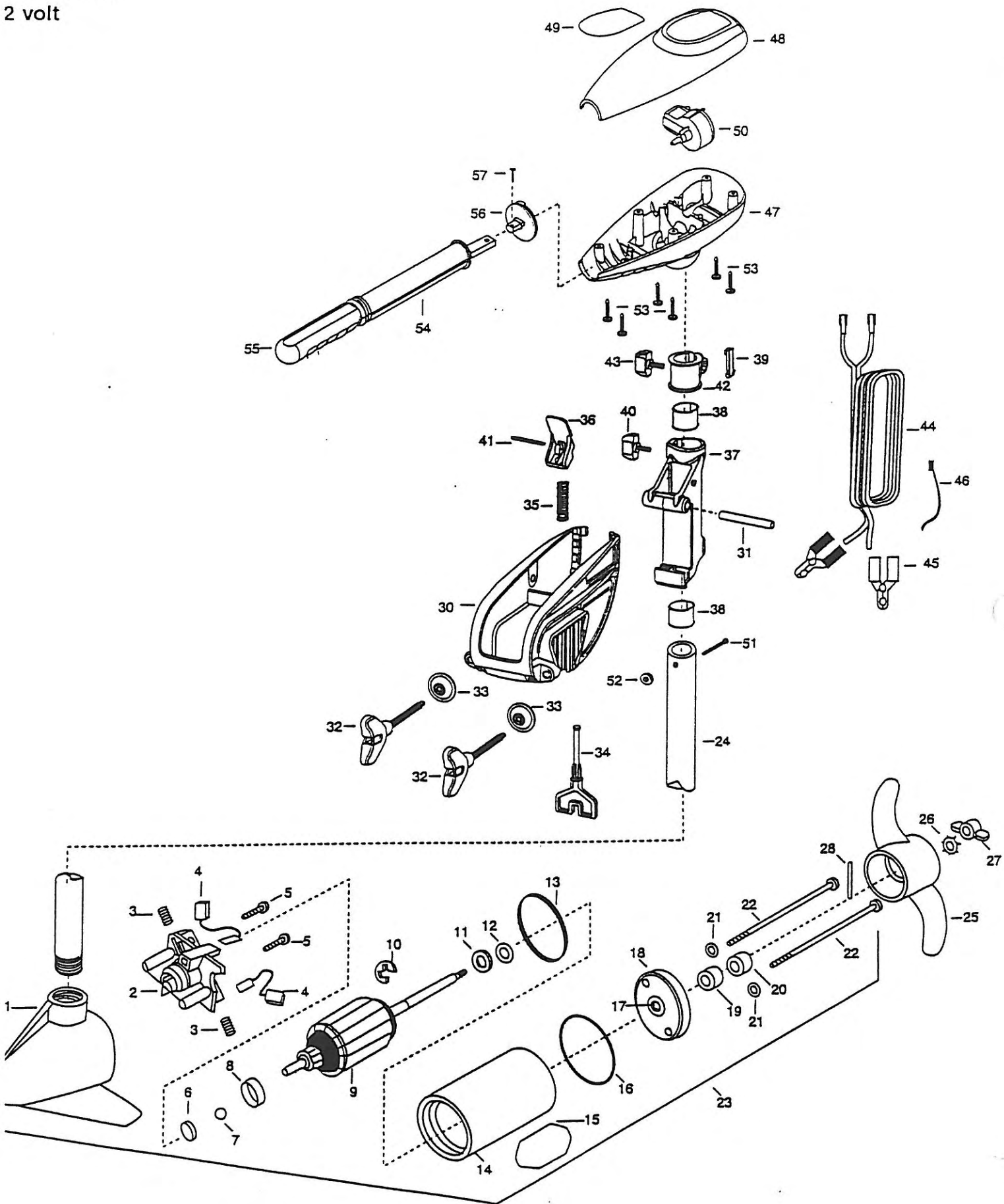


ndura 34
4 lbs Thrust
2 volt



Authorized Service Centers shown on the enclosed list. Be sure to provide the MODEL and SERIAL numbers of your motor when ordering parts. Please use the correct part numbers from the parts list. Payment for any parts ordered from the MINN KOTA parts department, may be by cash, personal check, Discover Card, MasterCard or VISA. To order, call 1-800-227-6433 or FAX 1-800-527-4464.

pour le Centre de Service Agréé MINN KOTA le plus proche. Ne pas oublier de fournir les numéros de Modèle et de Série de votre Moteur lorsque vous placez une commande. Employez toujours le numéro de pièce exact se trouvant sur la list des pièces de remplacement.

para identificar o Centro de Serviço Autorizado MINN KOTA. Não deixe de incluir o número do MODELO e número de SÉRIE do seu motor ao pedir peças. Sempre forneça os números corretos das peças da lista de peças.

- | | | | | | |
|-----|---------|---|-----|---------|----------------------------|
| 1 | 403025 | BRUSH END HOUSING W/POTTED COIL | 37 | 2081810 | HINGE-PLASTIC |
| 2 | 406405 | BRUSH PLATE ASSEMBLY | 38 | 2037300 | BUSHING-HINGE (2 REQ'D) |
| 3 | 406081 | BRUSH SPRING (2 REQ'D) | 39 | 2032800 | TENSION BLOCK-SNAP IN |
| 4 | 406072 | BRUSH ASSEMBLY (2 REQ'D) | 40 | 2081310 | SCREW, TENSION/KNOB |
| 5 | 408341 | BRUSH PLATE SCREW (2 REQ'D) | 41 | 2060515 | PIN, TILT LEVER |
| 6 | 403050 | THRUST DISK | 42 | 2081520 | COLLAR-DEPTH |
| 7 | 403010 | THRUST BALL | 43 | 2011385 | SCREW-TENSION/NEW KNOB |
| 8 | 406090 | BRUSH HOLDER | 44 | 2020800 | LEADWIRE (14 GA) CLIPS |
| 9 | 403207 | ARMATURE ASSEMBLY | 45 | 2020721 | CLAMP, ELECTRIC (2 REQ'D) |
| 10 | 405300 | E-RING | 46 | 2026300 | TIE WRAP |
| 11 | 406170 | THRUST WASHER- STEEL (AS REQ'D) | 47 | 2082510 | CONTROL BOX |
| 12 | 405171 | THRUST WASHER- NYLON (AS REQ'D) | 48 | 2060209 | CONTROL BOX COVER |
| 13 | 403460 | O-RING | 49 | 2065533 | DECAL COVER ENDURA |
| 14 | 403257 | CENTER SECTION W/MAGNETS | 50 | 2084023 | SWITCH-FWD/REV 5 SP |
| 15 | 2006609 | DECAL MOTOR | 51 | 2033400 | SCREW-10-24 X 1-3/4 |
| 16 | 406460 | O-RING | 52 | 2013110 | NUT-10-24 HEX |
| 17 | 406800 | FLANGE BEARING (SERVICE ONLY) | 53 | 2012100 | SCREW-8-18 X 5/8 (6 REQ'D) |
| 18 | 403033 | PLAIN END HOUSING | 54 | 2990901 | HANDLE ASSEMBLY 5 SPEED |
| 19 | 408461 | SEAL | *55 | 2080422 | GRIP-HANDLE |
| 20 | 408471 | SEAL- CUP | 56 | 2060405 | PIVOT, HANDLE |
| 21 | 401462 | O-RING —THRU BOLT(2 REQ'D) | 57 | 2012102 | SCREW |
| 22 | 403354 | THRU BOLT (2 REQ'D) | | | |
| 23 | 2089061 | MOTOR ASSEMBLY | | | |
| 24 | 2032046 | TUBE, COMPOSITE 36" | | | |
| 25 | 2081125 | PROP 3.25" HUB | | | |
| 26 | 2051700 | LOCKWASHER-PROP (MEDIUM) | | | |
| 27 | 2053100 | NUT-PROP (MEDIUM) | | | |
| 28 | 2092600 | PIN-DRIVE | | | |
| 29 | 2771810 | BRACKET & HINGE ASSY (INCLUDES- 29A—41) | | | |
| 29A | 2771910 | BRACKET & HINGE ASSY (INCLUDES- 30,32,33) | | | |
| *30 | 2081910 | BRACKET-ORDER 29A | | | |
| 31 | 2060510 | PIN-HINGE | | | |
| *32 | 2081300 | SCREW-CLAMP (2 REQ'D) | | | |
| *33 | 2011710 | WASHER-CLAMP SCREW (2 REQ'D) | | | |
| 34 | 2083605 | T-BAR, PLASTIC | | | |
| 35 | 2062705 | SPRING- (T-BAR) | | | |
| 36 | 2087200 | LEVER-TILT (RED) | | | |

endura 34

This item is part of an assembly. This item cannot be sold separately due to machining and /or assembly that is required.

