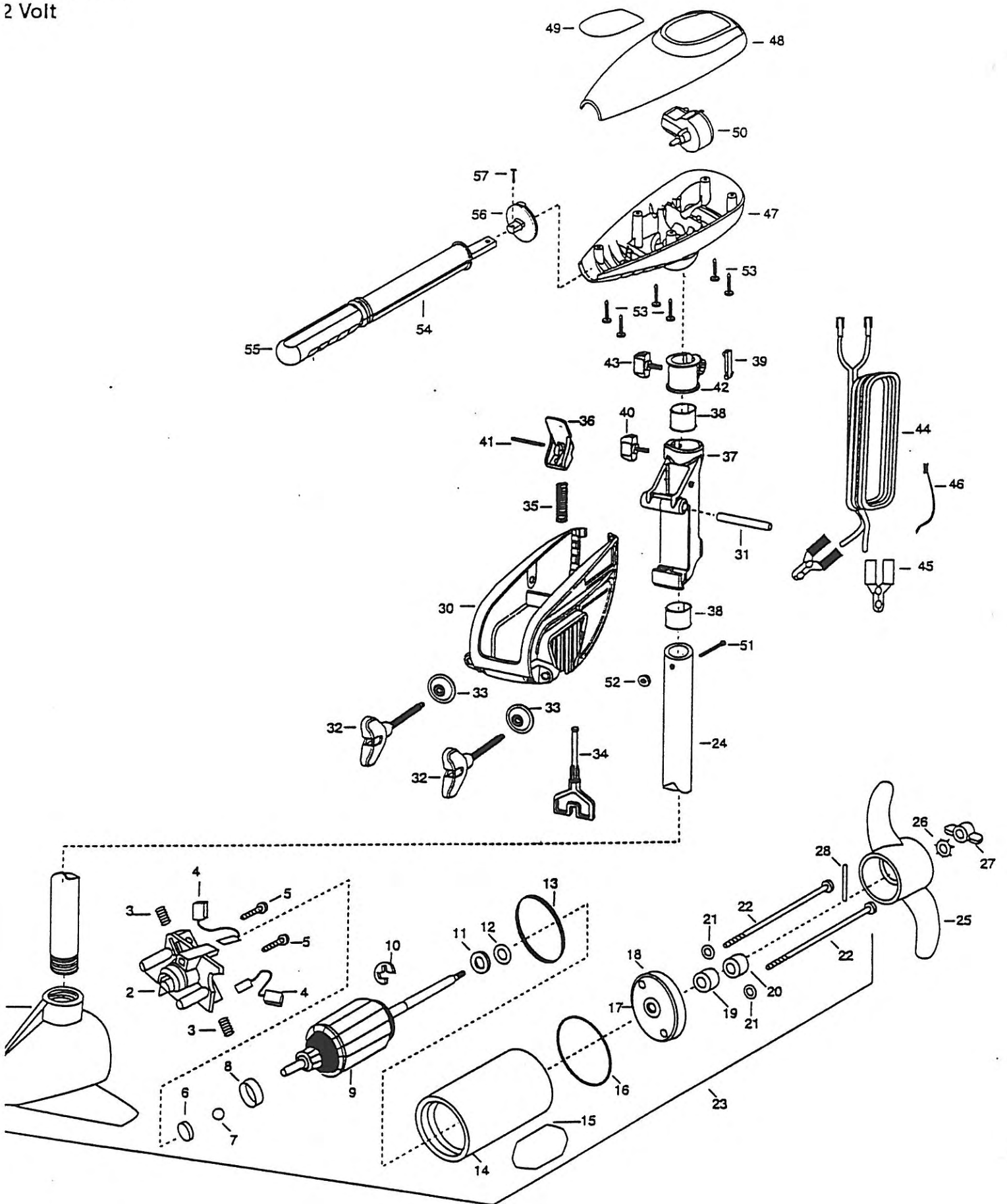


ndura 30
0 lbs Thrust
2 Volt



For any parts ordered from the MINN KOTA parts department, may be by cash, personal check, Discover Card or VISA. To call 1-800-227-8433 or FAX 1-800-527-4464.

ne pas oublier de fournir les numéros de Modèle et de Série de votre Moteur lorsque vous placez une commande. Employez le numéro de pièce exact se trouvant sur la liste des pièces de remplacement.

Não deixe de incluir o número do MODELO e o número de SÉRIE do seu motor ao pedir peças. Sem os números corretos das peças da lista de peças...

- | | | | | | |
|-----|---------|---|-----|---------|------------------------------|
| 1 | 403025 | BRUSH END HOUSING W/POTTED COIL | *31 | 2060510 | PIN-HINGE |
| 2 | 406405 | BRUSH PLATE ASSEMBLY | *32 | 2061300 | SCREW-CLAMP (2 REQ'D) |
| 3 | 406081 | BRUSH SPRING (2 REQ'D) | 33 | 2011710 | WASHER-CLAMP SCREW (2 REQ'D) |
| 4 | 406072 | BRUSH ASSEMBLY (2 REQ'D) | 34 | 2063605 | T-BAR, PLASTIC |
| 5 | 406341 | BRUSH PLATE SCREW (2 REQ'D) | 35 | 2062705 | SPRING- (T-BAR) |
| 6 | 403050 | THRUST DISK | 36 | 2067200 | LEVER-TILT (RED) |
| 7 | 403010 | THRUST BALL | 37 | 2061810 | HINGE-PLASTIC |
| 8 | 406090 | BRUSH HOLDER | 38 | 2037300 | BUSHING-HINGE (2 REQ'D) |
| 9 | 403207 | ARMATURE ASSEMBLY | 39 | 2032800 | TENSION BLOCK-SNAP IN |
| 10 | 405300 | E-RING | 40 | 2061310 | SCREW, TENSION/KNOB |
| 11 | 406170 | THRUST WASHER- STEEL (AS REQ'D) | 41 | 2060515 | PIN, TILT LEVER |
| 12 | 405171 | THRUST WASHER- NYLON (AS REQ'D) | 42 | 2061520 | COLLAR-DEPTH |
| 13 | 403460 | O-RING | 43 | 2011385 | SCREW-TENSION/NEW KNOB |
| 14 | 403257 | CENTER SECTION W/MAGNETS | 44 | 2020600 | LEADWIRE (14 GA) CLIPS |
| 15 | 2006609 | DECAL MOTOR | 45 | 2020721 | CLAMP, ELECTRIC (2 REQ'D) |
| 16 | 406460 | O-RING | 46 | 2026300 | TIE WRAP |
| 17 | 406600 | FLANGE BEARING (SERVICE ONLY) | 47 | 2062510 | CONTROL BOX |
| 18 | 403033 | PLAIN END HOUSING | 48 | 2060209 | CONTROL BOX COVER |
| 19 | 406461 | SEAL | 49 | 2065532 | DECAL COVER ENDURA |
| 20 | 406471 | SEAL- CUP | 50 | 2064023 | SWITCH-FWD/REV 5 SP |
| 21 | 401462 | O-RING —THRU BOLT(2 REQ'D) | 51 | 2033400 | SCREW-10-24 X 1-3/4 |
| 22 | 403354 | THRU BOLT (2 REQ'D) | 52 | 2013110 | NUT-10-24 HEX |
| 23 | 2069060 | MOTOR ASSEMBLY | 53 | 2012100 | SCREW-8-18 X 5/8 (6 REQ'D) |
| 24 | 2032045 | TUBE, COMPOSITE 30" | 54 | 2990901 | HANDLE ASSEMBLY 5 SPEED |
| 25 | 2061125 | PROP 3.25" HUB | *55 | 2060422 | GRIP-HANDLE |
| 26 | 2051700 | LOCKWASHER-PROP (MEDIUM | 56 | 2060405 | PIVOT, HANDLE |
| 27 | 2053100 | NUT-PROP (MEDIUM) | 57 | 2012102 | SCREW |
| 28 | 2092600 | PIN-DRIVE | | | |
| 29 | 2771810 | BRACKET & HINGE ASSY (INCLUDES- 29A—41) | | | |
| 29A | 2771910 | BRACKET & HINGE ASSY (INCLUDES- 30,32,33) | | | |
| *30 | 2061910 | BRACKET-ORDER 29A | | | |

endura 30

PARTS LIST

This item is part of an assembly. This item cannot be sold separately due to machining and /or assembly that is required.

