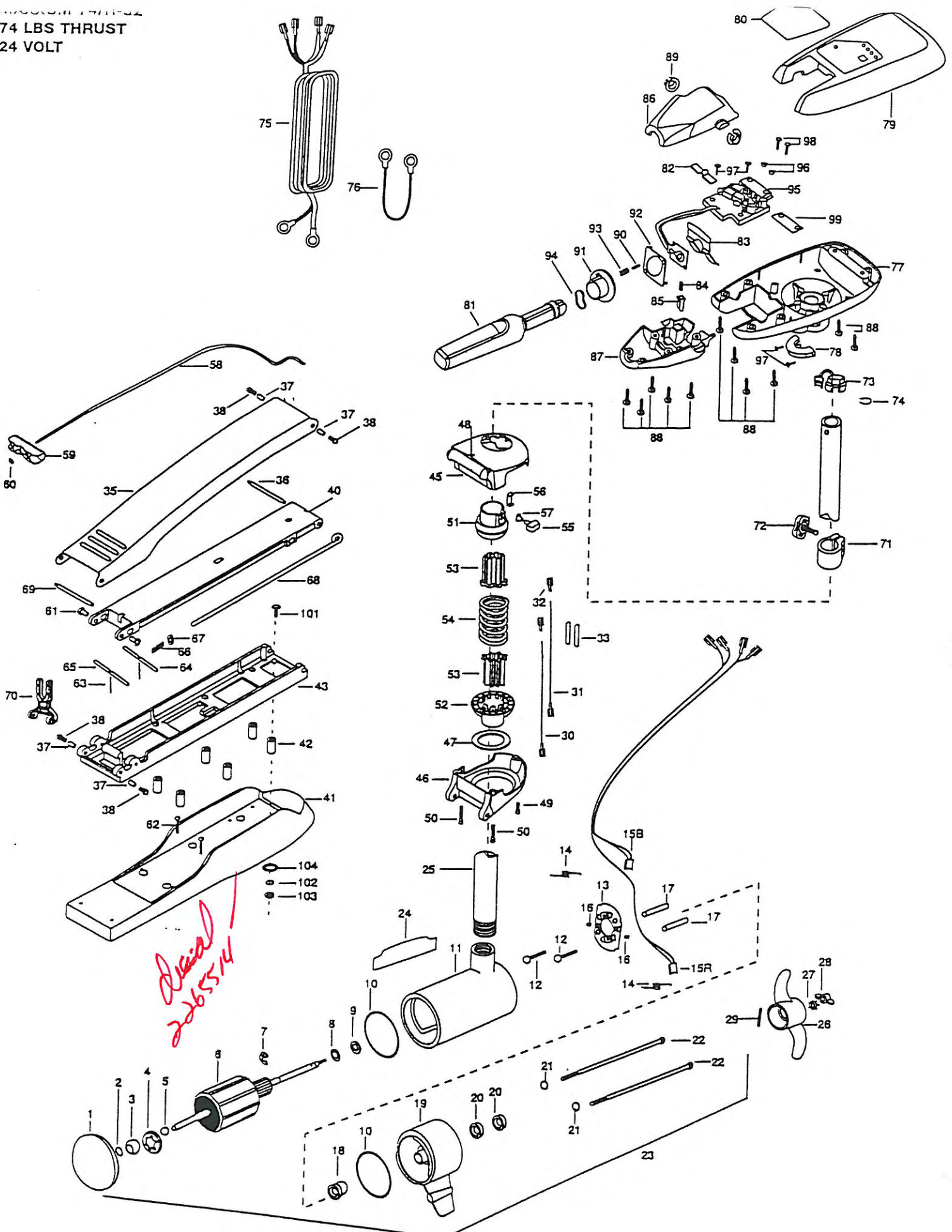


74 LBS THRUST
24 VOLT



For any parts ordered from the MINN KOTA parts department, may be by cash, personal check, MasterCard or VISA. To order, call 227-8433 or FAX 1-800-527-4484.

of votre Moteur lorsque vous placez une commande.
Employez toujours le numéro de pièce exact se trouvant sur la liste des pièces de remplacement.

Use the number of the MODELO e o número de SÉRIE do seu motor ao pedir peças. Sempre use os números corretos das peças da lista de peças.

1	409024	PLAIN ENDBELL	36	2260507	HINGE PIN (THREADED)	70	2283810	YOKE, MAXXUM MOUNT
2	406050	THRUST DISC	37	2293501	BUSHING (4 REQ'D)	71	2031520	COLLAR-DEPTH (W/O INSERT)
3	409800	SPHERICAL BEARING	38	2263500	BOLT, SHOULDER (4 REQ'D)	72	2011365	SCREW-COLLAR/NEW KNOB
4	409301	BEARING RETAINER	39	2774312	LOWER ARM ASSEMBLY (INCL. 40, 58, 59, 60, 63, 64, 65, 66, 67, 68)	73	2332900	STRAIN RELIEF-COIL CORD
5	405010	BALL	40	2264315	ARM-LOWER FW (52")	74	2303001	RING-PIG
6	410203	ARMATURE ASSEMBLY	41	2999265	MOTOR REST ASSEMBLY LONG	75	2330600	LEADWIRE (10 GA-4) (RINGS)
7	409300	E-RING	42	2261505	SPACER- MOTOR REST (8 REQ'D)	76	2340610	CONNECTOR CABLE- (12")
8	409170	THRUST WASHER- STEEL (AS REQ'D)	43	2251972	BOW PLATE, LONG	77	2062582	CONTROL BOX
9	409171	THRUST WASHER- NYLON (AS REQ'D)	44	2771834	BRACKET ASSEMBLY W/INSERT (INCL. 45, 46, 47, 48, 49, 50, 51, 52, 53, 54, 55, 56, 57)	78	2081510	COLLAR-CONTROL BOX
10	409460	O-RING (2 REQ'D)	*45	2261837	BRACKET BASE-TOP	79	2260290	CONTROL BOX COVER
11	409257	CENTER SECTION W/MAGNETS	*46	2262040	BRACKET BASE BOTTOM	80	2265535	DECAL COVER, MAXXUM 74/H
12	405341	BRUSH PLATE SCREW (2 REQ'D)	*47	2261531	BEARING- BOWGUARD	81	2990915	HANDLE ASSEMBLY W/O U-JOINT
13	409401	BRUSH PLATE ASSEMBLY	*48	2232351	EYELET-ROPE	82	2302742	SPRING-DETENT OFF
14	408083	BRUSH SPRING (2 REQ'D)	*49	2263402	SCREW 1/4-20 X 3/4	83	2302743	SPRING-DETENT, HANDLE-TILT
15B	409074	BRUSH ASSEMBLY- BLACK (48")	*50	2263420	BOLT 1/4-20 X 2 (2 REQ'D)	84	2302745	SPRING-RELEASE BUTTON
15R	409073	BRUSH ASSEMBLY- RED (48")	*51	2261520	SPRING-SLEEVE UPPER	85	2303720	RELEASE BUTTON-HANDLE
16	409343	BRUSH SET SCREW (2 REQ'D)	*52	2261532	SPRING SLEEVE LWR	86	2060411	HANDLE (TOP HALF)
17	405151	BRUSH PLATE SPACER (2 REQ'D)	*53	2264700	INSERT-TUBE (2 PER) (2 REQ'D)	87	2060415	HANDLE (LOWER HALF)
18	408000	FLANGE BEARING (SERVICE ONLY)	*54	2262704	SPRING, BOWGUARD	88	2303412	SCREW-6-20 X 5/8 SELF TAP (11 REQ'D)
19	409033	BRUSH END HOUSING	55	2011385	SCREW-TENSION/NEW KNOB	89	2060005	BEARING-HANDLE PIVOT (2 REQ'D)
20	409461	SEAL (2 REQ'D)	56	2262800	TENSION BLOCK -ALUM	90	2302600	PIN-ACTUATOR
21	409462	O-RING- THRU BOLT (2 REQ'D)	*57	2263100	NUT-1/4-20 INSERT	91	2302850	ACTUATOR-CAM
22	409342	THRU BOLT (2 REQ'D)	58	2251601	ROPE (40"), MAXXUM MOUNT	92	2302851	ACTUATOR- FWD/REV
23	2317036	MOTOR ASSEMBLY (52")	59	2150400	PULL-GRIP	93	2302740	SPRING- (ACTUATOR)
24	2006601	DECAL--MAXXUM	60	2151700	WASHER-EYE SHAFT(.562 OD)	94	2302741	SPRING-CAM
25	2032081	TUBE-52"	61	2236000	BEARING NYLINER (2 REQ'D)	95	2344005	CONTROL BOARD ASSEMBLY
26	2331120	PROPELLER	62	2373434	SCREW-8-18 X 1 (2 REQ'D)	96	2301710	WASNER-INSUL. (2 REQ'D)
27	2091700	LOCKWASHER	63	2152810	SPRING-PIN (LOCKBAR) (2 REQ'D)	97	2372100	SCREW-8-18 X 5/8 (4 REQ'D)
28	2093100	NUT- PROP	64	2233600	LOCK BAR- (BOW MOUNT)	98	2301310	SCREW-8-18 X 1/2 (2 REQ'D)
29	2092600	PIN- DRIVE	65	2233802	LOCK BAR- (REAR)	99	2365105	INSULATED PAD
30	2030317	WIRE EXTENSION-18" - RED (2 REQ'D)	66	2152700	SPRING- (LOCKBAR)	100	2994830	BAG ASSY-MAXXUM FRESNW
31	2030316	WIRE EXTENSION-18" - BLACK (2REQ'D)	67	2151700	WASHER-EYE SHAFT	*101	2263431	SCREW 1/4-20 X 3.5 (6 REQ'D)
32	2030710	CONNECTOR- BUTT (4 REQ'D)	68	2153605	EYE SHAFT	*102	2261713	WASHER-1/4 FLAT (6 REQ'D)
33	2375400	SHRINK TUBE-1/4 X 1-3/4 (4 REQ'D)	69	2260506	HINGE-PIN (HEADLESS) ZINC	*103	2303115	NUT-1/4-20 (6 REQ'D)
34	2771984	MOUNT, BOW ASSEMBLY LONG				*104	2301720	WASHER-MOUNTING RUBBER (6 REQ'D)
35	2264216	ARM- UPPER LONG				*105	2263435	SCREW 1/4-20 X 3.5 (2REQ'D)

MAXXUM 74/H - 52"

* This item is part of an assembly. This item cannot be sold separately due to machining and /or assembly that is required.

