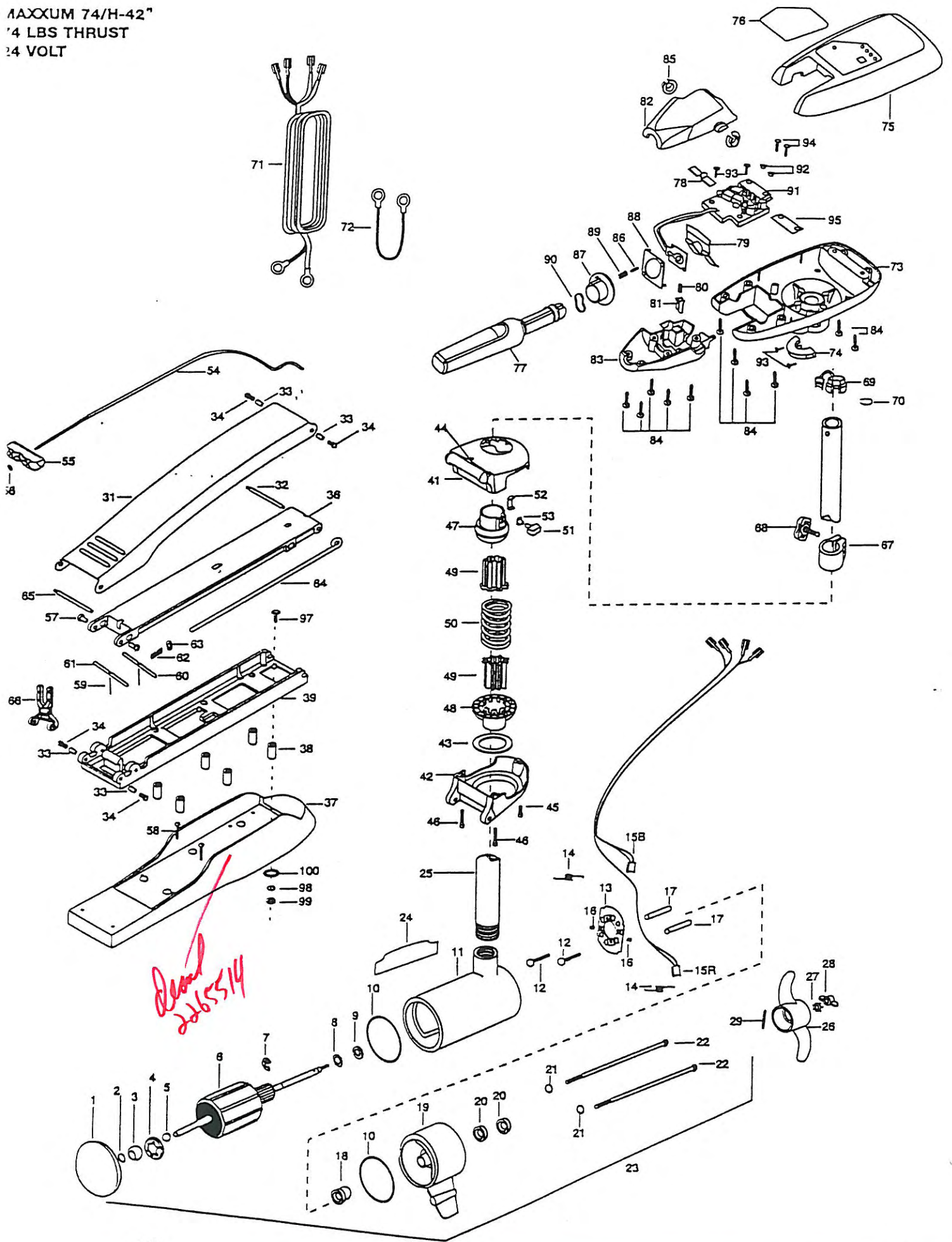


MAXXUM 74/H-42"
14 LBS THRUST
24 VOLT



*Donal
2065514*

numbers of your motor when ordering parts. Please use the correct part numbers from the parts list. Payment for any parts ordered from MINN KOTA parts department, may be by cash, personal check, MasterCard or VISA. To order, call 1-800-227-8433 or FAX 1-800-527-4464.

ne pas oublier de fournir les numéros de Modèle et de Série de votre Moteur lorsque vous placez une commande. Employez toujours le numéro de pièce exact se trouvant sur la list des pièces de remplacement.

deixe de incluir o número do MODELO e o número de SÉRIE do seu motor ao pedir peças. Sempre use números corretos das peças da lista de peças.

1	409024	PLAIN ENDBELL	36	2264302	ARM-LOWER FW (42" SHAFT)	72	2340610	CONNECTOR CABLE- (12")
2	406050	THRUST DISC	37	2999266	MOTOR REST ASSEMBLY (42" SHAFT)	73	2082582	CONTROL BOX
3	409600	SPHERICAL BEARING	38	2261505	SPACER- MOTOR REST (6 REQ'D)	74	2061510	COLLAR-CONTROL BOX
4	409301	BEARING RETAINER	39	2251962	BOW PLATE (42" SHAFT)	75	2260290	CONTROL BOX COVER
5	405010	BALL	40	2261057	BRACKET ASSEMBLY W/INSERT (INCL 41-53)	76	2265535	DECAL COVER, MAXXUM 74/H
6	410203	ARMATURE ASSEMBLY	*41	2771934	BRACKET BASE-TOP	77	2990915	HANDLE ASSEMBLY W/O U-JOINT
7	409300	E-RING	*42	2262040	BRACKET BASE BOTTOM	78	2302742	SPRING-DETENT OFF
8	409170	THRUST WASHER- STEEL (AS REQ'D)	*43	2261531	BEARING - BOWGUARD	79	2302743	SPRING-DETENT, HANDLE-TILT
9	409171	THRUST WASHER- NYLON (AS REQ'D)	*44	2232351	EYELET-ROPE	80	2302745	SPRING-RELEASE BUTTON
10	409460	O-RING (2 REQ'D)	*45	2263402	SCREW 1/4-20 X 3/4	81	2303720	RELEASE BUTTON-HANDLE
11	409257	CENTER SECTION W/MAGNETS	*46	2263420	BOLT 1/4-20 X 2 (2 REQ'D)	82	2060411	HANDLE (TOP HALF)
12	405341	BRUSH PLATE SCREW (2 REQ'D)	*47	2261520	SPRING-SLEEVE UPPER	83	2060415	HANDLE (LOWER HALF)
13	409401	BRUSH PLATE ASSEMBLY	*48	22615302	SPRING SLEEVE LWR	84	2303412	SCREW-6-20 X 5/8 SELF TAP (11 REQ'D)
14	406083	BRUSH SPRING (2 REQ'D)	*49	2264700	INSERT-TUBE (2 PER) (2 REQ'D)	85	2060005	BEARING-HANDLE PIVOT (2 REQ'D)
15B	409072	BRUSH ASSEMBLY- BLACK (42")	*50	2262704	SPRING, BOWGUARD	86	2302600	PIN-ACTUATOR
15R	409071	BRUSH ASSEMBLY- RED (42")	51	2011385	SCREW-TENSION/NEW KNOB	87	2302850	ACTUATOR-CAM
16	409343	BRUSH SET SCREW (2 REQ'D)	52	2262800	TENSION BLOCK -ALUM	88	2302851	ACTUATOR- FWD/REV
17	405151	BRUSH PLATE SPACER (2 REQ'D)	*53	2263100	NUT-1/4-20 INSERT	89	2302740	SPRING- (ACTUATOR)
18	409000	FLANGE BEARING (SERVICE ONLY)	54	2251601	ROPE (40") MAXXUM MOUNT	90	2302741	SPRING-CAM
19	409033	BRUSH END HOUSING	55	2150400	PULL-GRIP	91	2344005	CONTROL BOARD ASSEMBLY
20	409461	SEAL (2 REQ'D)	56	2151700	WASHER-EYE SHAFT(.562 OD)	92	2301710	WASNER-INSUL. (2 REQ'D)
21	409462	O-RING- THRU BOLT (2 REQ'D)	57	2236000	BEARING NYLINER (2 REQ'D)	93	2372100	SCREW-8-18 X 5/8 (4 REQ'D)
22	409342	THRU BOLT (2 REQ'D)	58	2373434	SCREW-8-18 X 1 (2 REQ'D)	94	2301310	SCREW-8-18 X 1/2 (2 REQ'D)
23	2317030	MOTOR ASSEMBLY (42")	59	2152610	SPRING-PIN (LOCKBAR) (2 REQ'D)	95	2365105	INSULATED PAD
24	2006601	DECAL--MAXXUM	60	2233600	LOCK BAR- (BOW MOUNT)	96	2994830	BAG ASSY-MAXXUM FRESNW
25	2032082	TUBE-42"	61	2233602	LOCK BAR-REAR	*97	2263431	SCREW 1/4-20 X 3.5 (6 REQ'D)
26	2331120	PROPELLER	62	2152700	SPRING- (LOCKBAR)	*98	2261713	WASHER-1/4 FLAT (6 REQ'D)
27	2091700	LOCKWASHER	63	2151700	WASHER-EYE SHAFT	*99	2263102	NUT-1/4-20 (6 REQ'D)
28	2093100	NUT- PROP	64	2153603	EYE SHAFT (42" SHAFT)	*100	2301720	WASHER-MOUNTING RUBBER (6 REQ'D)
29	2092600	PIN- DRIVE	65	2260506	HINGE-PIN (HEADLESS) ZINC	*101	2263435	SCREW 1/4-20 X 3.5 (2 REQ'D)
30	2771985	MOUNT, BOW ASSEMBLY (42" SHAFT)	66	2293810	YOKE, MAXXUM MOUNT			
31	2264206	ARM-UPPER (42" SHAFT)	67	2031520	COLLAR-DEPTH (W/O INSERT)			
32	2260507	HINGE PIN (THREADED)	68	2011365	SCREW-COLLAR/NEW KNOB			
33	2293501	BUSHING (4 REQ'D)	69	2332900	STRAIN RELIEF-COIL CORD			
34	2263500	BOLT, SHOULDER (4 REQ'D)	70	2303001	RING-PIG			
35	2774311	LOWER ARM ASSEMBLY (INCL 36, 54, 55, 56, 59, 60, 61, 62, 63, 64)	71	2330600	LEADWIRE (10 GA-4) (RINGS)			

* This Item is part of an assembly. This item cannot be sold separately due to machining and /or assembly that is required.

PARTS LIST MAXXUM 74/H - 42"

